

Florida Building Code Product Approval
FL14752.1-R3 Impact 12'0" x 8'0" Outswing, Full Lite DP50

FL #	FL14752-R3						
Application Type	Revision						
Code Version	2010						
Application Status	Approved						
	*Approved by DBPR. Approvals by DBPR shall be reviewed and ratified by the POC and/or the Commission if necessary.						
Comments							
Archived	<input type="checkbox"/>						
Product Manufacturer	Nan Ya Plastics Corporation USA						
Address/Phone/Email	8989 North Loop East Houston, TX 77029 (713) 674-7822 Ext 105 ajen96@yahoo.com.tw						
Authorized Signature	RUSKIN WU ajen96@yahoo.com.tw						
Technical Representative	Ruskin Wu						
Address/Phone/Email	8989 North Loop East Houston, TX 77029-1217 (713) 674-7822 Ext 105 ajen96@yahoo.com.tw						
Quality Assurance Representative							
Address/Phone/Email							
Category	Exterior Doors						
Subcategory	Swinging Exterior Door Assemblies						
Compliance Method	Certification Mark or Listing						
Certification Agency	National Accreditation & Management Institute						
Validated By	National Accreditation & Management Institute,						
Referenced Standard and Year (of Standard)	<table border="0"> <thead> <tr> <th><u>Standard</u></th> <th><u>Year</u></th> </tr> </thead> <tbody> <tr> <td>AAMA/NWWDA 101/I.S.2</td> <td>1997</td> </tr> <tr> <td>AAMA/WDMA</td> <td>2002</td> </tr> </tbody> </table>	<u>Standard</u>	<u>Year</u>	AAMA/NWWDA 101/I.S.2	1997	AAMA/WDMA	2002
<u>Standard</u>	<u>Year</u>						
AAMA/NWWDA 101/I.S.2	1997						
AAMA/WDMA	2002						

Florida Building Code Product Approval
FL14752.1-R3 Impact 12'0" x 8'0" Outswing, Full Lite DP50

	101/I.S.2/NAFS AAMA/WDMA/CSA 101/I.S.2/A440 ASTM E1886 ASTM E1886 ASTM E1996 ASTM E1996 ASTM E1996 ASTM E1996 ASTM E330	2008 2005 2002 2002 2005 2006 2002
Equivalence of Product Standards Certified By		
Product Approval Method	Method 1 Option A	
Date Submitted	10/22/2014	
Date Validated	11/24/2014	
Date Pending FBC Approval		
Date Approved	11/25/2014	

FL #	Model, Number or Name	Description
14752.1	12080 SLPS Outswing Patio Door	12080 SLPS Outswing Patio Door - Impact
Limits of Use Approved for use in HVHZ: No Approved for use outside HVHZ: Yes Impact Resistant: Yes Design Pressure: +50/-50 Other:		Certification Agency Certificate FL14752_R3_C_CAC_NI011029.01-R1.pdf Quality Assurance Contract Expiration Date 03/31/2016 Installation Instructions FL14752_R3_II_08-02135A.pdf Verified By: Luis Roberto Lomas 62514 Created by Independent Third Party: Yes Evaluation Reports FL14752_R3_AE_512849A.pdf Created by Independent Third Party: Yes

NOTICE OF PRODUCT CERTIFICATION



CERTIFICATION NO: NI011029.01-R1
DATE: 03/29/2012
CERTIFICATION PROGRAM: Structural
COMPANY: Nan Ya Plastics
CODE: 661-1
REVISION DATE: 04/16/2014

To verify that the "Notice of Product Certification" is valid, please visit www.NAMICertification.com to assure that the product is active and currently listed. This certification represents product conformity to the applicable specification and that certification criteria has been satisfied. A NAMI approved certification label must be applied to the product to claim certification status. Please review and advise NAMI if any corrections are required to this document.

COMPANY NAME AND ADDRESS	PRODUCT DESCRIPTION
<p>Nan Ya Plastics Corp. USA/Neuma Doors 8989 North Loop East Houston, TX 77029</p>	<p style="text-align: center;">Series "SLPS 8'0" Height Out-Swing Patio Door" Fiberglass Side-Hinged Door with Sidelites</p> <p style="text-align: center;">Configuration: OXXO Glazing: IG-1/8" Tempered Glass/Laminate-1/8" Tempered Glass/0.090" DuPont PVB Interlayer/1/8" Tempered Glass</p> <p>Frame: W-3635mm(143.13") H-2426mm(95.50") Panel: W-876mm(34.50") H-2370mm(93.32") DLO: W-533mm(21.00") H-2007mm(79.00")</p>

SPECIFICATION	PRODUCT RATING
<p>AAMA/WDMA/CSA 101/I.S.2/A440-08 ASTM E1886-02/04/05/E1996-04/06/09</p>	<p style="text-align: center;">Class R-PG50 3635 x 2426 (144 x 96)-SHD Design Pressure: +50/-50 psf Wind Zone 4 - Missile Level D</p> <p style="text-align: center;"><small>Qualifies Configurations: O/X/OX/XO/OXO/XX/OXX/XXO/OXXO</small></p>

Product Tested By: National Certified Testing Laboratories
 Report No: NCTL-210-3798-2
 Expiration Date: **March 31, 2016**

Administrator's Signature: _____

NATIONAL ACCREDITATION AND
MANAGEMENT INSTITUTE, INC.
4794 George Washington Memorial Highway
Hayes, VA 23072
Tel: (804) 684-5124/ Fax: (804) 684-5122

L. Roberto Lomas P.E.

233 W. Main St.
Danville, VA 24541
434-688-0609
rlomas@lrlomaspe.com

Engineering Evaluation Report

Report No.: 512849A

Manufacturer: Nan Ya Plastics Corporation
8989 North Loop East
Houston, TX 77029

Product Line: 12080 SLPS Outswing Patio Door - Impact

Compliance:

The above mentioned product has been evaluated for compliance with the requirements of the Florida Department of Business and Professional Regulation for Statewide Acceptance per Rule 61G20-3.005 method 1(a). The product listed herein complies with requirements of the Florida Building Code.

Supporting Technical Documentation:

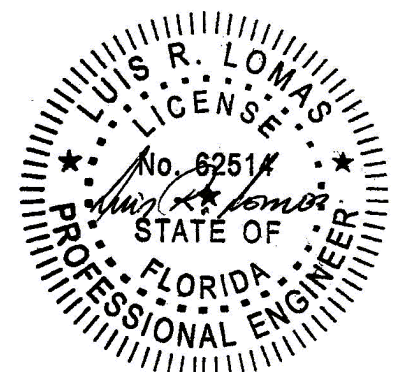
1. Approval document: drawing number 08-02135 Revision A, prepared, signed and sealed by Luis Roberto Lomas P.E.
2. Report No.: NCTL-210-3798-2 signed and sealed by Gerard Ferrara P.E.
National Certified Testing Laboratories, Orlando, FL
AAMA/WDMA/CSA 101/I.S.2/A440-08
Design pressure: ± 70.0 psf
Water penetration resistance 10.5psf
ASTM E1886-02/04/05 and ASTM E1996-04/06/09
ASTM E1886/ E1996 Large Missile Impact, Level D, Wind Zone 4
ASTM E1886/ E1996 Cyclic Load Test, ± 70.0 psf design pressure
3. Anchor calculations, report number 512849-1, prepared, signed and sealed by Luis Roberto Lomas P.E.

Limitations and Conditions of use:

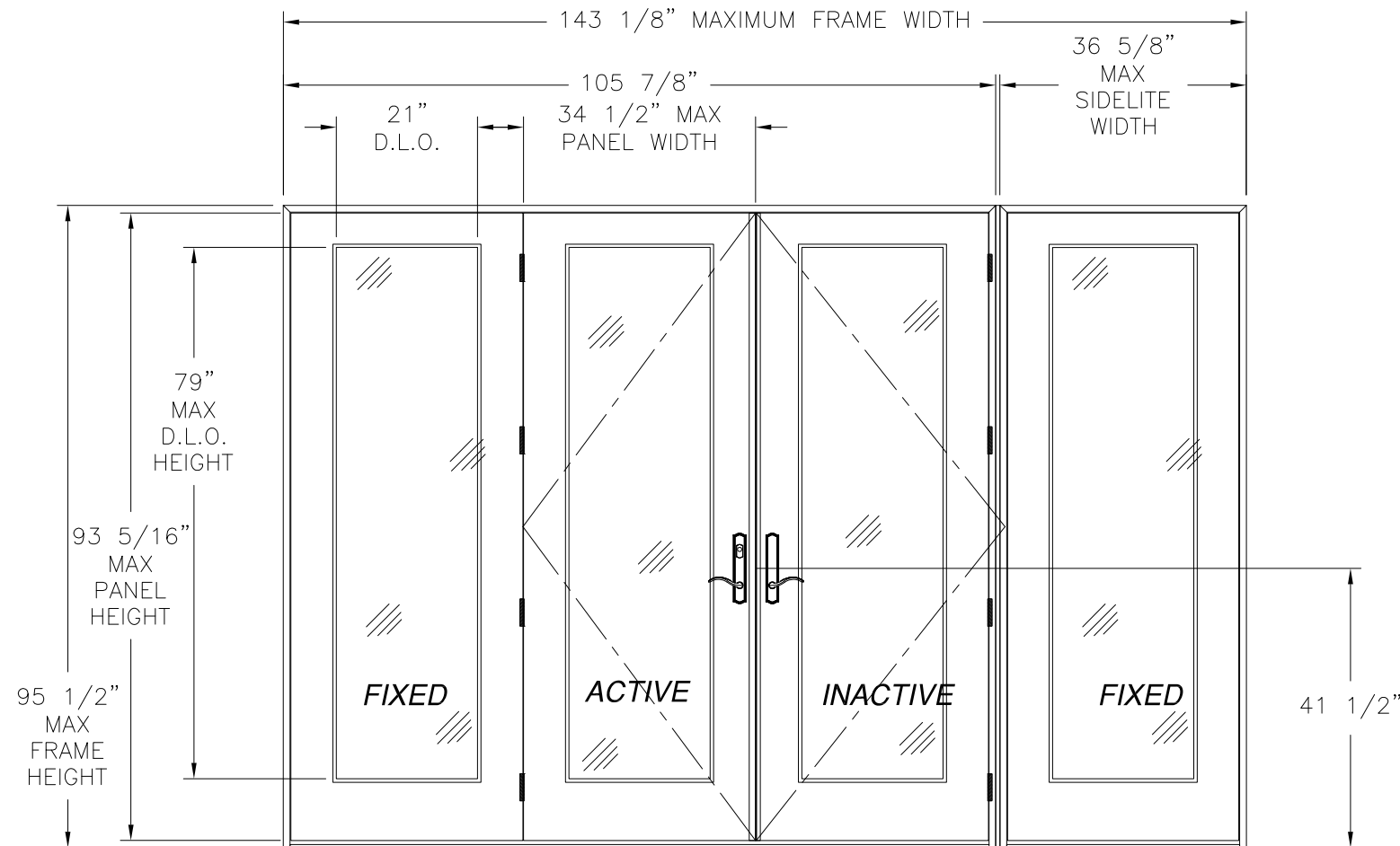
- Maximum design pressure: ± 50.0 psf
- Maximum unit size: 143 1/8" x 95 1/2"
- Units must be glazed per ASTM E 1300-04, see installation instructions for glass options.
- This product is not rated to be used in the HVHZ.
- This product is impact resistant and does not require impact protection in wind borne debris regions.

Installation: Units must be installed in accordance with approval document, 08-02135 Revision A.

Certification of Independence: Please note that I don't have nor will acquire a financial interest in any company manufacturing or distributing the product(s) for which this report is being issued. Also, I don't have nor will acquire a financial interest in any other entity involved in the approval process of the listed product(s).



REVISIONS			
REV	DESCRIPTION	DATE	APPROVED
A	ADDED EDGE DISTANCES	11/05/14	R.L.



NOTES:

1. THE PRODUCT SHOWN HEREIN IS DESIGNED AND MANUFACTURED TO COMPLY WITH REQUIREMENTS OF THE FLORIDA BUILDING CODE.
2. WOOD FRAMING AND MASONRY OPENING TO BE DESIGNED AND ANCHORED TO PROPERLY TRANSFER ALL LOADS TO STRUCTURE. FRAMING AND MASONRY OPENING IS THE RESPONSIBILITY OF THE ARCHITECT OR ENGINEER OF RECORD.
3. 1X BUCK OVER MASONRY/CONCRETE IS OPTIONAL. WHERE 1X BUCK IS NOT USED DISSIMILAR MATERIALS MUST BE SEPARATED WITH APPROVED COATING OR MEMBRANE. SELECTION OF COATING OR MEMBRANE IS THE RESPONSIBILITY OF THE ARCHITECT OR ENGINEER OF RECORD.
4. UNITS MUST BE GLAZED PER ASTM E1300-04, SEE SHEET 5 FOR GLASS OPTIONS.
5. APPROVED IMPACT PROTECTIVE SYSTEM IS NOT REQUIRED FOR THIS PRODUCT IN WIND BORNE DEBRIS REGIONS.
6. FRAME JAMB AND HEAD MATERIAL: CO-EXTRUDED PVC FOAM 1 1/2" THICK.
7. FRAME SILL MATERIAL: CO-EXTRUDED PVC FOAM 2" THICK WITH ALUMINUM CLADDING .063" THICK.
8. DOOR PANEL AND SIDELITE MATERIAL: .075" THICK FIBERGLASS SKIN WITH PVC FOAM TOP AND BOTTOM RAILS, AND PVC FOAM VERTICAL STILES WITH PINE REINFORCEMENTS AND POLYURETHANE FOAM CORE.
9. APPROVED CONFIGURATIONS: O, X, OX, XO, XX, OXO, XXO, OXX AND OXXO. SEE SHEET 2.
10. HINGES LOCATED AT 8", 33 1/2", 59" AND 84 1/2" FROM BOTTOM OF PANEL

SERIES SLPS 8'0 HEIGHT OUT-SWING PATIO DOOR W/ SIDELITES
EXTERIOR VIEW

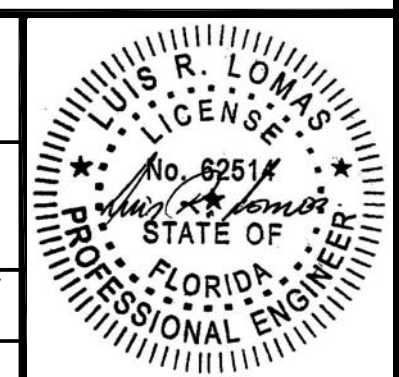
DESIGN PRESSURE RATING	IMPACT RATING
±50.0PSF	LARGE AND SMALL MISSILE IMPACT

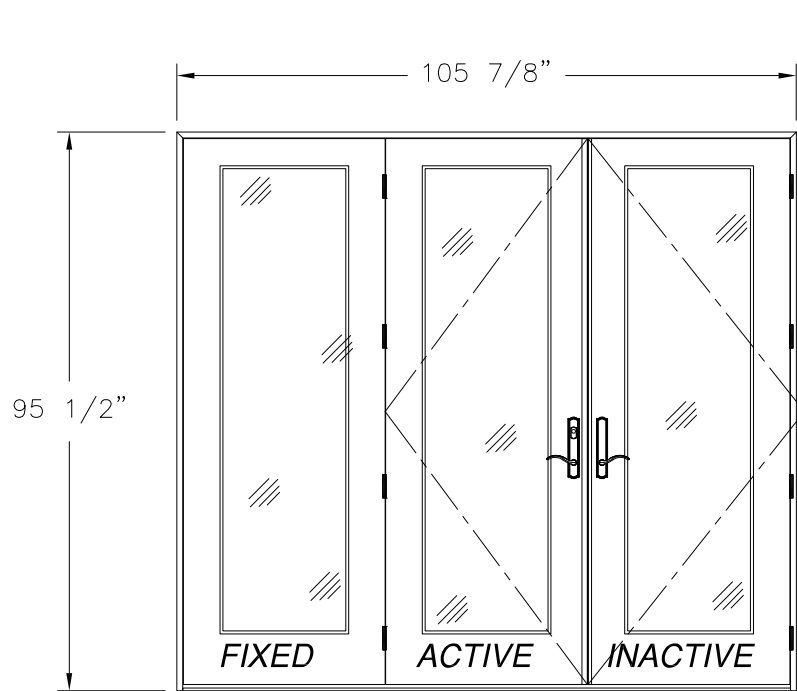
MISSILE LEVEL D, WIND ZONE 4

SIGNED: 11/05/2014

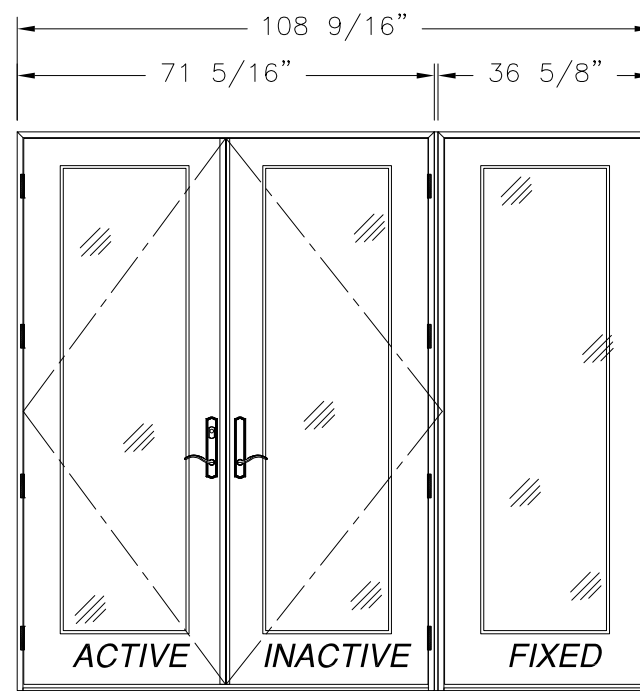
TABLE OF CONTENTS	
SHEET NO.	DESCRIPTION
1, 2	ELEVATION AND NOTES
3, 4	ANCHORING LAYOUTS
5 - 9	INSTALLATION DETAILS

<p>NAN YA PLASTICS CORP. USA 8989 NORTH LOOP EAST HOUSTON, TX 77029</p>		
<p>SERIES SLPS 8'0" HEIGHT OS PATIO DOOR FIBERGLASS SIDE HINGED DOOR W/ SIDELITES ELEVATION AND NOTES</p>		
DRAWN: V.L.	DWG NO. 08-02135	REV A
SCALE NTS	DATE 07/11/13	SHEET 1 OF 9

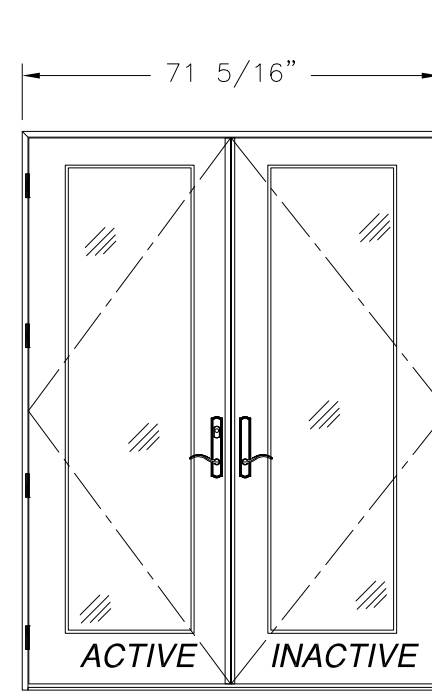




DOUBLE W/SIDELITE
EXTERIOR VIEW

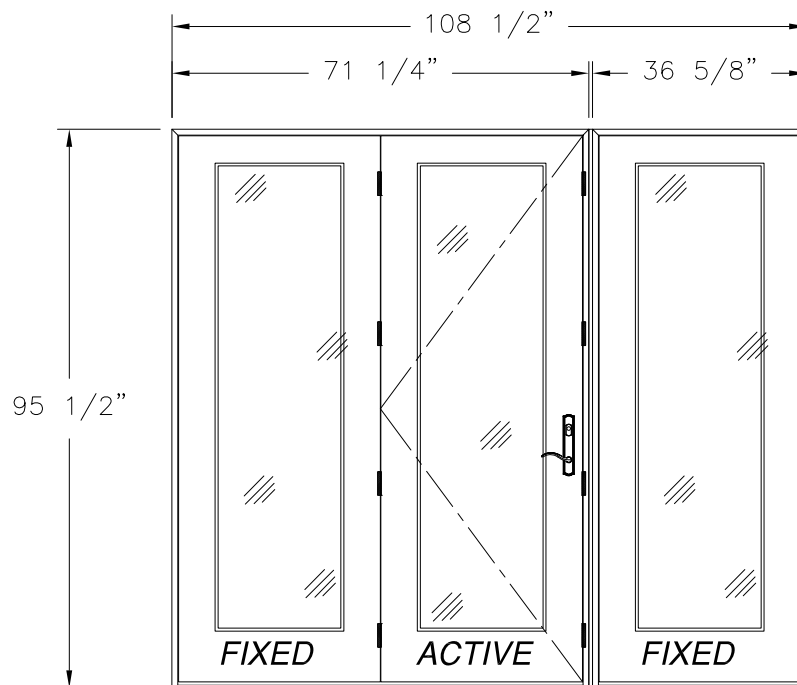


DOUBLE W/SIDELITE (MULL)
EXTERIOR VIEW

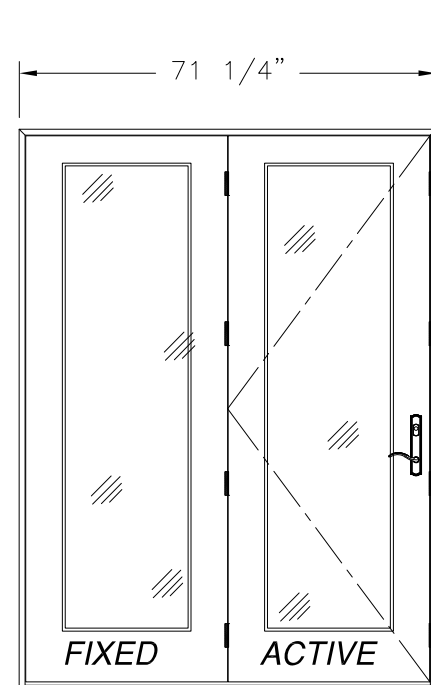


DOUBLE
EXTERIOR VIEW

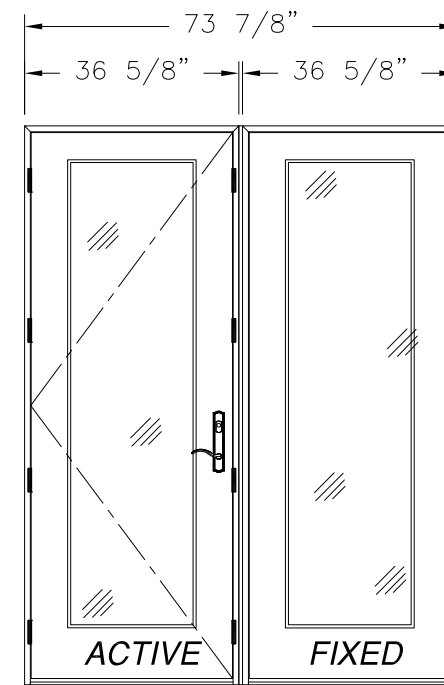
REVISIONS			
REV	DESCRIPTION	DATE	APPROVED
A	ADDED EDGE DISTANCES	11/05/14	R.L.



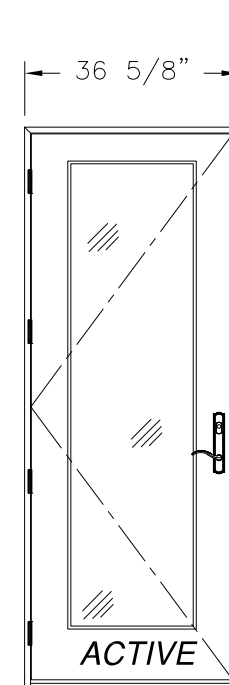
SINGLE W/SIDELITE (MULL)
EXTERIOR VIEW



SINGLE W/SIDELITE
EXTERIOR VIEW



SINGLE W/SIDELITE (MULL)
EXTERIOR VIEW



SINGLE
EXTERIOR VIEW

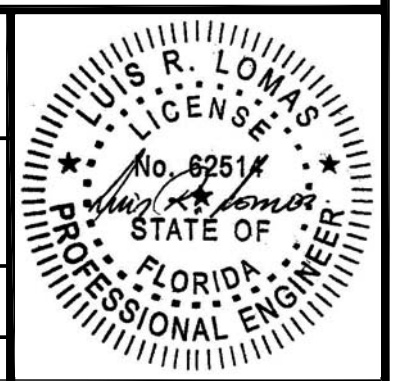
NOTE:
ALL APPROVED CONFIGURATIONS ARE SHOWN AS LEFT
HAND ACTIVE, RIGHT HAND ACTIVE IS ALSO APPROVED.

SIGNED: 11/05/2014

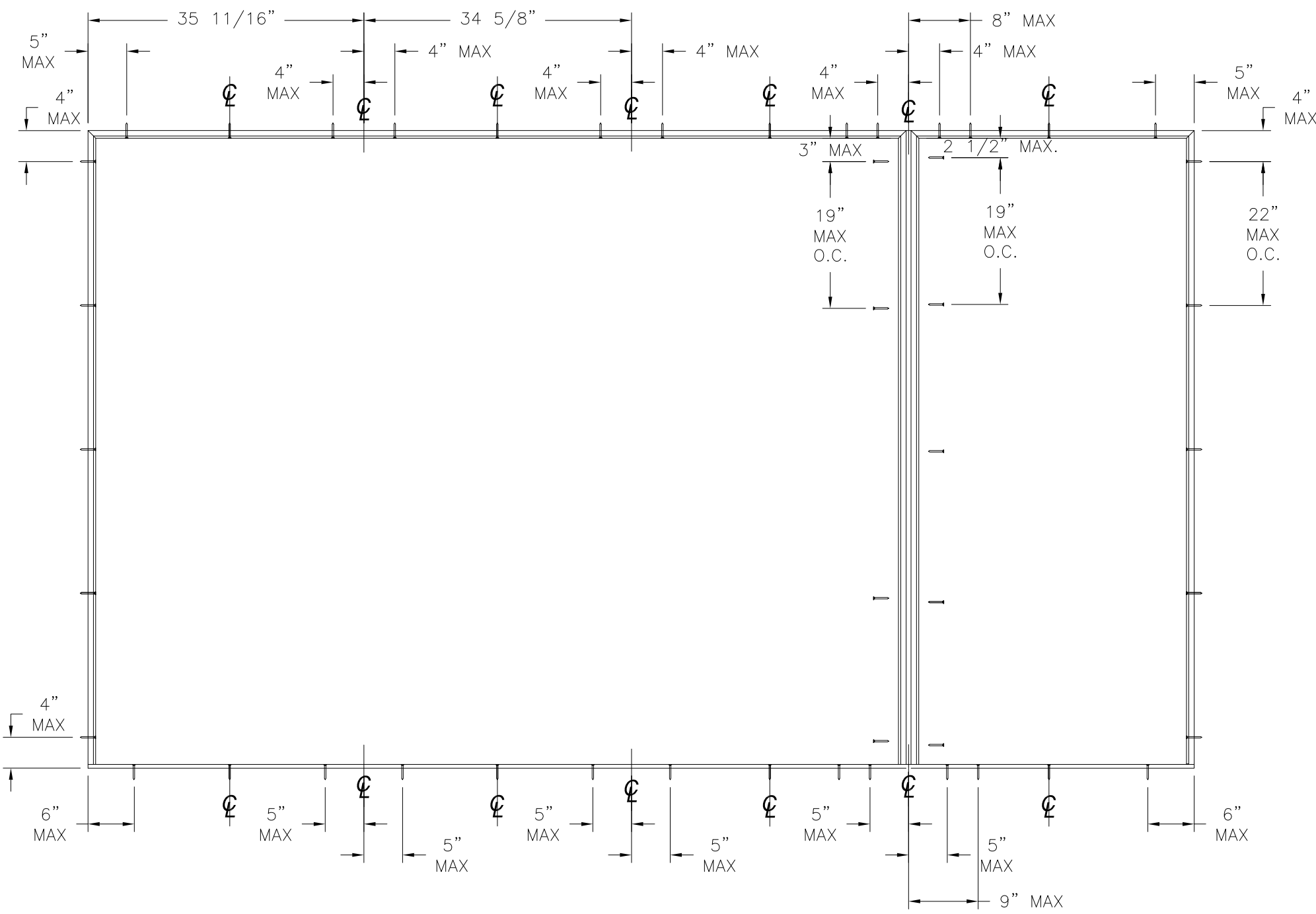
NAN YA PLASTICS CORP. USA
8989 NORTH LOOP EAST
HOUSTON, TX 77029

SERIES SLPS 8'0" HEIGHT OS PATIO DOOR
FIBERGLASS SIDE HINGED DOOR W/ SIDELITES
APPROVED ELEVATIONS

DRAWN: V.L.	DWG NO. 08-02135	REV A
SCALE NTS	DATE 07/11/13	SHEET 2 OF 9



REVISIONS			
REV	DESCRIPTION	DATE	APPROVED
A	ADDED EDGE DISTANCES	11/05/14	R.L.



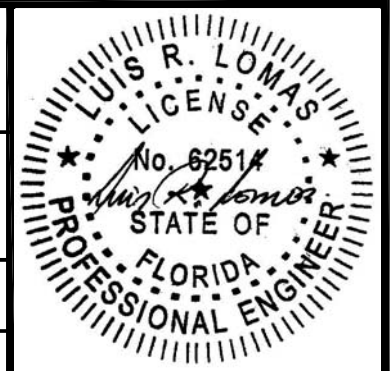
ANCHORING NOTES:

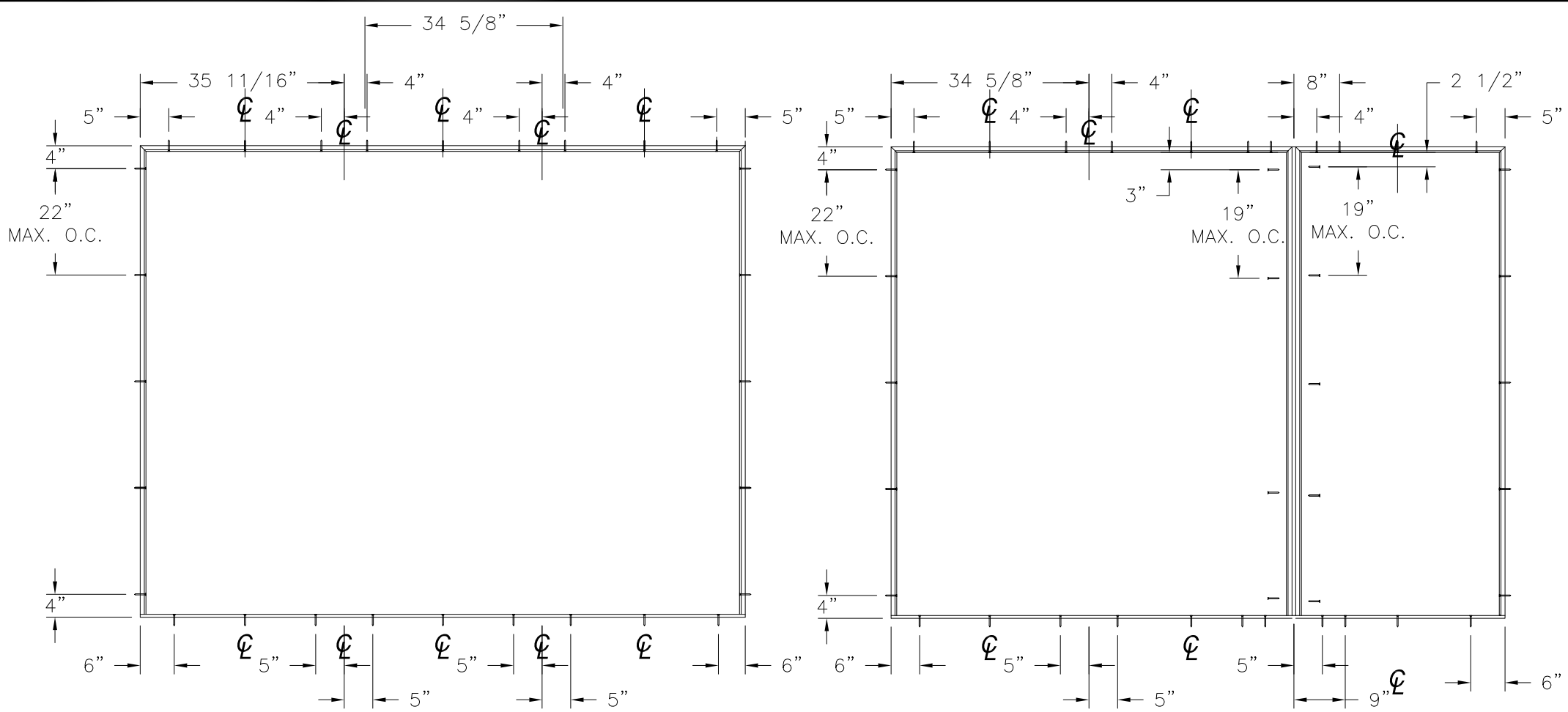
- 1) SHIM AS REQUIRED AT EACH INSTALLATION ANCHOR WITH LOAD BEARING SHIM. SHIM WHERE SPACE OF 1/16" OR GREATER OCCURS. MAXIMUM ALLOWABLE SHIM STACK TO BE 1/4".
- 2) FOR ANCHORING INTO MASONRY/CONCRETE USE 3/16" TAPCON OF SUFFICIENT LENGTH TO ACHIEVE A 1 1/4" MINIMUM EMBEDMENT INTO SUBSTRATE. LOCATE ANCHORS AS SHOWN IN ANCHORING LAYOUT AND INSTALLATION DETAILS.
- 3) FOR ANCHORING INTO 2X BUCK OR WOOD FRAMING USE #10 WOOD SCREW OF SUFFICIENT LENGTH TO ACHIEVE A 1 3/8" MINIMUM EMBEDMENT INTO SUBSTRATE. LOCATE ANCHORS AS SHOWN IN ANCHORING LAYOUT AND INSTALLATION DETAILS.
- 4) ALL FASTENERS TO BE CORROSION RESISTANT.
- 5) INSTALLATION ANCHORS SHALL BE INSTALLED IN ACCORDANCE WITH ANCHOR MANUFACTURER'S INSTALLATION INSTRUCTIONS, AND ANCHORS SHALL NOT BE USED IN SUBSTRATES WITH STRENGTHS LESS THAN THE MINIMUM STRENGTH SPECIFIED BELOW:
 A. WOOD – MINIMUM SPECIFIC GRAVITY OF G=0.42
 B. CONCRETE – MINIMUM COMPRESSIVE STRENGTH OF 3,200 PSI.
 C. MASONRY – STRENGTH CONFORMANCE TO ASTM C-90, GRADE N, TYPE 1 (OR GREATER).

ANCHORING LAYOUT

SIGNED: 11/05/2014

NAN YA PLASTICS CORP. USA 8989 NORTH LOOP EAST HOUSTON, TX 77029		
SERIES SLPS 8'0" HEIGHT OS PATIO DOOR FIBERGLASS SIDE HINGED DOOR W/ SIDELITES ANCHORING LAYOUT		
DRAWN: V.L.	DWG NO. 08-02135	REV A
SCALE NTS	DATE 07/11/13	SHEET 3 OF 9

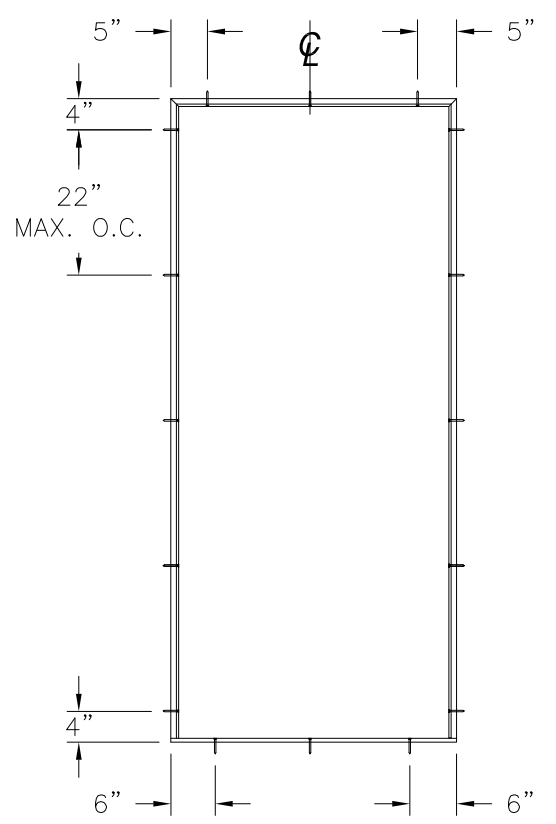




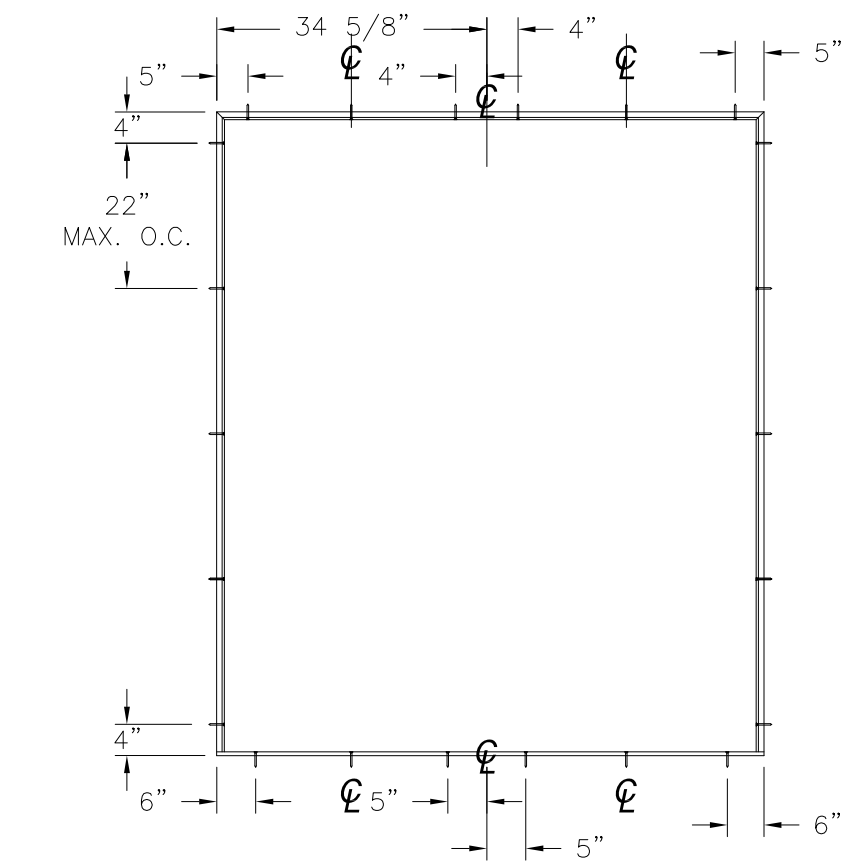
ANCHORING LAYOUT FOR OXO, XXO AND OXX

ANCHORING LAYOUT FOR OXO, XXO AND OXX (MULL)

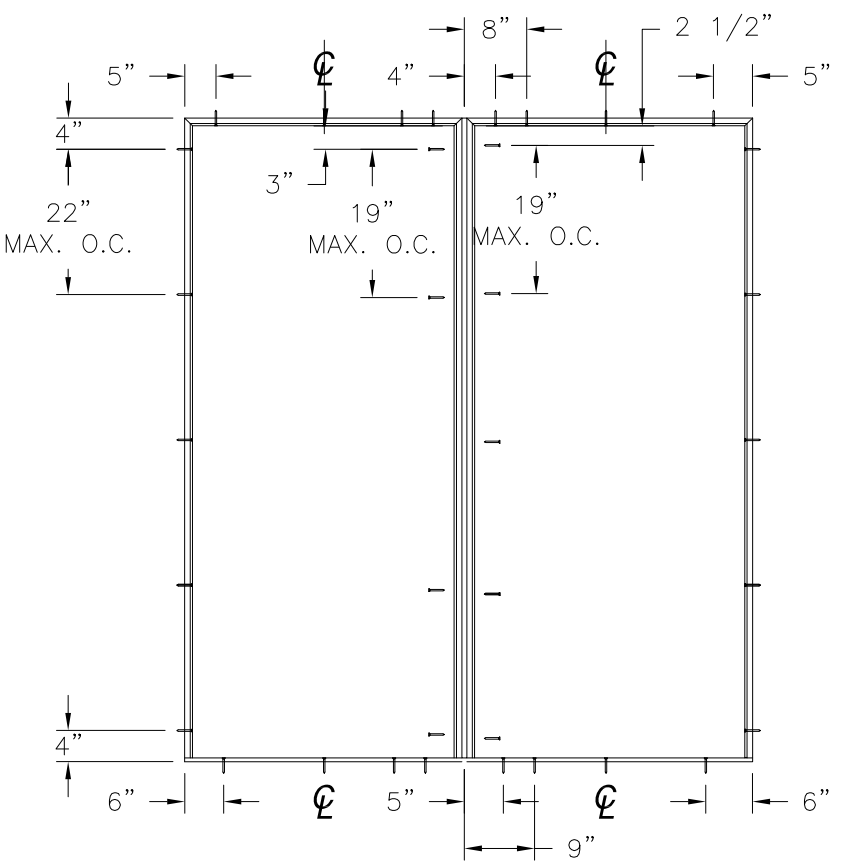
REVISIONS			
REV	DESCRIPTION	DATE	APPROVED
A	ADDED EDGE DISTANCES	11/05/14	R.L.



ANCHORING LAYOUT FOR X



ANCHORING LAYOUT FOR XX, OX AND XO



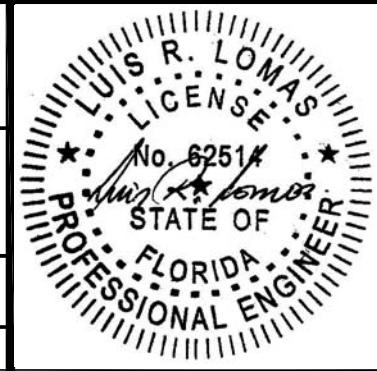
ANCHORING LAYOUT FOR OX AND XO (MULL)

SIGNED: 11/05/2014

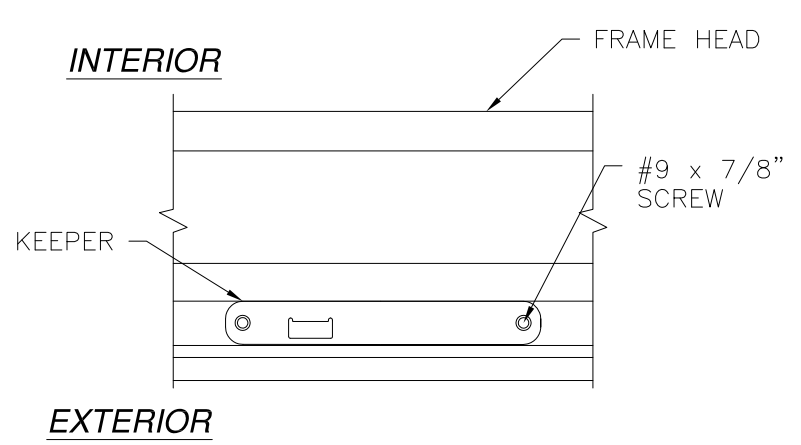
NAN YA PLASTICS CORP. USA
 8989 NORTH LOOP EAST
 HOUSTON, TX 77029

SERIES SLPS 8'0" HEIGHT OS PATIO DOOR
 FIBERGLASS SIDE HINGED DOOR W/ SIDELITES
 ANCHORING LAYOUTS

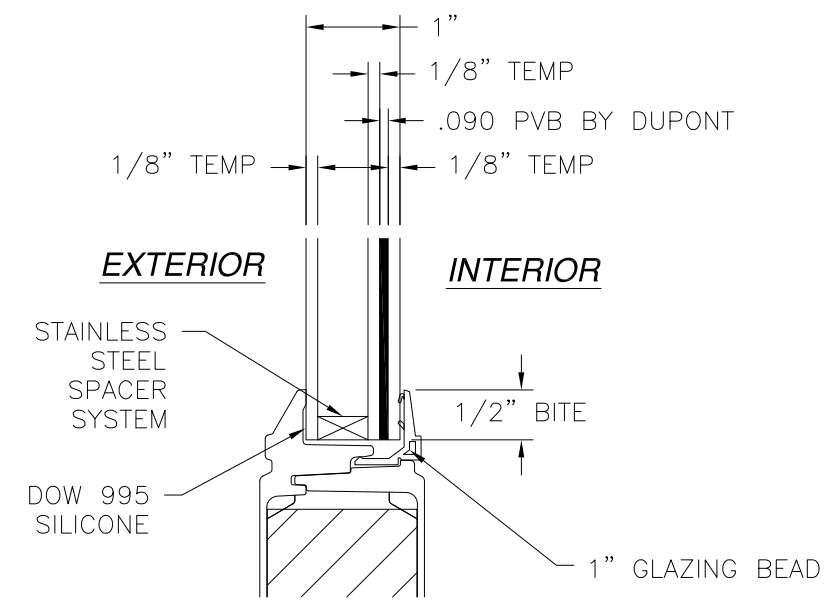
DRAWN: V.L.	DWG NO. 08-02135	REV A
SCALE NTS	DATE 07/11/13	SHEET 4 OF 9



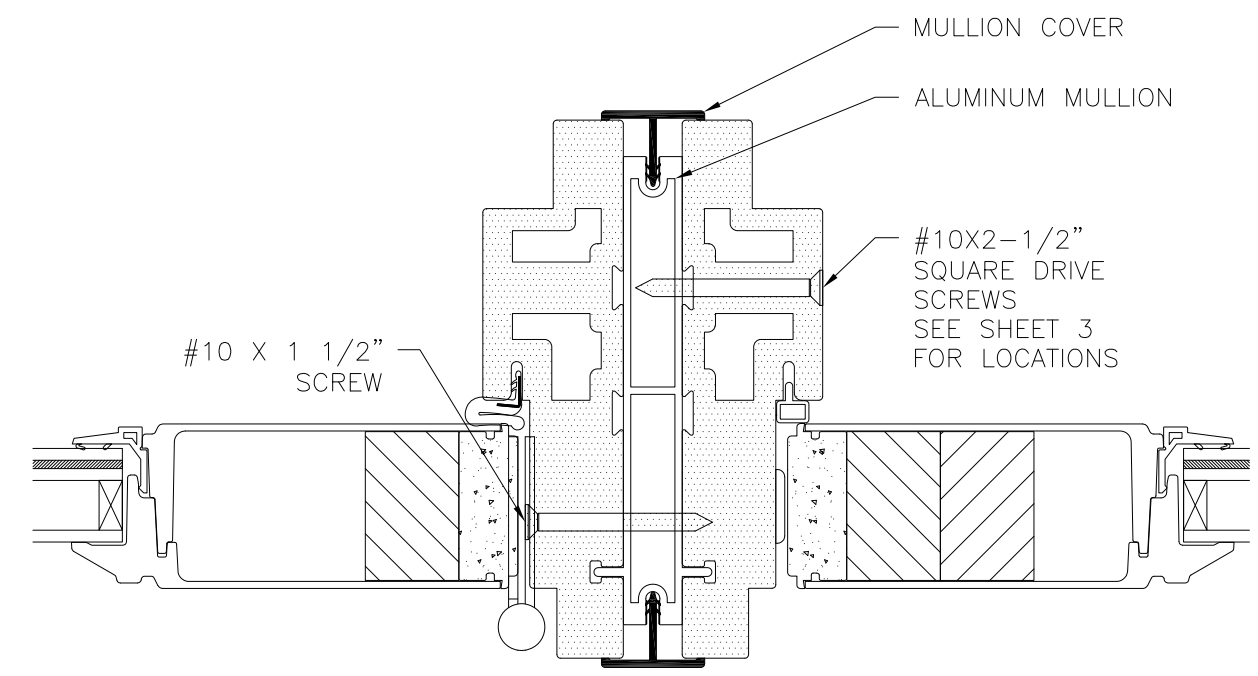
REVISIONS			
REV	DESCRIPTION	DATE	APPROVED
A	ADDED EDGE DISTANCES	11/05/14	R.L.



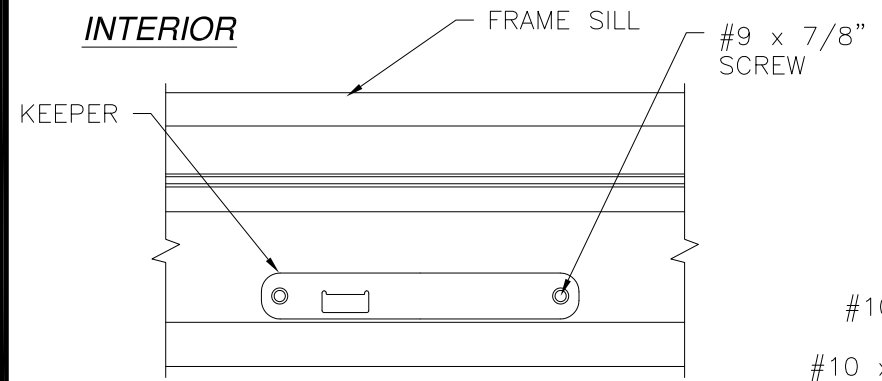
HEAD KEEPER DETAIL



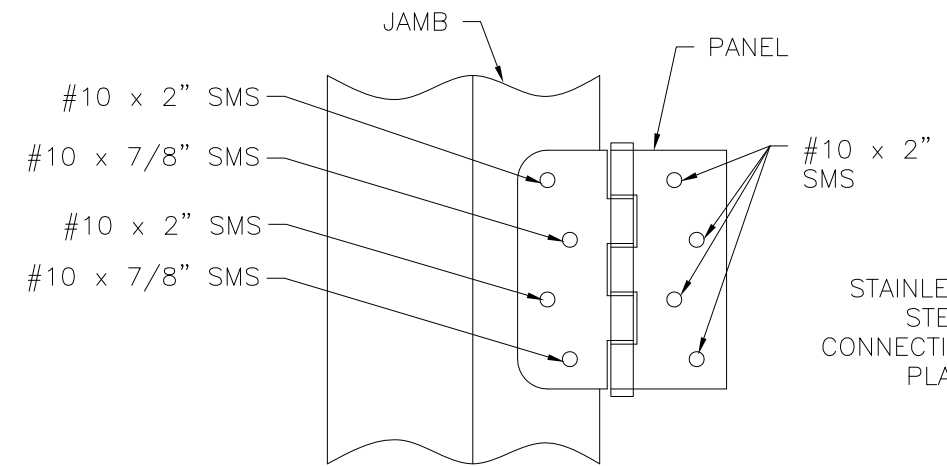
GLAZING DETAIL



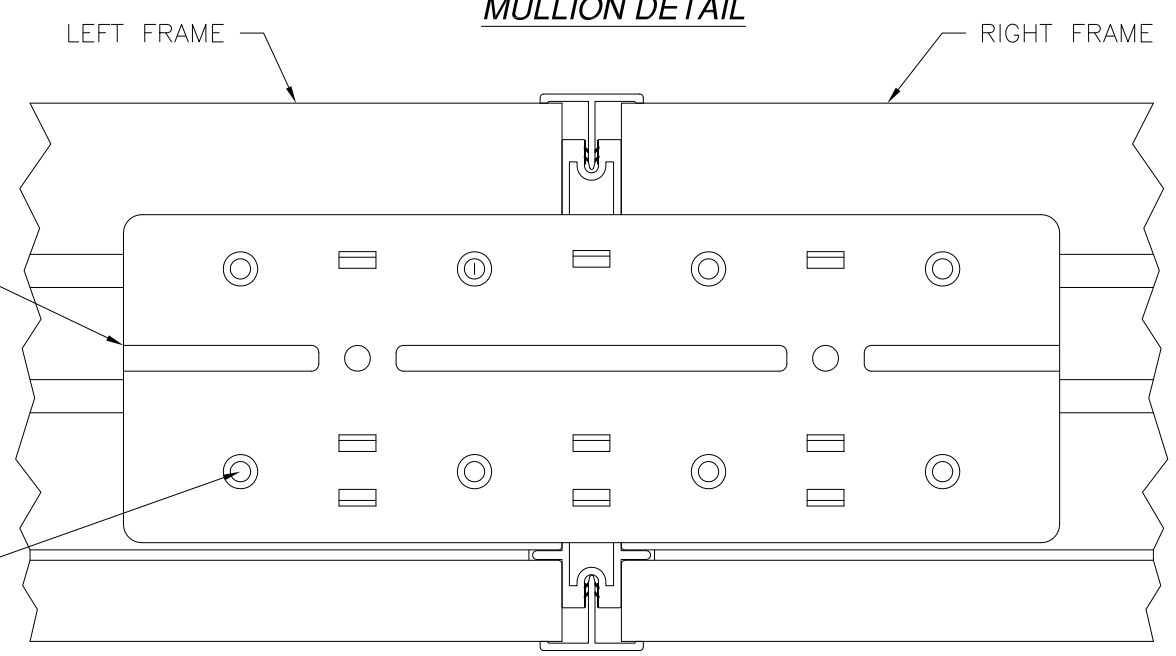
MULLION DETAIL



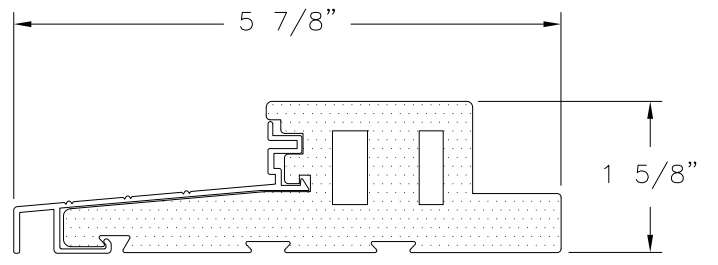
SILL KEEPER DETAIL



HINGE INSTALLATION DETAIL



FRAME CONNECTION DETAIL



OUTSWING DOOR SILL DETAIL

SIGNED: 11/05/2014

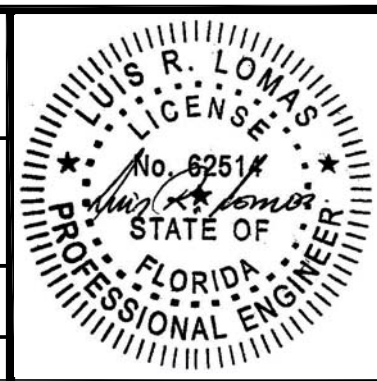
HARDWARE SCHEDULE

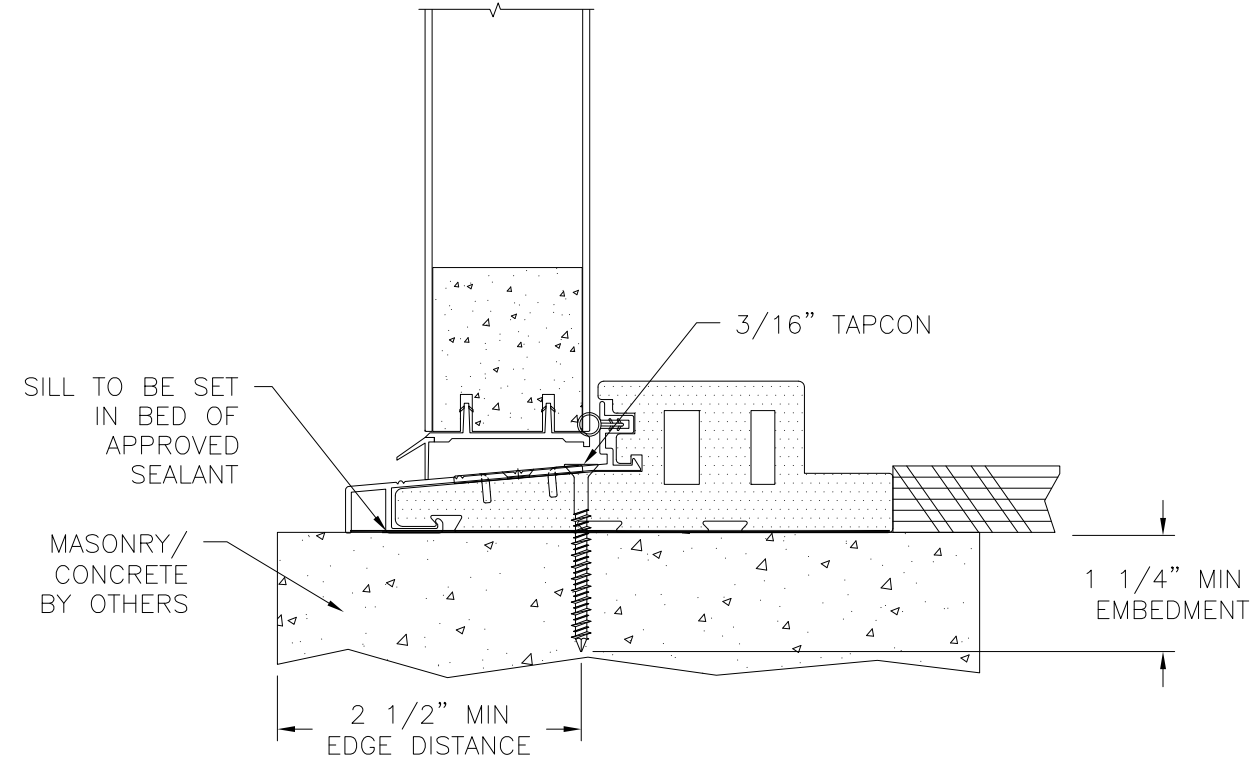
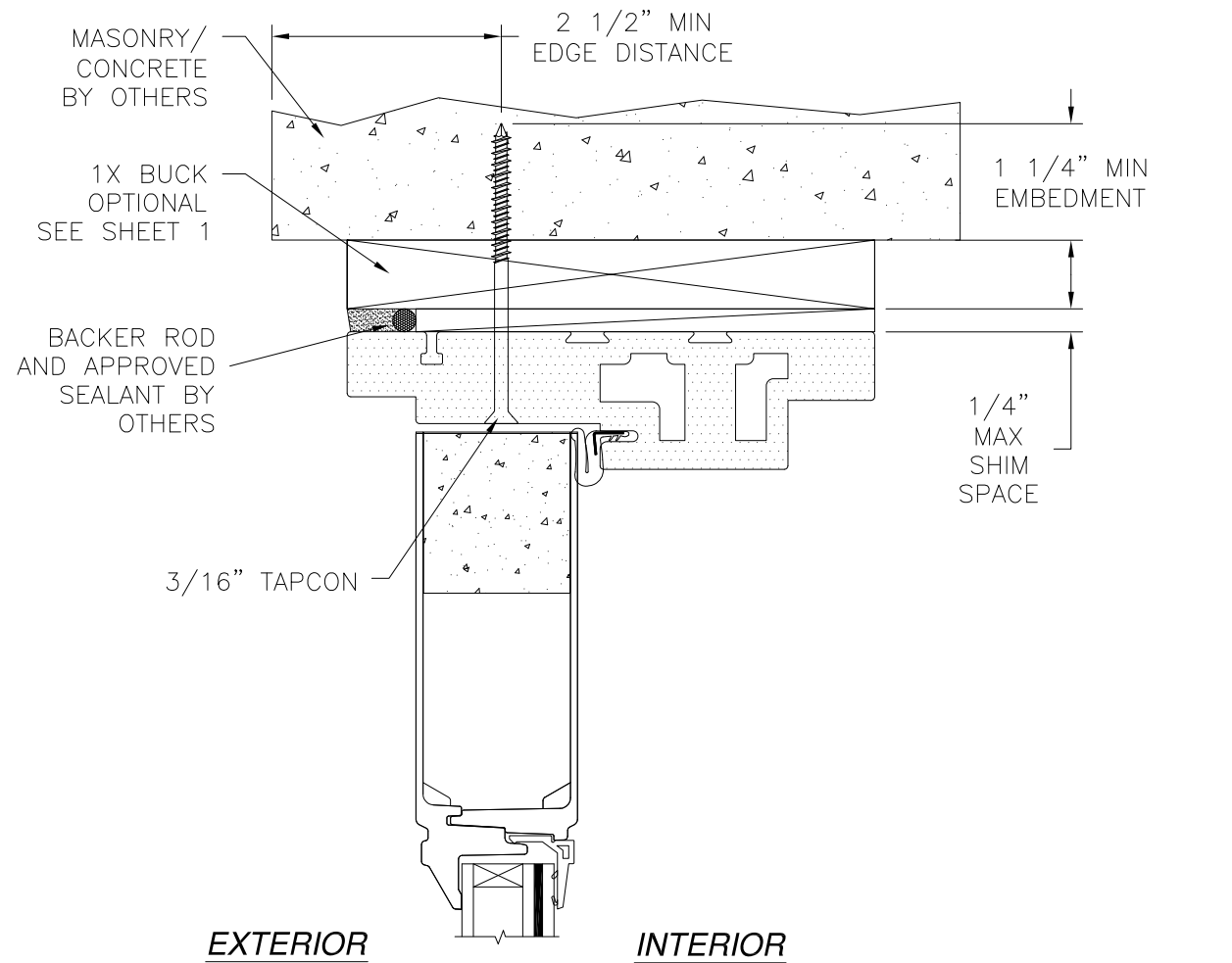
- A. (3) 4" BUTT HINGE
- B. 2 POINT LOCK SYSTEM
- C. RIGID PVC ASTRAGAL WITH ALUMINUM REINFORCEMENT

NAN YA PLASTICS CORP. USA
 8989 NORTH LOOP EAST
 HOUSTON, TX 77029

SERIES SLPS 8'0" HEIGHT OS PATIO DOOR
 FIBERGLASS SIDE HINGED DOOR W/ SIDELITES
 INSTALLATION DETAILS

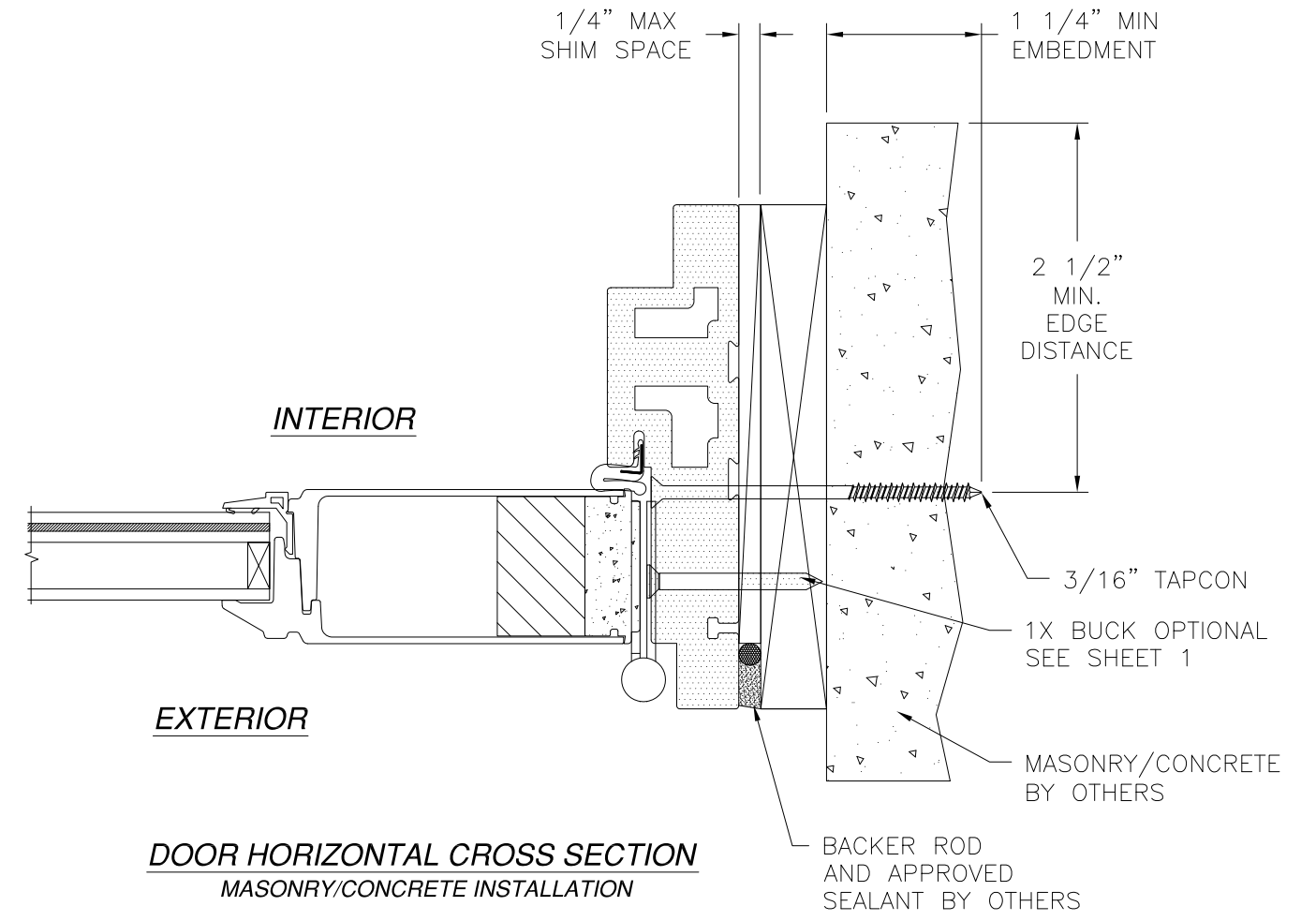
DRAWN: V.L.	DWG NO. 08-02135	REV A
SCALE NTS	DATE 07/11/13	SHEET 5 OF 9





DOOR VERTICAL CROSS SECTION
MASONRY/CONCRETE INSTALLATION

REVISIONS			
REV	DESCRIPTION	DATE	APPROVED
A	ADDED EDGE DISTANCES	11/05/14	R.L.



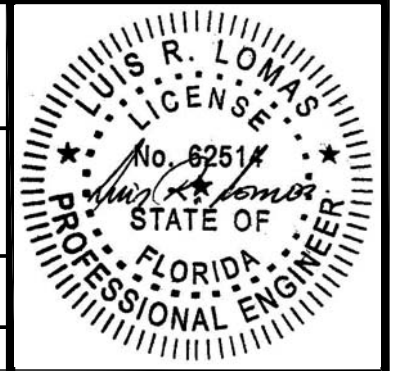
DOOR HORIZONTAL CROSS SECTION
MASONRY/CONCRETE INSTALLATION

NOTE:
INTERIOR AND EXTERIOR FINISHES, BY OTHERS, NOT SHOWN FOR CLARITY.
ANCHORS MAY BE INSTALLED INSIDE OR OUTSIDE FRAME

SIGNED: 11/05/2014

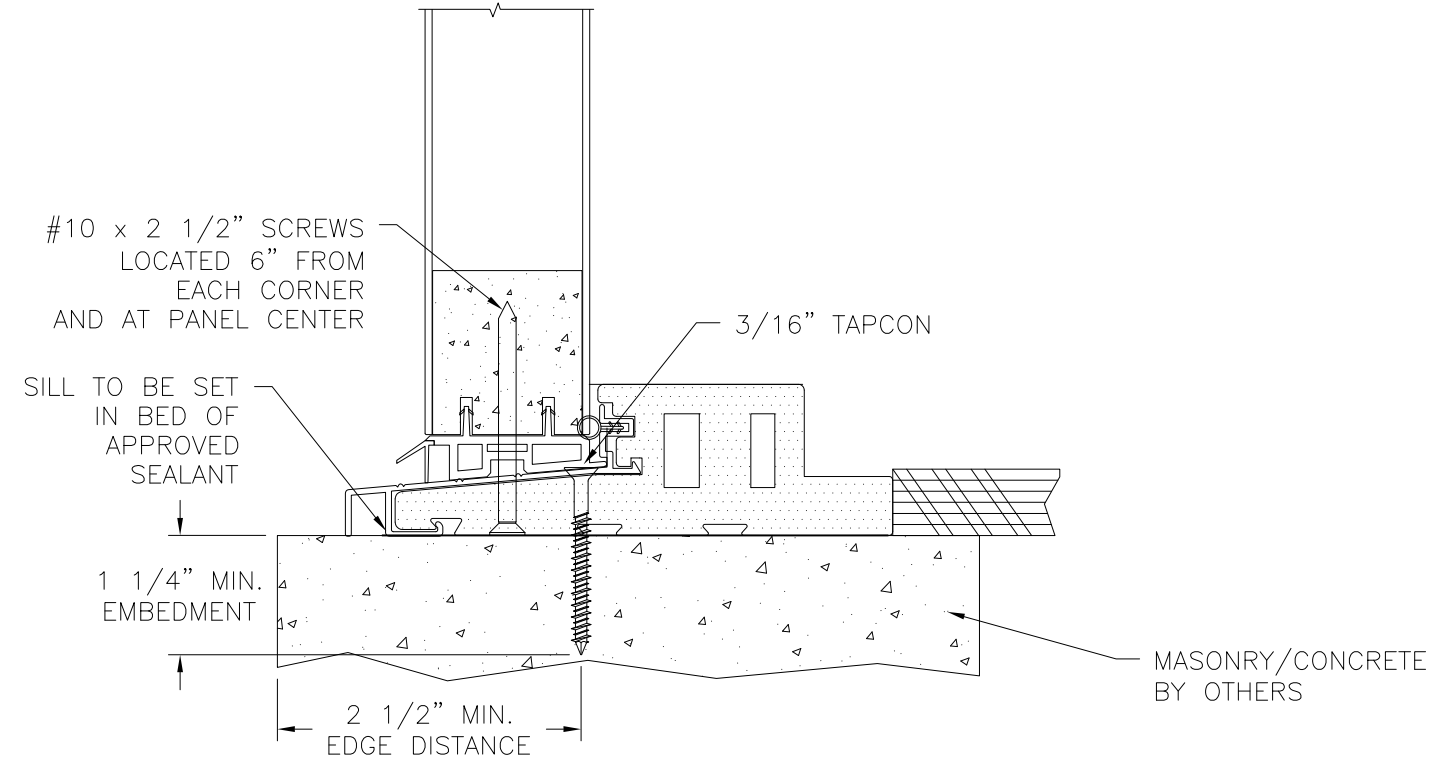
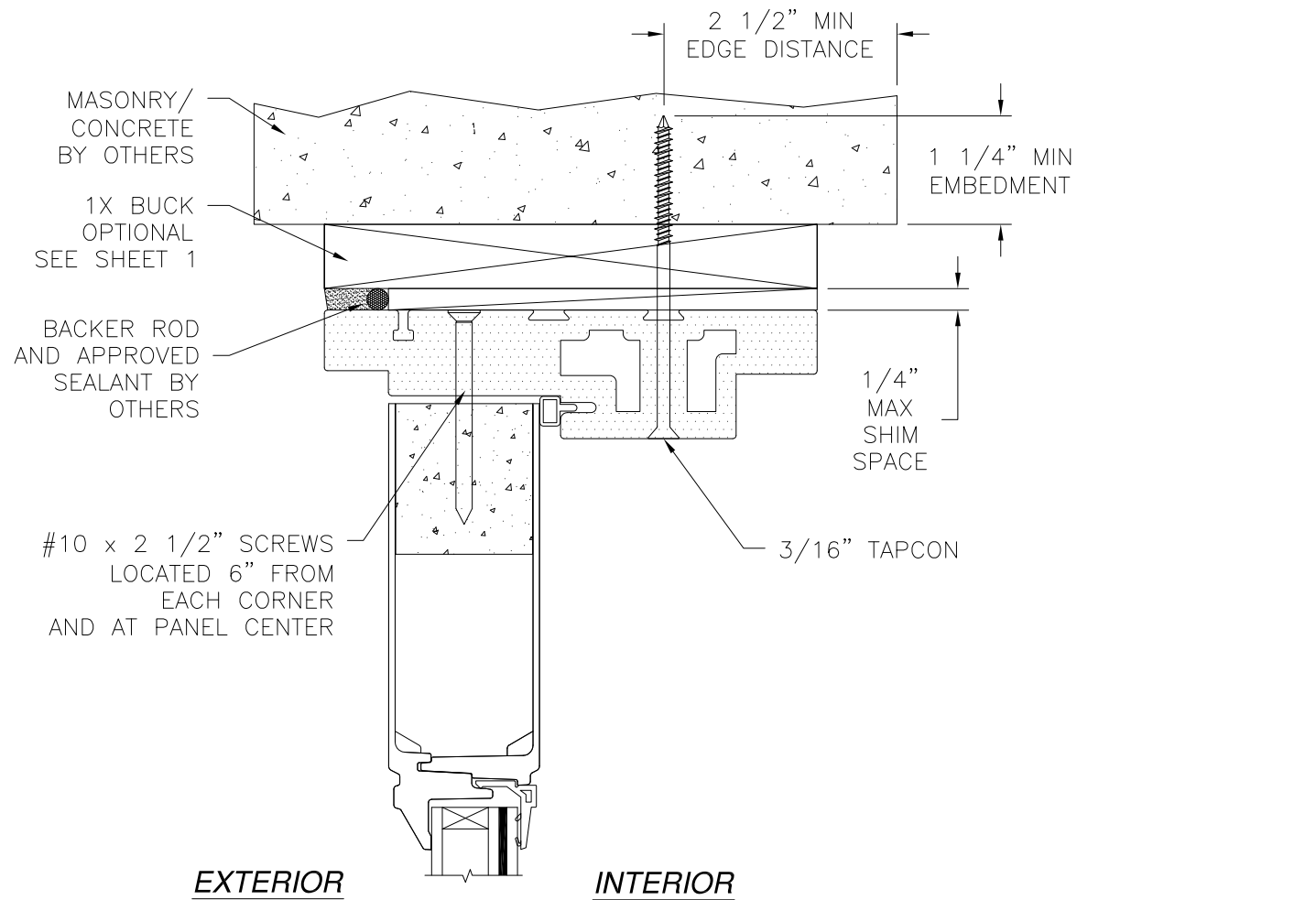
NAN YA PLASTICS CORP. USA
8989 NORTH LOOP EAST
HOUSTON, TX 77029

SERIES SLPS 8'0" HEIGHT OS PATIO DOOR
FIBERGLASS SIDE HINGED DOOR W/ SIDELITES
INSTALLATION DETAILS

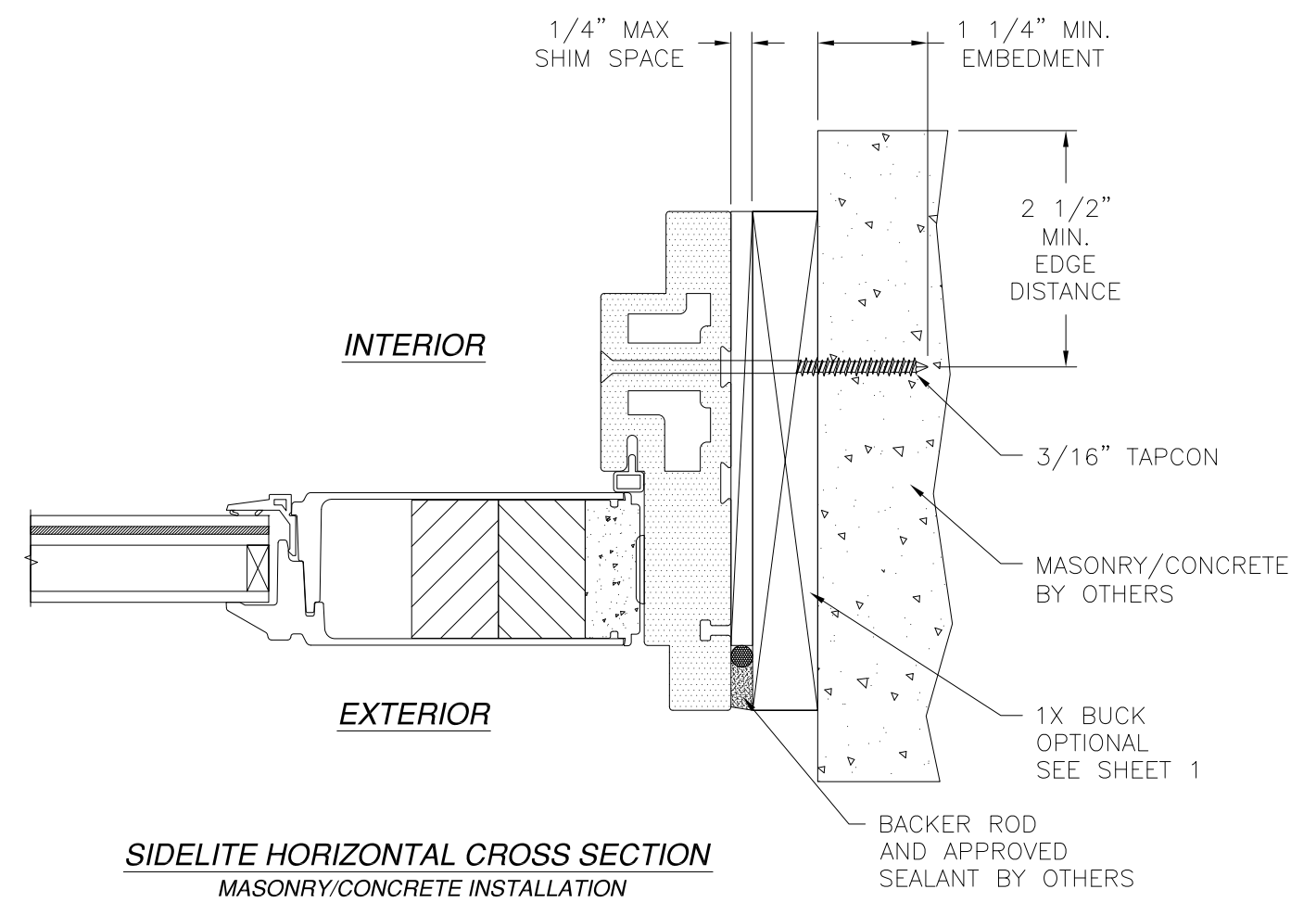


DRAWN: V.L.	DWG NO. 08-02135	REV A
SCALE NTS	DATE 07/11/13	SHEET 6 OF 9

REVISIONS			
REV	DESCRIPTION	DATE	APPROVED
A	ADDED EDGE DISTANCES	11/05/14	R.L.



SIDELITE VERTICAL CROSS SECTION
MASONRY/CONCRETE INSTALLATION



SIDELITE HORIZONTAL CROSS SECTION
MASONRY/CONCRETE INSTALLATION

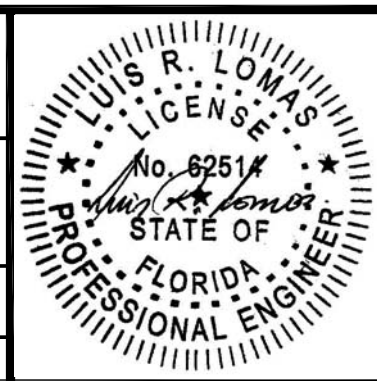
NOTE:
INTERIOR AND EXTERIOR FINISHES, BY OTHERS, NOT
SHOWN FOR CLARITY.

SIGNED: 11/05/2014

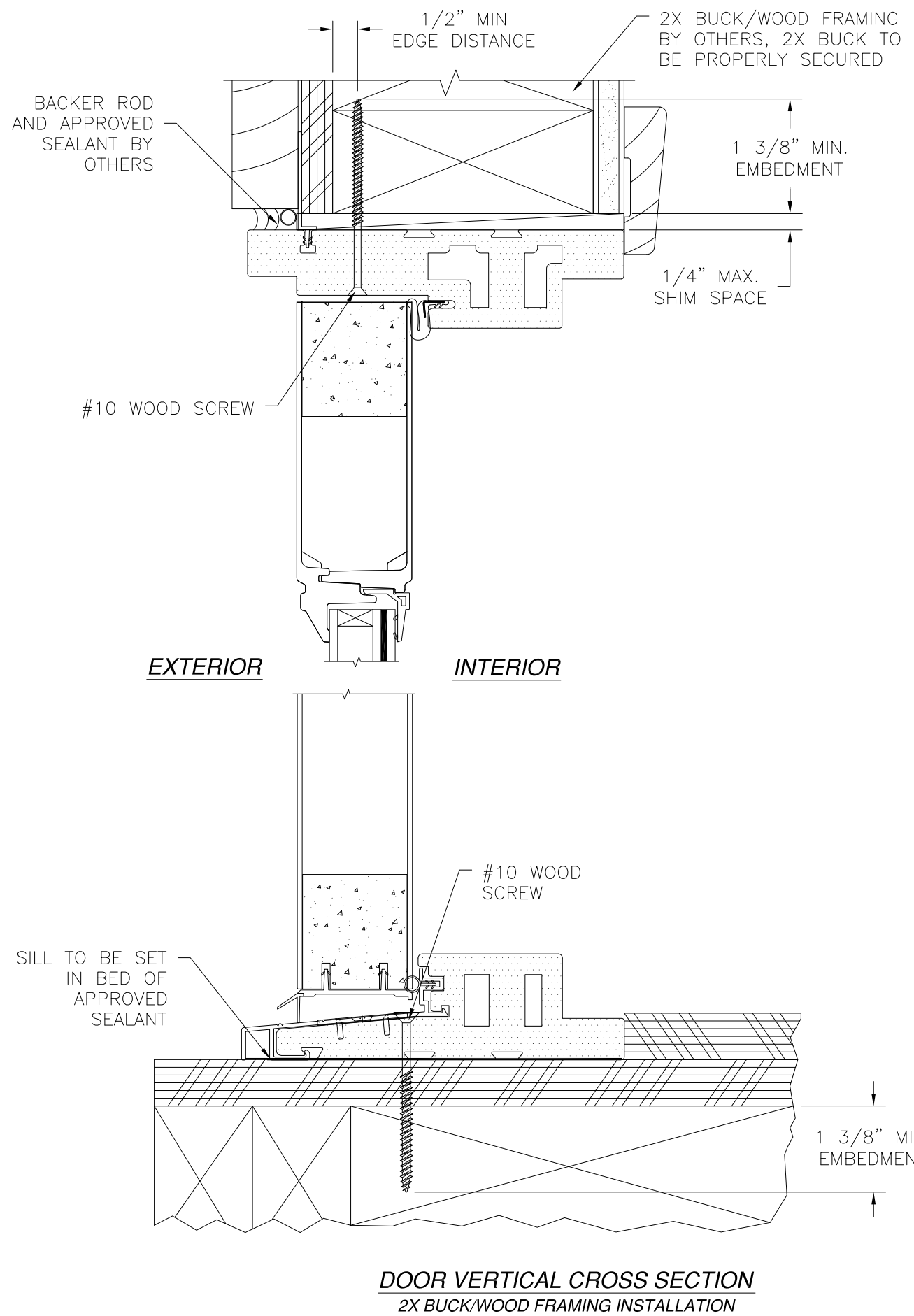
NAN YA PLASTICS CORP. USA
8989 NORTH LOOP EAST
HOUSTON, TX 77029

SERIES SLPS 8'0" HEIGHT OS PATIO DOOR
FIBERGLASS SIDE HINGED DOOR W/ SIDELITES
INSTALLATION DETAILS

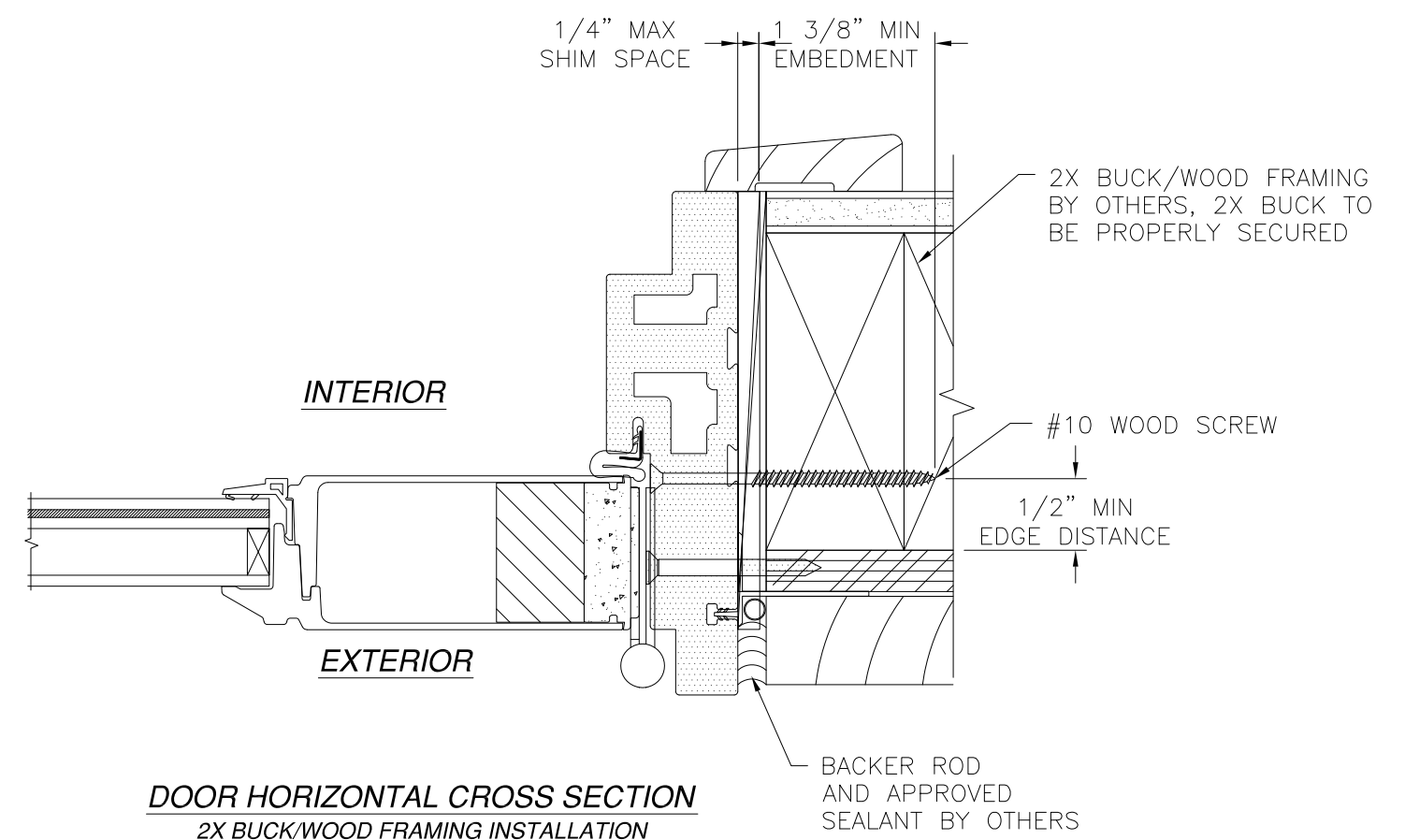
DRAWN: V.L.	DWG NO. 08-02135	REV A
SCALE NTS	DATE 07/11/13	SHEET 7 OF 9



REVISIONS			
REV	DESCRIPTION	DATE	APPROVED
A	ADDED EDGE DISTANCES	11/05/14	R.L.



DOOR VERTICAL CROSS SECTION
2X BUCKWOOD FRAMING INSTALLATION



DOOR HORIZONTAL CROSS SECTION
2X BUCKWOOD FRAMING INSTALLATION

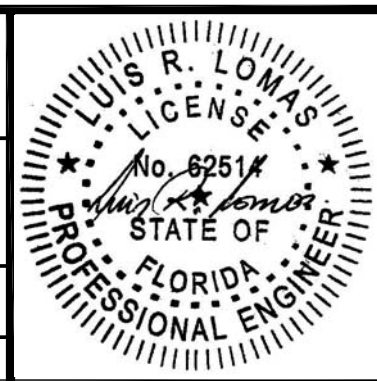
NOTE:
INTERIOR AND EXTERIOR FINISHES, BY OTHERS, NOT
SHOWN FOR CLARITY.
ANCHORS MAY BE INSTALLED INSIDE OR OUTSIDE
FRAME

SIGNED: 11/05/2014

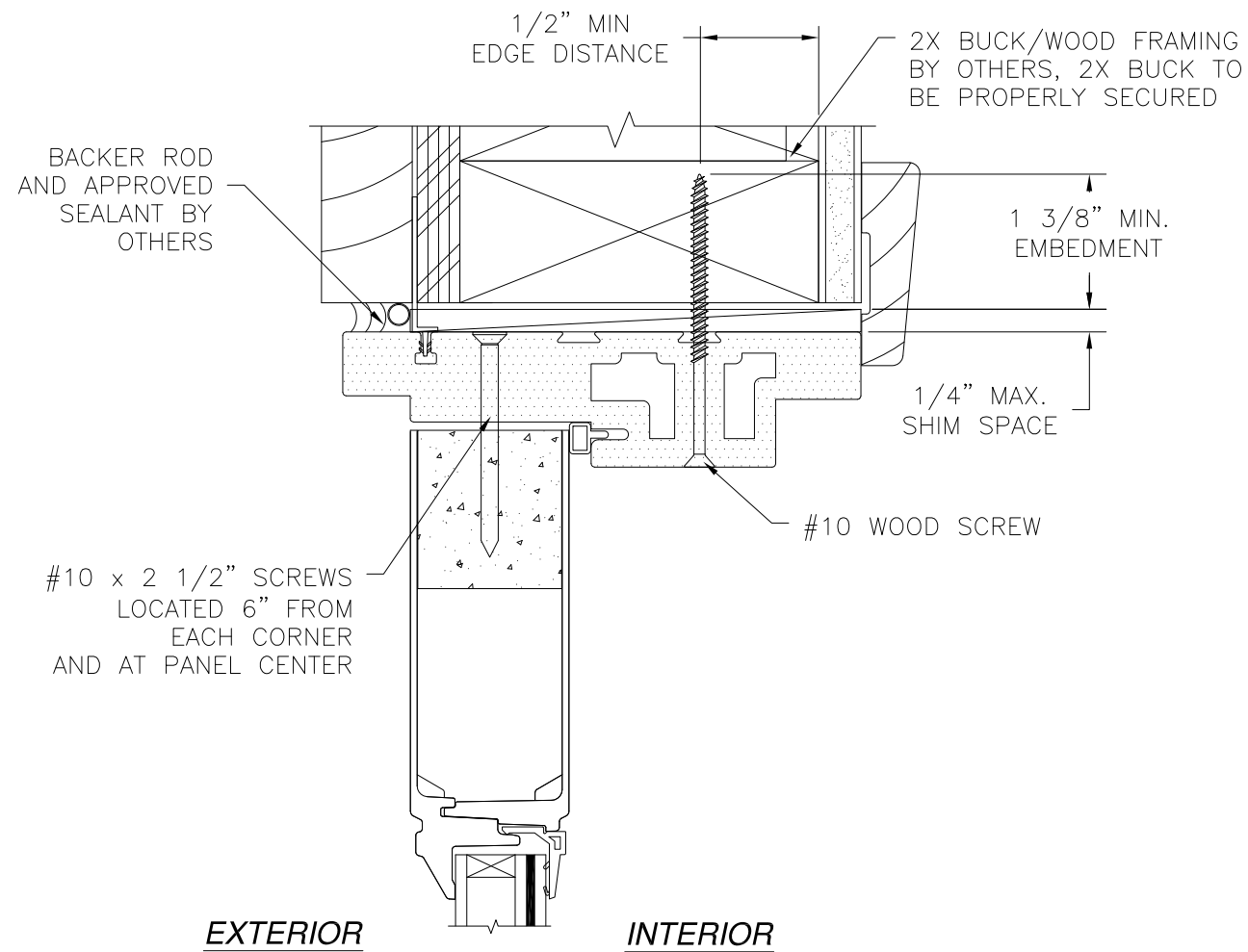
NAN YA PLASTICS CORP. USA
8989 NORTH LOOP EAST
HOUSTON, TX 77029

SERIES SLPS 8'0" HEIGHT OS PATIO DOOR
FIBERGLASS SIDE HINGED DOOR W/ SIDELITES
INSTALLATION DETAILS

DRAWN: V.L.	DWG. NO. 08-02135	REV A
SCALE NTS	DATE 07/11/13	SHEET 8 OF 9



REVISIONS			
REV	DESCRIPTION	DATE	APPROVED
A	ADDED EDGE DISTANCES	11/05/14	R.L.



EXTERIOR

INTERIOR

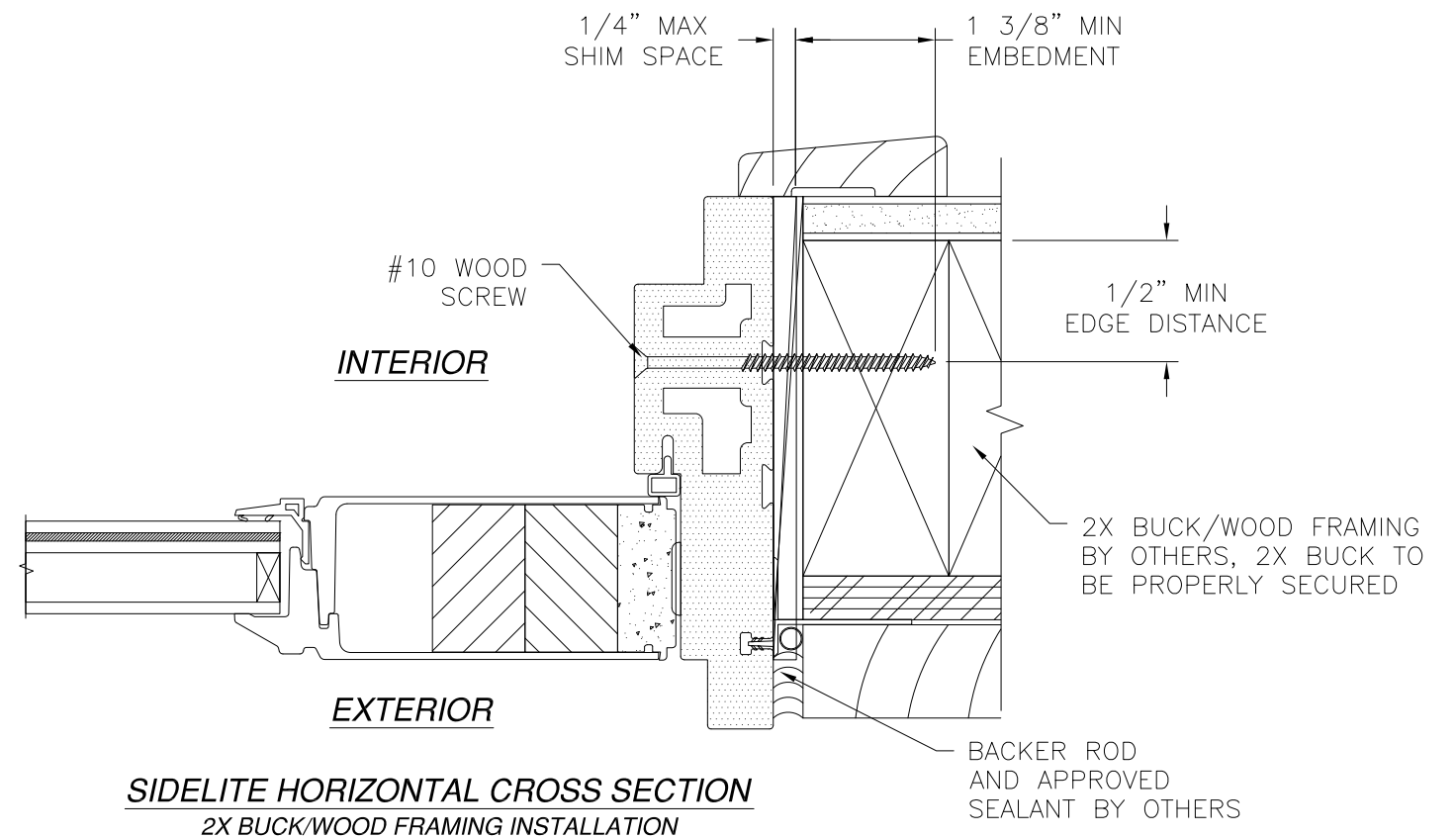
#10 x 2 1/2" SCREWS
LOCATED 6" FROM
EACH CORNER
AND AT PANEL CENTER

#10 WOOD
SCREW

SILL TO BE SET
IN BED OF
APPROVED
SEALANT

1 3/8" MIN.
EMBEDMENT

SIDELITE VERTICAL CROSS SECTION
2X BUCK/WOOD FRAMING INSTALLATION



INTERIOR

EXTERIOR

1/2" MIN
EDGE DISTANCE

BACKER ROD
AND APPROVED
SEALANT BY OTHERS

SIDELITE HORIZONTAL CROSS SECTION
2X BUCK/WOOD FRAMING INSTALLATION

SIGNED: 11/05/2014

NAN YA PLASTICS CORP. USA
8989 NORTH LOOP EAST
HOUSTON, TX 77029

SERIES SLPS 8'0" HEIGHT OS PATIO DOOR
FIBERGLASS SIDE HINGED DOOR W/ SIDELITES
INSTALLATION DETAILS

DRAWN: V.L.	DWG NO. 08-02135	REV A
SCALE NTS	DATE 07/11/13	SHEET 9 OF 9

