

Florida Building Code Product Approval
FL14752.13-R3 Impact 12'0" x 6'11 6/8 Outswing, Full Lite DP50

FL #	FL14752-R3						
Application Type	Revision						
Code Version	2010						
Application Status	Approved						
	*Approved by DBPR. Approvals by DBPR shall be reviewed and ratified by the POC and/or the Commission if necessary.						
Comments							
Archived	<input type="checkbox"/>						
Product Manufacturer	Nan Ya Plastics Corporation USA						
Address/Phone/Email	8989 North Loop East Houston, TX 77029 (713) 674-7822 Ext 105 ajen96@yahoo.com.tw						
Authorized Signature	RUSKIN WU ajen96@yahoo.com.tw						
Technical Representative	Ruskin Wu						
Address/Phone/Email	8989 North Loop East Houston, TX 77029-1217 (713) 674-7822 Ext 105 ajen96@yahoo.com.tw						
Quality Assurance Representative							
Address/Phone/Email							
Category	Exterior Doors						
Subcategory	Swinging Exterior Door Assemblies						
Compliance Method	Certification Mark or Listing						
Certification Agency	National Accreditation & Management Institute						
Validated By	National Accreditation & Management Institute,						
Referenced Standard and Year (of Standard)	<table border="0"> <thead> <tr> <th><u>Standard</u></th> <th><u>Year</u></th> </tr> </thead> <tbody> <tr> <td>AAMA/NWWDA 101/I.S.2</td> <td>1997</td> </tr> <tr> <td>AAMA/WDMA</td> <td>2002</td> </tr> </tbody> </table>	<u>Standard</u>	<u>Year</u>	AAMA/NWWDA 101/I.S.2	1997	AAMA/WDMA	2002
<u>Standard</u>	<u>Year</u>						
AAMA/NWWDA 101/I.S.2	1997						
AAMA/WDMA	2002						

Florida Building Code Product Approval
FL14752.13-R3 Impact 12'0" x 6'11 6/8 Outswing, Full Lite DP50

	101/I.S.2/NAFS AAMA/WDMA/CSA 101/I.S.2/A440 ASTM E1886 ASTM E1886 ASTM E1996 ASTM E1996 ASTM E1996 ASTM E330	2008 2005 2002 2002 2006 2002
Equivalence of Product Standards Certified By		
Product Approval Method	Method 1 Option A	
Date Submitted	10/22/2014	
Date Validated	11/24/2014	
Date Pending FBC Approval		
Date Approved	11/25/2014	

14752.13	Outswing Entrance Door w/ & w/out Sidelites	Outswing Entrance Door w/ & w/out Sidelites - Fiberglass clad
Limits of Use Approved for use in HVHZ: No Approved for use outside HVHZ: Yes Impact Resistant: Yes Design Pressure: +50/-50 Other:		Certification Agency Certificate FL14752_R3_C_CAC_NI011687-R3.pdf Quality Assurance Contract Expiration Date 01/31/2016 Installation Instructions FL14752_R3_II_08-02313A.pdf Verified By: Luis Roberto Lomas 62514 Created by Independent Third Party: Yes Evaluation Reports FL14752_R3_AE_513070A.pdf Created by Independent Third Party: Yes

NOTICE OF PRODUCT CERTIFICATION



CERTIFICATION NO: NI011687-R3
DATE: 10/22/2013
CERTIFICATION PROGRAM: Structural
COMPANY: Nan Ya Plastics
CODE: 661-1
REVISION DATE: 05/19/2014

To verify that the "Notice of Product Certification" is valid, please visit www.NAMICertification.com to assure that the product is active and currently listed. This certification represents product conformity to the applicable specification and that certification criteria has been satisfied. Please review and advise NAMI if any corrections are required to this document.

COMPANY NAME AND ADDRESS	PRODUCT DESCRIPTION
Nan Ya Plastics Corporation U.S.A. 8989 North Loop East Houston, TX 77029	Series "Outswing Entrance Door with Sidelites" Fiberglass Out-Swing Side-Hinged Door w/Sidelites Configuration: OXXO Glazing: IG-1/8" Tempered Glass/Laminate-1/8" Annealed Glass/0.090" DuPont Butacite PVB/1/8" Annealed Glass Frame: W-3632mm(143.00") H-2096mm(82.50") Panel: W-876mm(34.50") H-2040mm(80.31") DLO: W-635mm(25.00") H-1600mm(63.00")

SPECIFICATION	PRODUCT RATING
AAMA/WDMA/CSA 101/I.S.2/A440-08 ASTM E1886-05/1996-05 AAMA 506-08	Class R-PG50 3632 x 2096 (143 x 82)-SHD Design Pressure: 2394 Pa (50 psf) Water Penetration Resistance Test Pressure: 503 Pa (10.5 psf) Wind Zone 4-Missile Level D Qualifies Configurations: O/X/OX/XO/OXO/XX/OXX/XXO/OXXO

Product Tested By: Fenestration Testing Laboratories
Report No: FTL-6757/FTL-6492
Expiration Date: **January 31, 2016**

Administrator's Signature: _____

**NATIONAL ACCREDITATION AND
MANAGEMENT INSTITUTE, INC.**
4794 George Washington Memorial Highway
Hayes, VA 23072
Tel: (804) 684-5124
Fax: (804) 684-5122

L. Roberto Lomas P.E.

233 W. Main St.
Danville, VA 24541
434-688-0609
rlomas@lrlomaspe.com

Engineering Evaluation Report

Report No.: 513070A

Manufacturer: Nan Ya Plastics Corp. USA
8989 North Loop East
Houston, TX 77029

Product Line: Out-Swing Entrance Door with and without Sidelites, Fiberglass Clad

Compliance:

The above mentioned product has been evaluated for compliance with the requirements of the Florida Department of Business and Professional Regulation for Statewide Acceptance per Rule 61G20-3.005 method 1(a). The product listed herein complies with requirements of the Florida Building Code.

Supporting Technical Documentation:

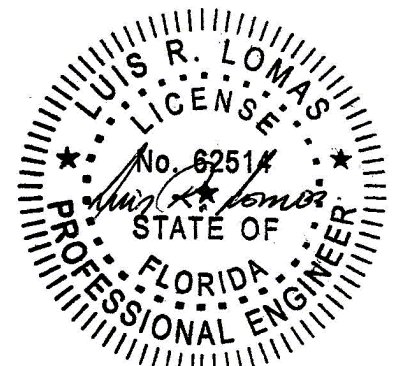
1. Approval document: drawing number 08-02313 Revision A, prepared, signed and sealed by Luis Roberto Lomas P.E.
2. Report No.: FTL 6757 signed and sealed by Marlin D. Brinson P.E.
Fenestration Testing Laboratory, Medley, FL
ANSI/AAMA/NWWDA 101/I.S.2A440-08
Design pressure: ± 70.0 psf
Water penetration resistance 10.5psf
3. Report No.: FTL 6492 signed by Mr. Manny Sanchez.
Fenestration Testing Laboratory, Medley, FL
AAMA 506
ASTM E1886-05/ E1996-05 Large Missile Impact, Level D, Wind Zone 4
ASTM E1886-05/ E1996-05 Cyclic Load Test, ± 70.0 psf design pressure
4. Anchor calculations, report number 513070-1, prepared, signed and sealed by Luis Roberto Lomas P.E.

Limitations and Conditions of use:

- Maximum design pressure: ± 50.0 psf
- Maximum unit size: 143" x 82 1/2"
- Units must be glazed per ASTM E1300-04, refer to approval document for glass type.
- This product is not rated to be used in the HVHZ.
- This product is impact resistant and does not require impact protection in wind borne debris regions.
- Frame material to be CO-Extruded PVC Foam.

Installation: Units must be installed in accordance with approval document, 08-02313 Revision A.

Certification of Independence: Please note that I don't have nor will acquire a financial interest in any company manufacturing or distributing the product(s) for which this report is being issued. Also, I don't have nor will acquire a financial interest in any other entity involved in the approval process of the listed product(s).



REVISIONS			
REV	DESCRIPTION	DATE	APPROVED
A	ADDED EDGE DISTANCES	11/05/14	R.L.

NOTES:

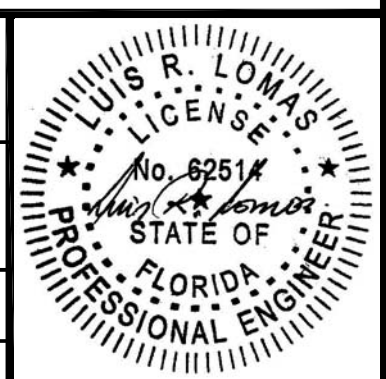
1. THE PRODUCT SHOWN HEREIN IS DESIGNED AND MANUFACTURED TO COMPLY WITH REQUIREMENTS OF THE FLORIDA BUILDING CODE.
2. WOOD FRAMING AND MASONRY OPENING TO BE DESIGNED AND ANCHORED TO PROPERLY TRANSFER ALL LOADS TO STRUCTURE. FRAMING AND MASONRY OPENING IS THE RESPONSIBILITY OF THE ARCHITECT OR ENGINEER OF RECORD.
3. 1X BUCK OVER MASONRY/CONCRETE IS OPTIONAL.
4. WHERE SHIM OR BUCK THICKNESS IS LESS THAN 1-1/2" WINDOW UNITS MUST BE ANCHORED THROUGH THE FRAME IN ACCORDANCE WITH MANUFACTURER'S PUBLISHED INSTALLATION INSTRUCTIONS. ANCHORS SHALL BE SECURELY FASTENED DIRECTLY INTO MASONRY, CONCRETE OR OTHER STRUCTURAL SUBSTRATE MATERIAL.
5. WHERE WOOD BUCK THICKNESS IS 1-1/2" OR GREATER, BUCK SHALL BE SECURELY FASTENED TO MASONRY, CONCRETE OR OTHER STRUCTURAL SUBSTRATE. WINDOW UNITS MAY BE ANCHORED THROUGH FRAME TO SECURED WOOD BUCK IN ACCORDANCE WITH MANUFACTURER'S PUBLISHED INSTALLATION INSTRUCTIONS.
6. WHERE 1X BUCK IS NOT USED DISSIMILAR MATERIALS MUST BE SEPARATED WITH APPROVED COATING OR MEMBRANE. SELECTION OF COATING OR MEMBRANE IS THE RESPONSIBILITY OF THE ARCHITECT OR ENGINEER OF RECORD.
7. BUCKS SHALL EXTEND BEYOND WINDOW INTERIOR FACE SO THAT FULL FRAME SUPPORT IS PROVIDED.
8. SHIMS SHALL BE LOCATED, APPLIED AND MADE FROM MATERIALS AND THICKNESS CAPABLE OF SUSTAINING APPLICABLE LOADS.
9. WIND LOAD DURATION FACTOR Cd=1.6 WAS USED FOR WOOD ANCHOR CALCULATIONS.
10. FRAME JAMB AND HEAD MATERIAL: CO-EXTRUDED PVC FOAM.
11. FRAME SILL MATERIAL: CO-EXTRUDED PVC FOAM WITH ALUMINUM CLADDING.
12. DOOR PANEL SIDELITE MATERIAL: FIBERGLASS SKIN WITH PVC FOAM TOP AND BOTTOM RAILS, AND PVC FOAM VERTICAL STILES WITH PINE REINFORCEMENTS AND POLYURETHANE FOAM CORE.
13. UNITS MUST BE GLAZED PER ASTM E1300-04. SEE SHEET 5 FOR GLAZING DETAIL.
14. APPROVED IMPACT PROTECTIVE SYSTEM IS NOT REQUIRED FOR THIS PRODUCT IN WIND BORNE DEBRIS REGIONS.
15. FOR ANCHORING INTO WOOD FRAMING OR 2X BUCK USE #10 WOOD SCREWS WITH SUFFICIENT LENGTH TO ACHIEVE A 1 3/8" MINIMUM EMBEDMENT INTO SUBSTRATE. LOCATE ANCHORS AS SHOWN IN ELEVATIONS AND INSTALLATION DETAILS.

16. FOR ANCHORING INTO MASONRY/CONCRETE USE 3/16" TAPCONS WITH SUFFICIENT LENGTH TO ACHIEVE A 1 1/4" MINIMUM EMBEDMENT INTO SUBSTRATE WITH 2 1/2" MINIMUM EDGE DISTANCE. LOCATE ANCHORS AS SHOWN IN ELEVATIONS AND INSTALLATION DETAILS.
17. ALL FASTENERS TO BE CORROSION RESISTANT.
18. INSTALLATION ANCHORS SHALL BE INSTALLED IN ACCORDANCE WITH ANCHOR MANUFACTURER'S INSTALLATION INSTRUCTIONS AND ANCHORS SHALL NOT BE USED IN SUBSTRATES WITH STRENGTHS LESS THAN THE MINIMUM STRENGTH SPECIFIED BELOW:
 - A. WOOD - MINIMUM SPECIFIC GRAVITY OF G=0.42
 - B. CONCRETE - MINIMUM COMPRESSIVE STRENGTH OF 3,192 PSI.
 - C. MASONRY - STRENGTH CONFORMANCE TO ASTM C-90, GRADE N, TYPE 1 (OR GREATER).
19. HINGE LOCATION: 9", 40 7/8" AND 72 1/2" FROM BOTTOM.
20. MAX PANEL SIZE: 35 1/4" X 80 5/16"

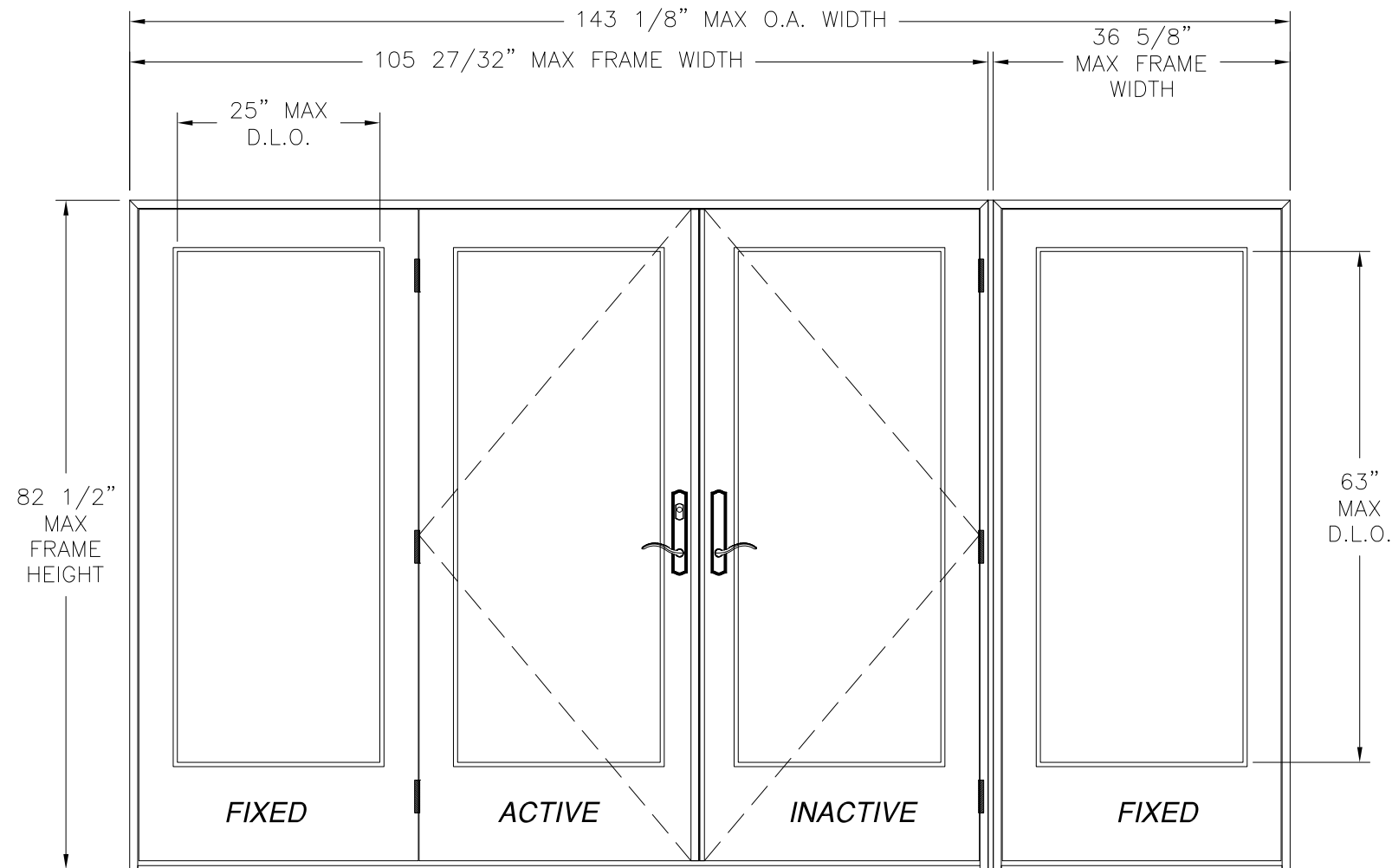
SIGNED: 11/05/2014

TABLE OF CONTENTS	
SHEET NO.	DESCRIPTION
1	NOTES
2 - 3	ELEVATIONS
4 - 5	ANCHORING LAYOUTS
6 - 10	INSTALLATION DETAILS

<p>NAN YA PLASTICS CORP. USA 8989 NORTH LOOP EAST HOUSTON, TX 77029</p>		
<p>OUT-SWING ENTRANCE DOOR W/ & W/O SIDELITES FIBERGLASS CLAD ELEVATION AND NOTES</p>		
DRAWN: N.G.	DWG NO. 08-02313	REV A
SCALE NTS	DATE 04/09/14	SHEET 1 OF 10



REVISIONS			
REV	DESCRIPTION	DATE	APPROVED
A	ADDED EDGE DISTANCES	11/05/14	R.L.



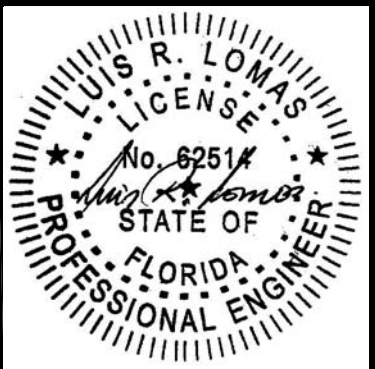
OUT-SWING ENTRANCE DOUBLE DOOR W/ SIDELITES
FIBERGLASS CLAD
 EXTERIOR VIEW

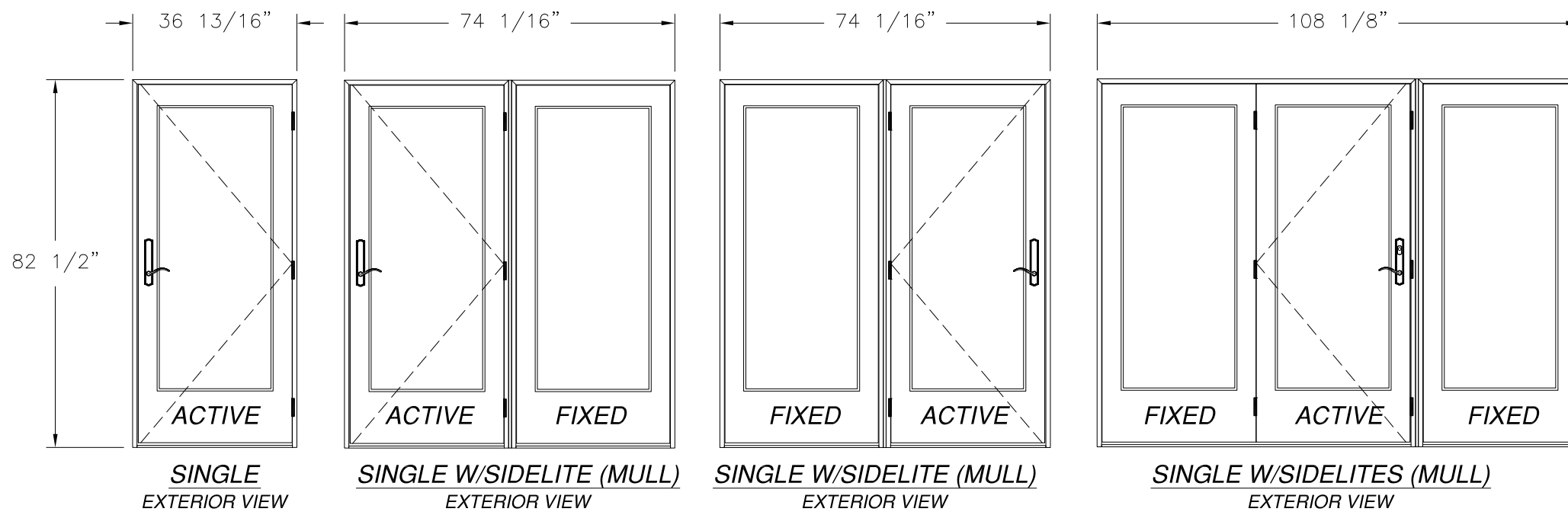
DESIGN PRESSURE RATING	IMPACT RATING
±50.0PSF	LARGE AND SMALL MISSILE IMPACT

MISSILE LEVEL D, WIND ZONE 4

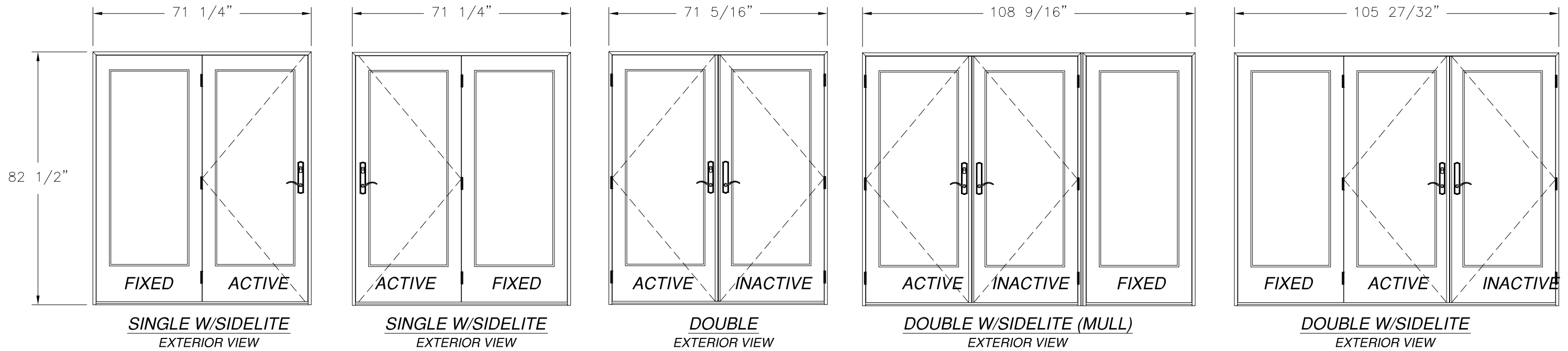
SIGNED: 11/05/2014

NAN YA PLASTICS CORP. USA 8989 NORTH LOOP EAST HOUSTON, TX 77029		
OUT-SWING ENTRANCE DOOR W/ & W/O SIDELITES FIBERGLASS CLAD ELEVATION		
DRAWN: N.G.	DWG NO. 08-02313	REV A
SCALE NTS	DATE 04/09/14	SHEET 2 OF 10





REVISIONS			
REV	DESCRIPTION	DATE	APPROVED
A	ADDED EDGE DISTANCES	11/05/14	R.L.

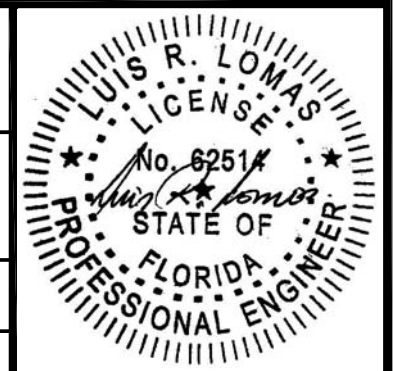


SIGNED: 11/05/2014

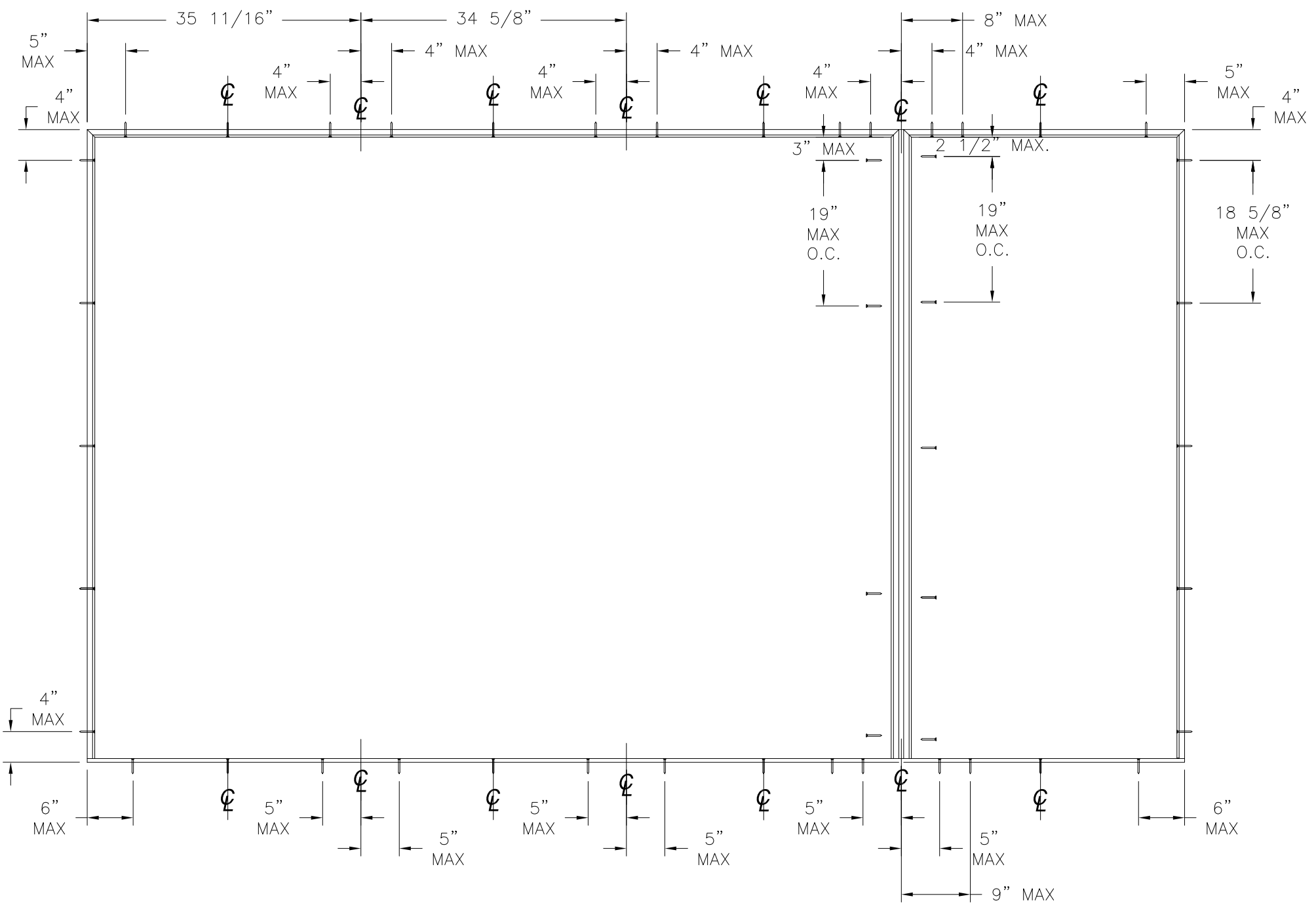
NAN YA PLASTICS CORP. USA
 8989 NORTH LOOP EAST
 HOUSTON, TX 77029

OUT-SWING ENTRANCE DOOR W/ & W/O SIDELITES
 FIBERGLASS CLAD
 APPROVED ELEVATIONS

DRAWN: N.G.	DWG NO. 08-02313	REV A
SCALE NTS	DATE 04/09/14	SHEET 3 OF 10



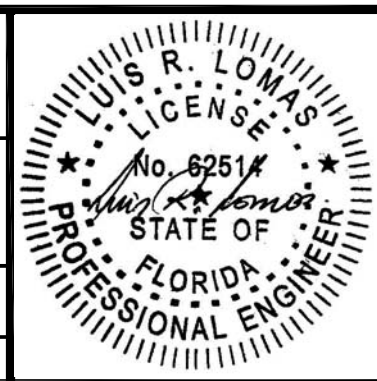
REVISIONS			
REV	DESCRIPTION	DATE	APPROVED
A	ADDED EDGE DISTANCES	11/05/14	R.L.

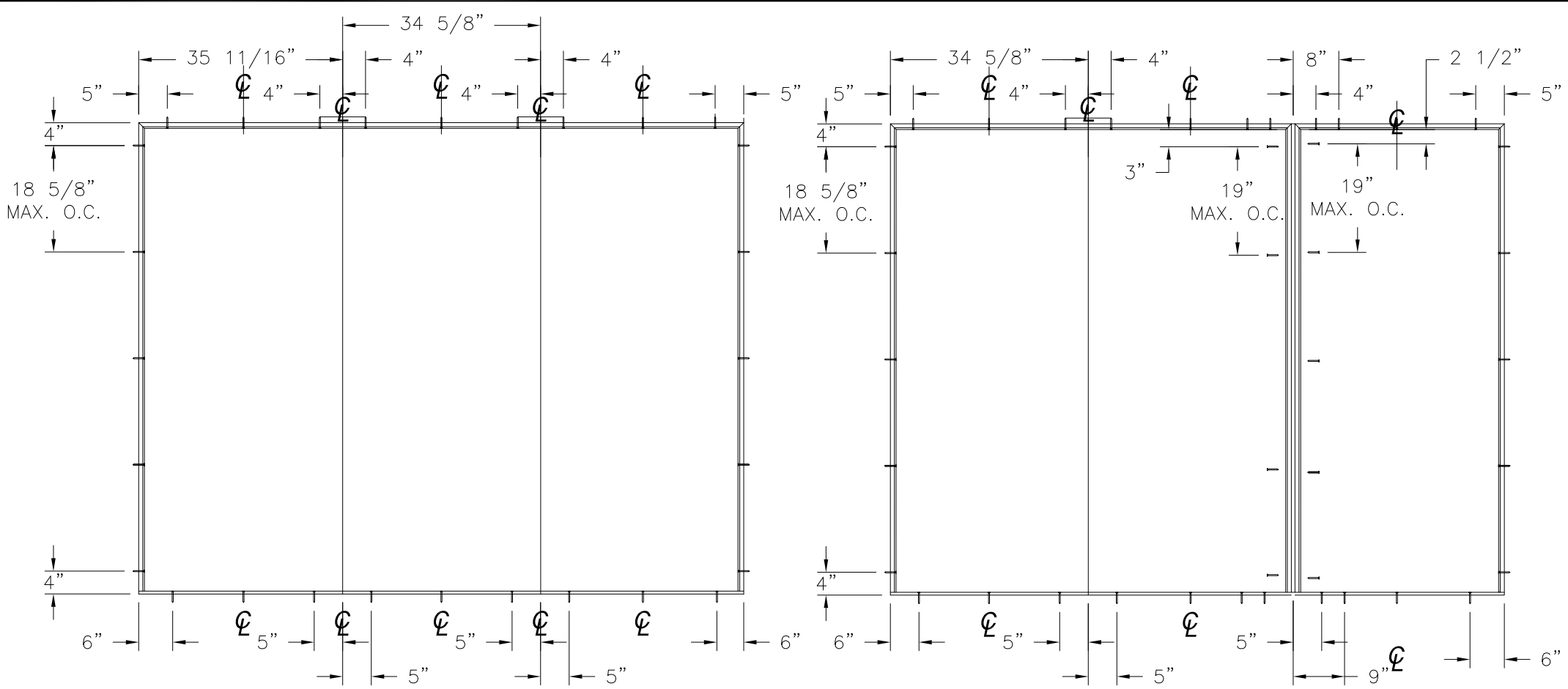


ANCHORING LAYOUT

SIGNED: 11/05/2014

<p>NAN YA PLASTICS CORP. USA 8989 NORTH LOOP EAST HOUSTON, TX 77029</p>		
<p>OUT-SWING ENTRANCE DOOR W/ & W/O SIDELITES FIBERGLASS CLAD ANCHORING LAYOUT</p>		
<p>DRAWN: N.G.</p>	<p>DWG NO. 08-02313</p>	<p>REV A</p>
<p>SCALE NTS</p>	<p>DATE 04/09/14</p>	<p>SHEET 4 OF 10</p>

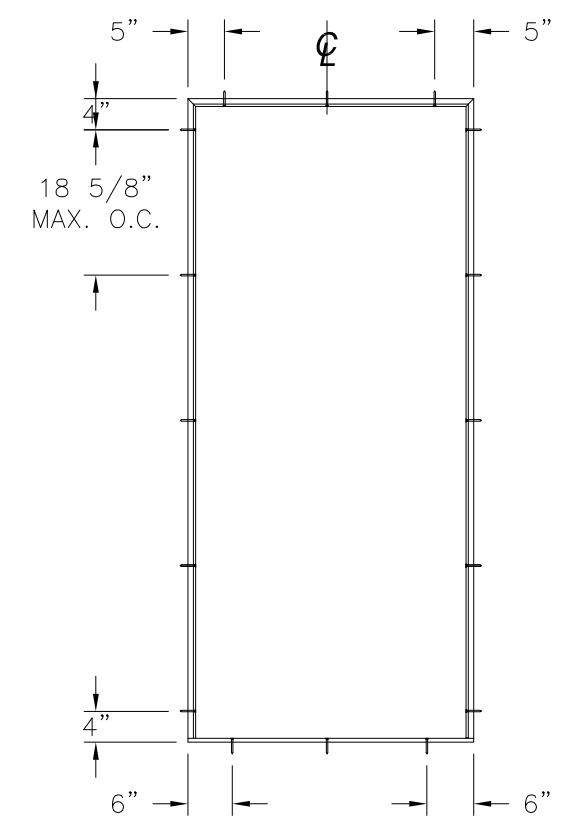




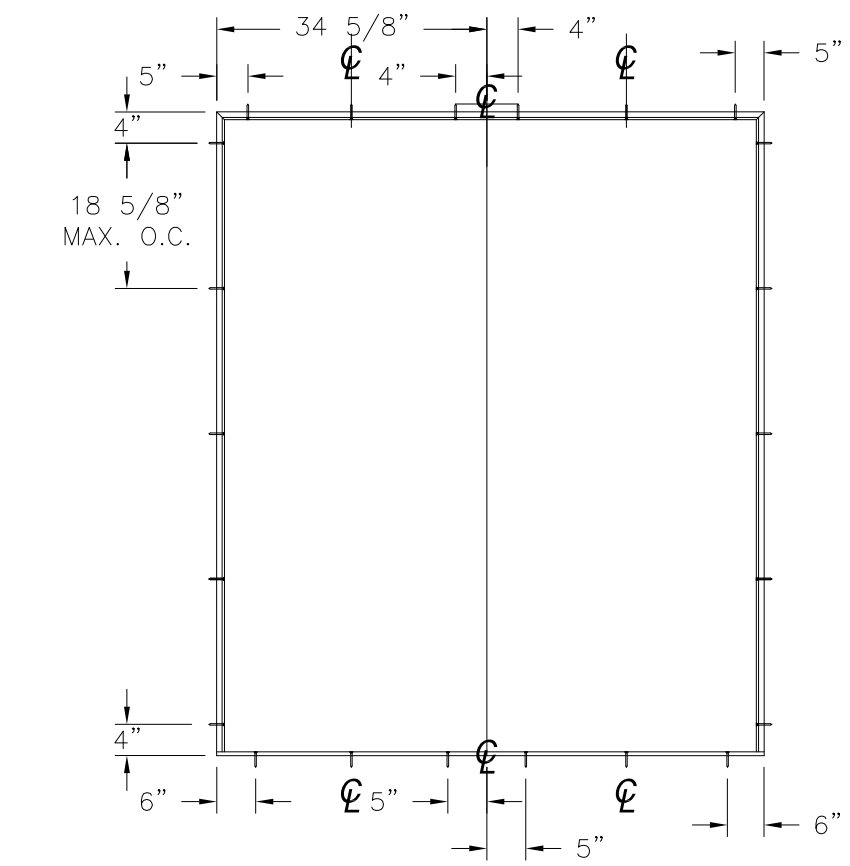
ANCHORING LAYOUT FOR OXO, XXO AND OXX

ANCHORING LAYOUT FOR OXO, XXO AND OXX (MULL)

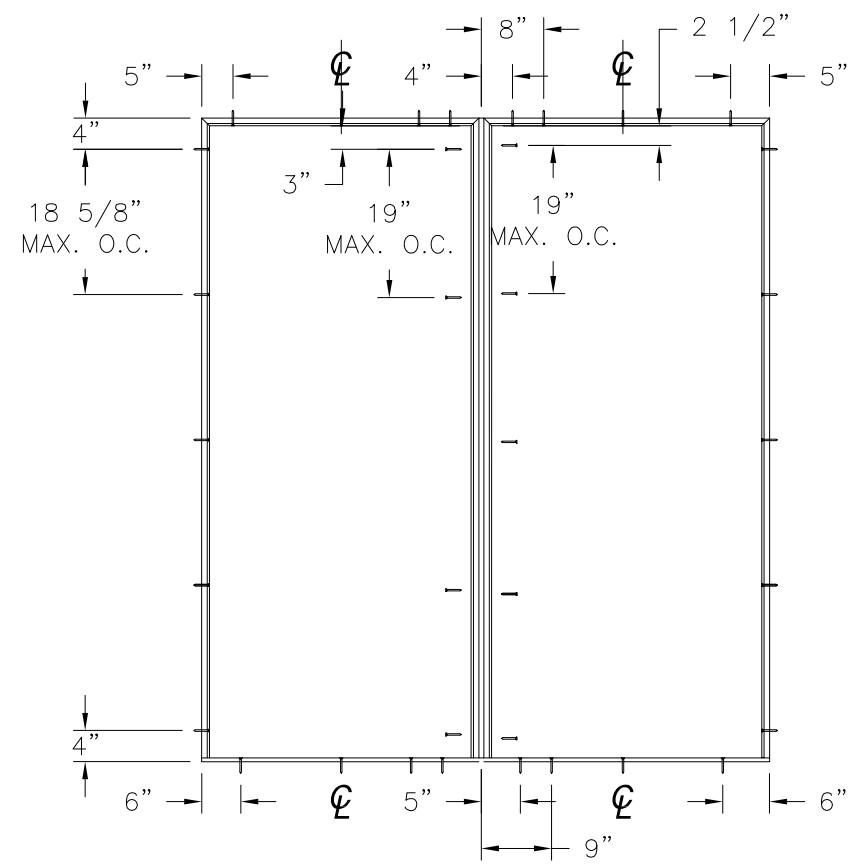
REVISIONS			
REV	DESCRIPTION	DATE	APPROVED
A	ADDED EDGE DISTANCES	11/05/14	R.L.



ANCHORING LAYOUT FOR X



ANCHORING LAYOUT FOR XX, OX AND XO



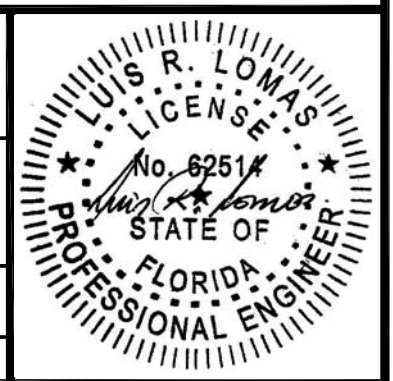
ANCHORING LAYOUT FOR OX AND XO (MULL)

SIGNED: 11/05/2014

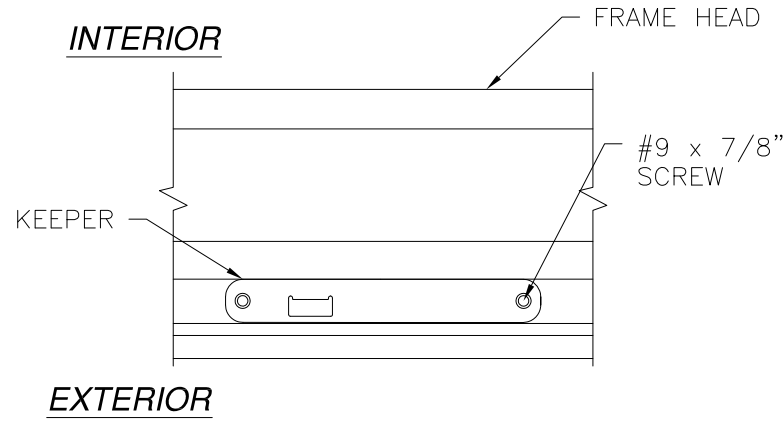
NAN YA PLASTICS CORP. USA
 8989 NORTH LOOP EAST
 HOUSTON, TX 77029

OUT-SWING ENTRANCE DOOR W/ & W/O SIDELITES
 FIBERGLASS CLAD
 ANCHORING LAYOUTS

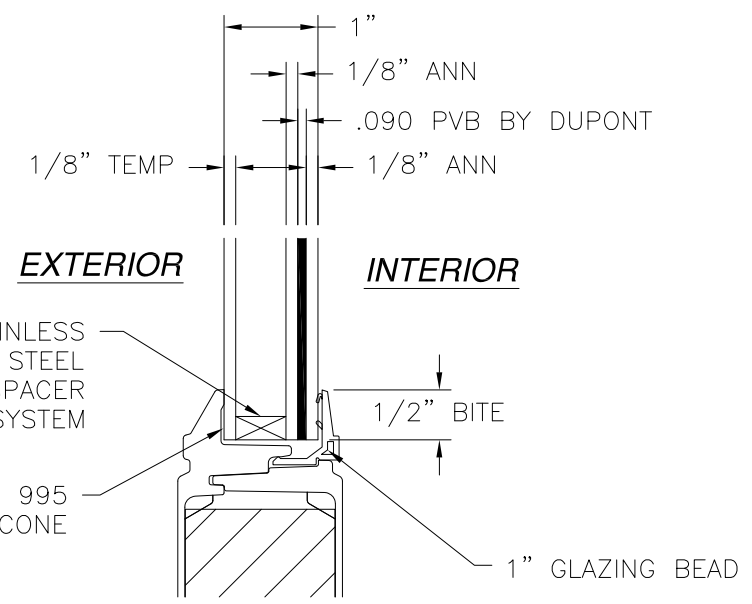
DRAWN: N.G.	DWG NO. 08-02313	REV A
SCALE NTS	DATE 04/09/14	SHEET 5 OF 10



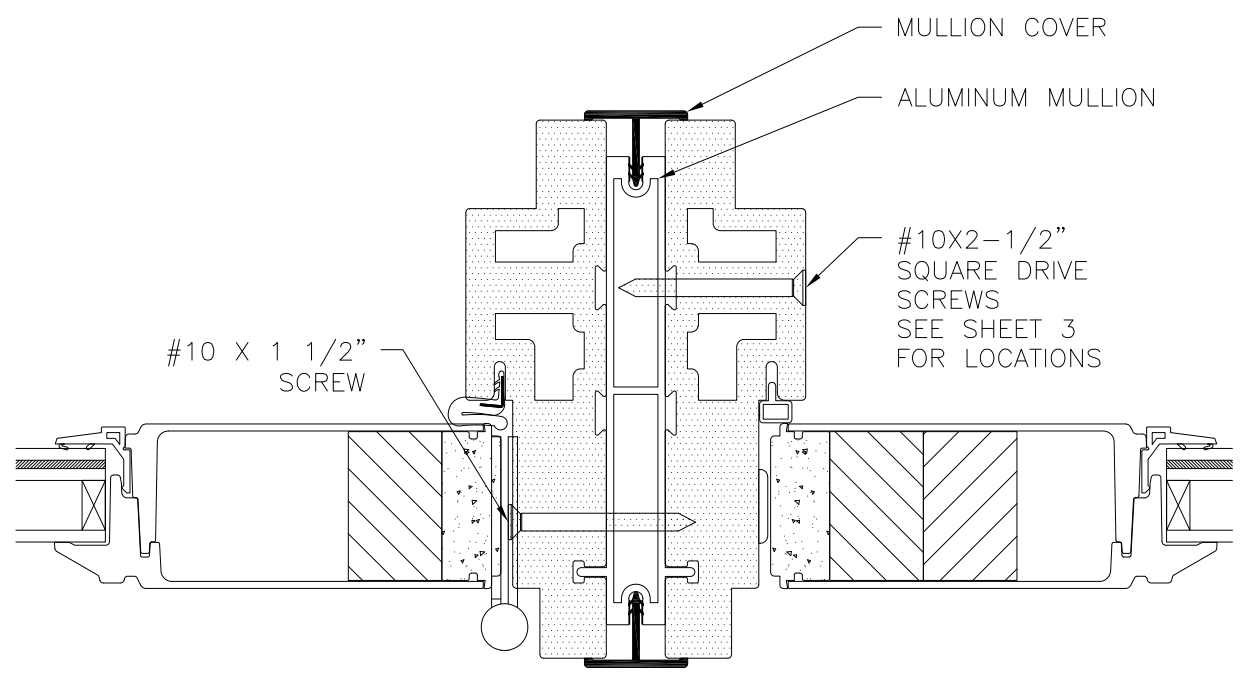
REVISIONS			
REV	DESCRIPTION	DATE	APPROVED
A	ADDED EDGE DISTANCES	11/05/14	R.L.



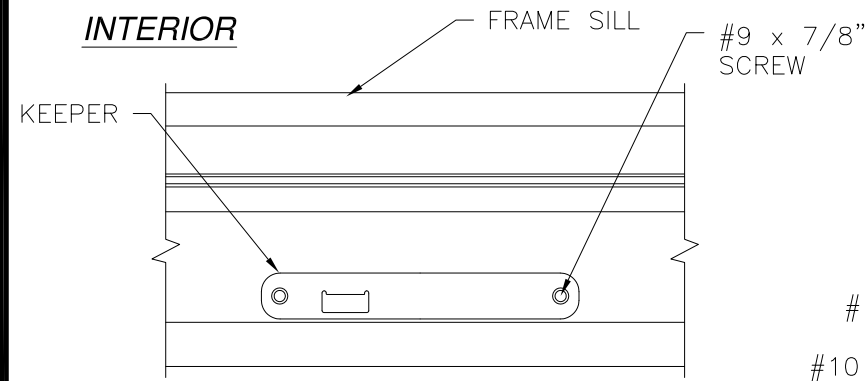
HEAD KEEPER DETAIL



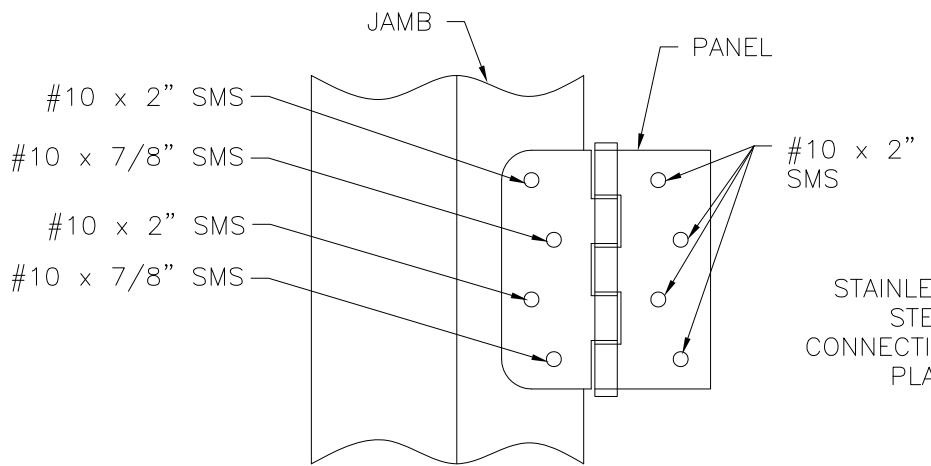
GLAZING DETAIL



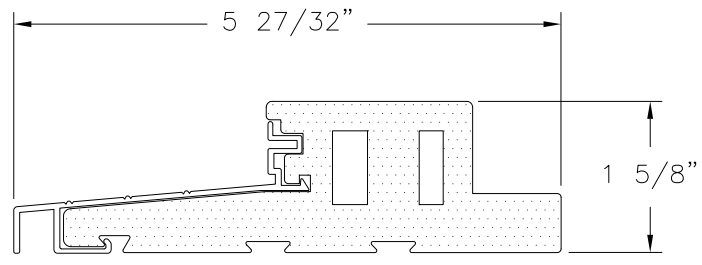
MULLION DETAIL



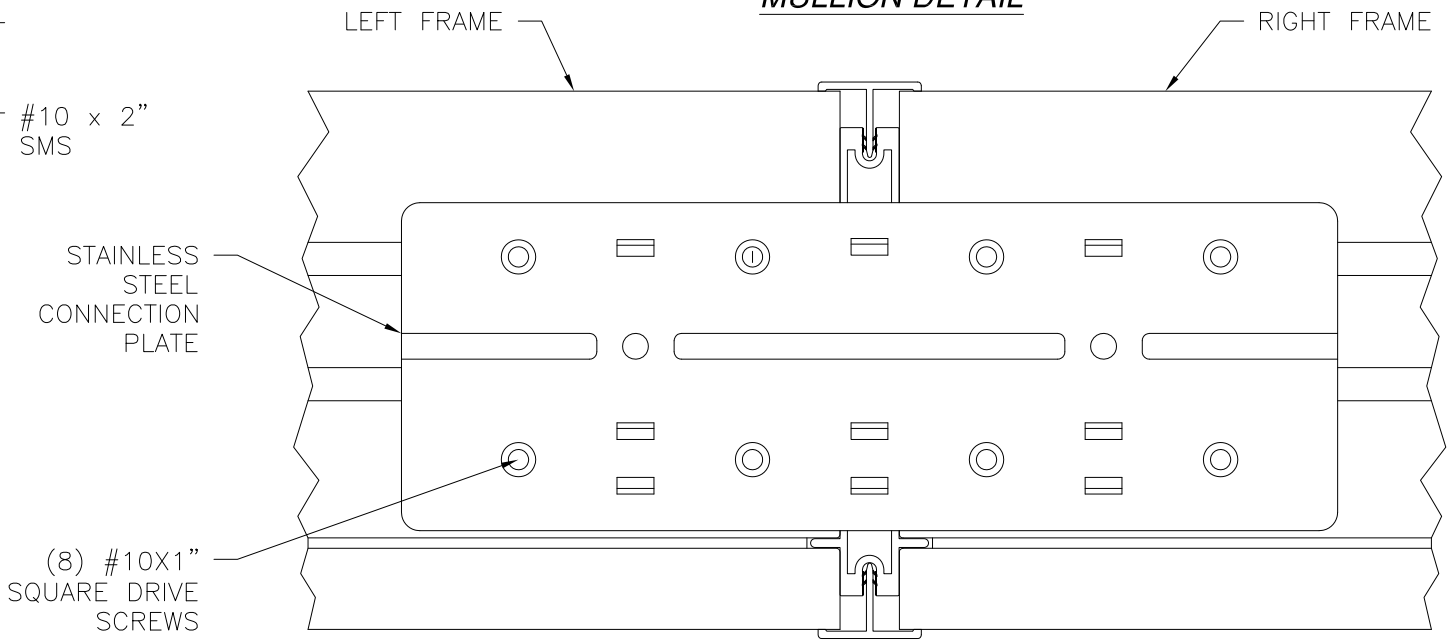
SILL KEEPER DETAIL



HINGE INSTALLATION DETAIL



OUTSWING DOOR SILL DETAIL



FRAME CONNECTION DETAIL

SIGNED: 11/05/2014

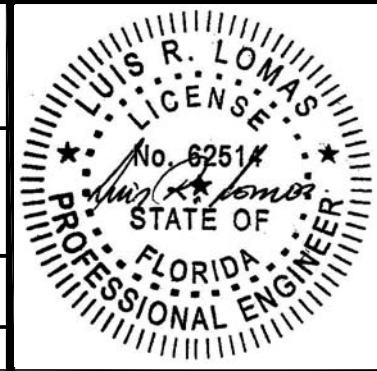
HARDWARE SCHEDULE

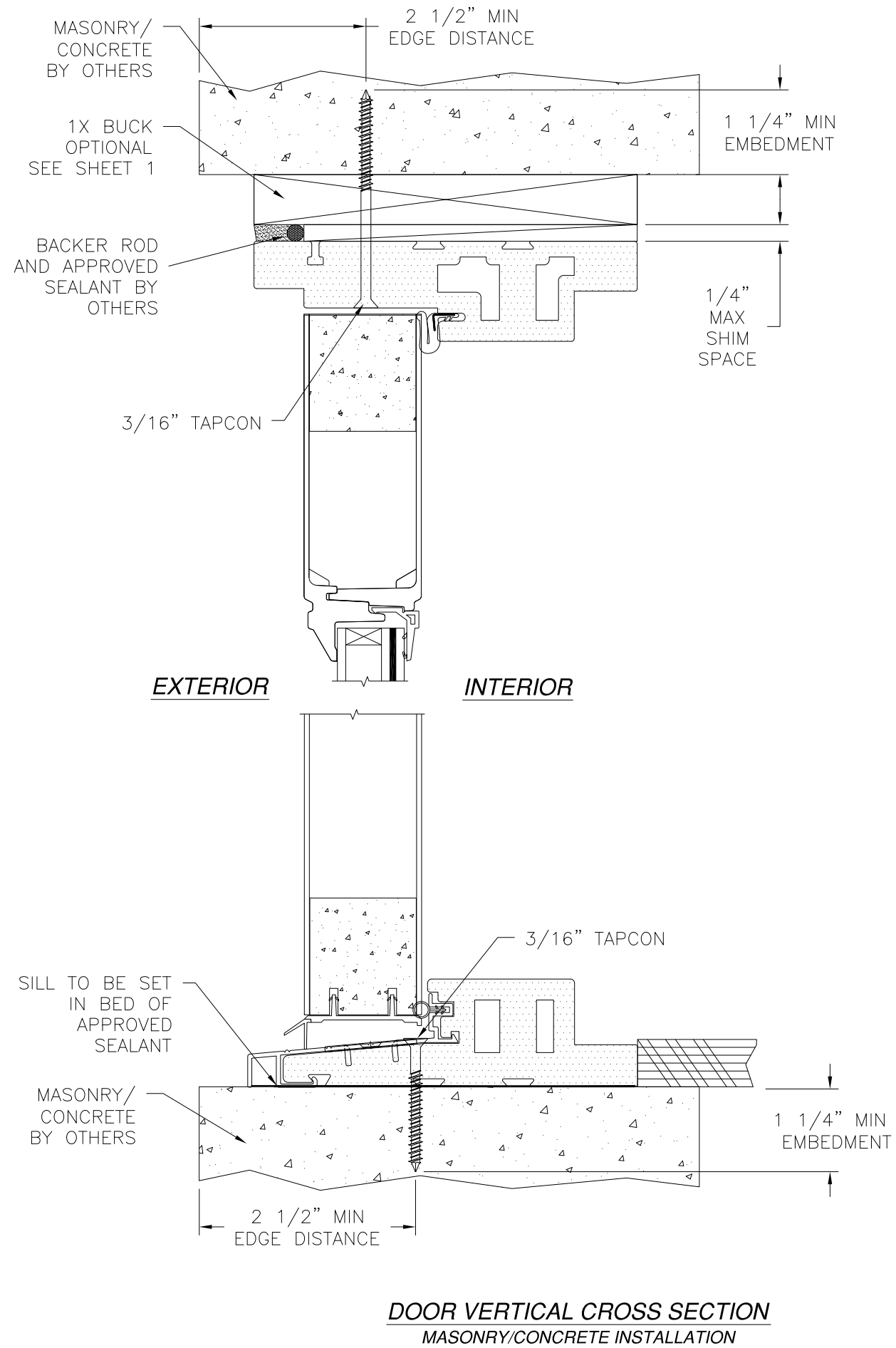
- A. (3) 4" BUTT HINGE
- B. 2 POINT LOCK SYSTEM
- C. RIGID PVC ASTRAGAL WITH ALUMINUM REINFORCEMENT

NAN YA PLASTICS CORP. USA
 8989 NORTH LOOP EAST
 HOUSTON, TX 77029

OUT-SWING ENTRANCE DOOR W/ & W/O SIDELITES
 FIBERGLASS CLAD
 INSTALLATION DETAILS

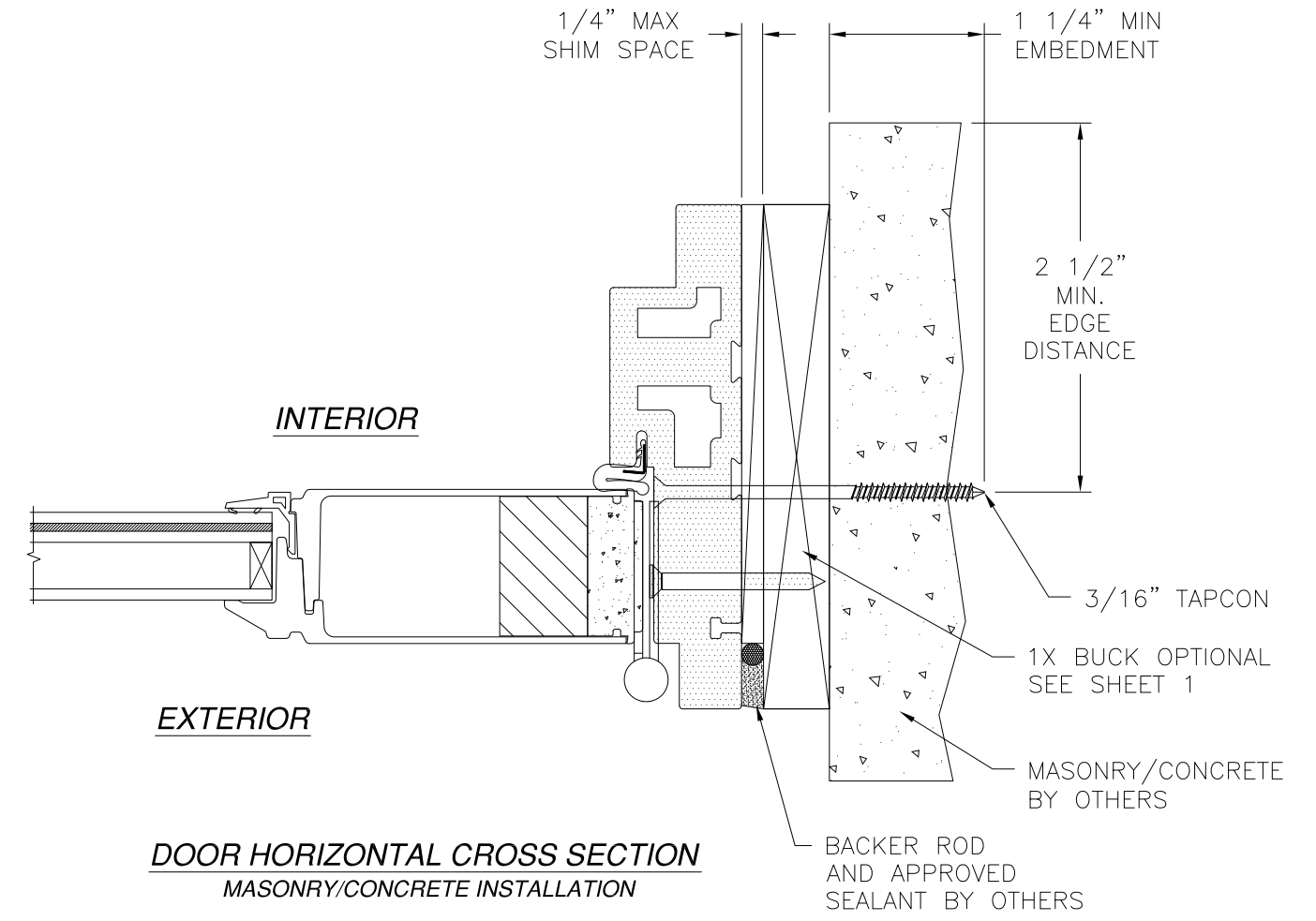
DRAWN: N.G.	DWG NO. 08-02313	REV A
SCALE NTS	DATE 04/09/14	SHEET 6 OF 10





DOOR VERTICAL CROSS SECTION
MASONRY/CONCRETE INSTALLATION

REVISIONS			
REV	DESCRIPTION	DATE	APPROVED
A	ADDED EDGE DISTANCES	11/05/14	R.L.



DOOR HORIZONTAL CROSS SECTION
MASONRY/CONCRETE INSTALLATION

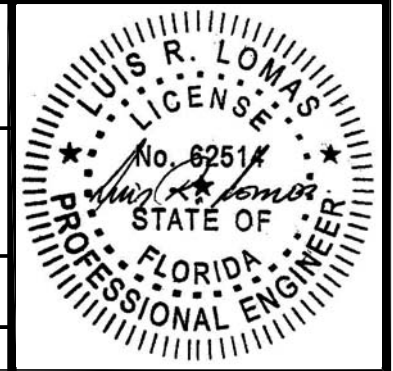
NOTE:
INTERIOR AND EXTERIOR FINISHES, BY OTHERS, NOT SHOWN FOR CLARITY.
ANCHORS MAY BE INSTALLED INSIDE OR OUTSIDE FRAME.

SIGNED: 11/05/2014

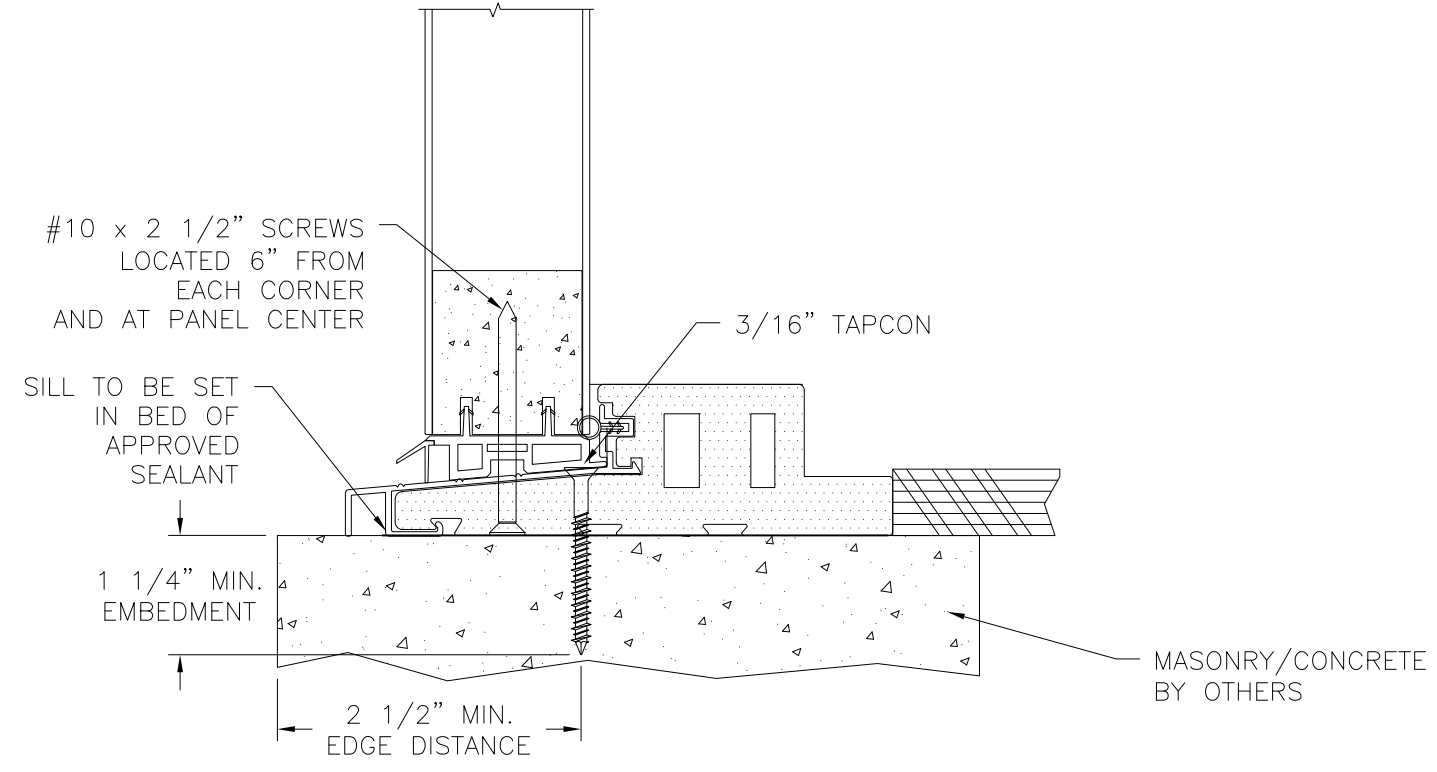
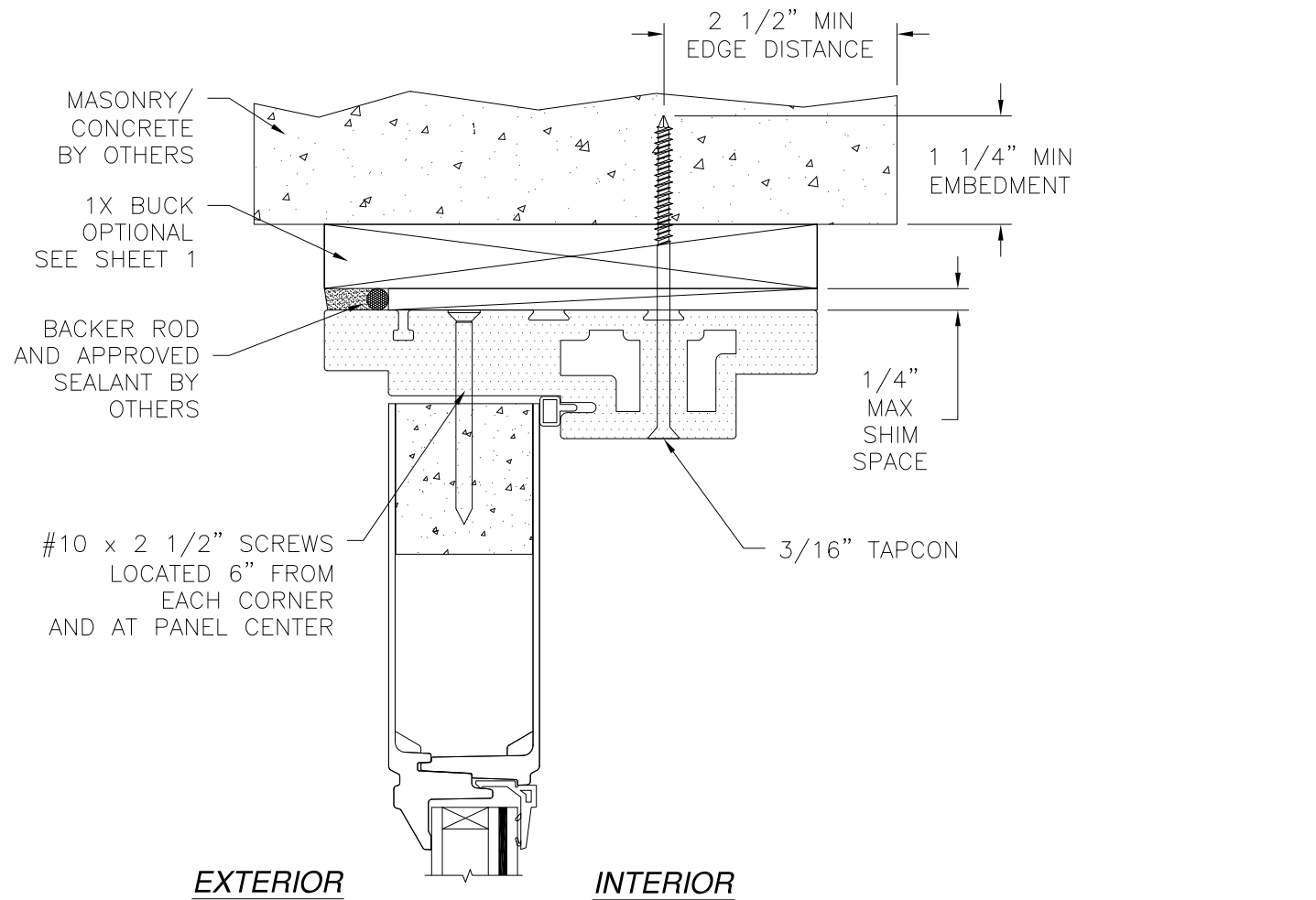
NAN YA PLASTICS CORP. USA
8989 NORTH LOOP EAST
HOUSTON, TX 77029

OUT-SWING ENTRANCE DOOR W/ & W/O SIDELITES
FIBERGLASS CLAD
INSTALLATION DETAILS

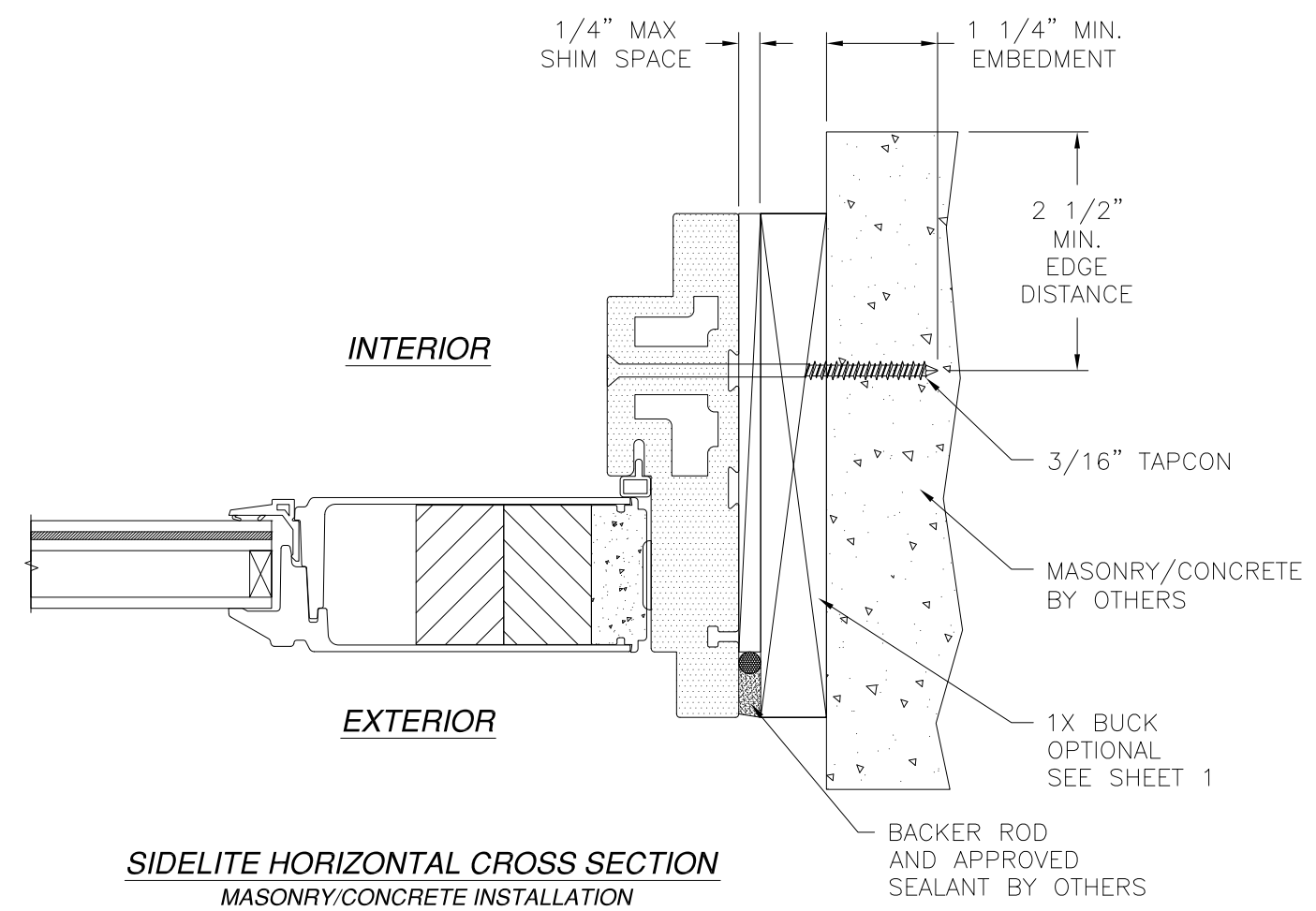
DRAWN: N.G.	DWG NO. 08-02313	REV A
SCALE NTS	DATE 04/09/14	SHEET 7 OF 10



REVISIONS			
REV	DESCRIPTION	DATE	APPROVED
A	ADDED EDGE DISTANCES	11/05/14	R.L.



SIDELITE VERTICAL CROSS SECTION
MASONRY/CONCRETE INSTALLATION

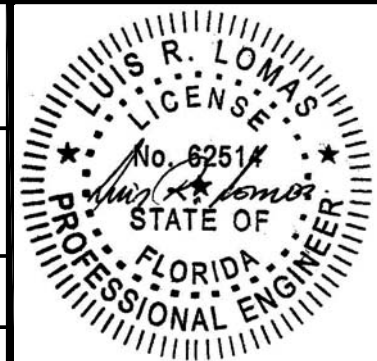


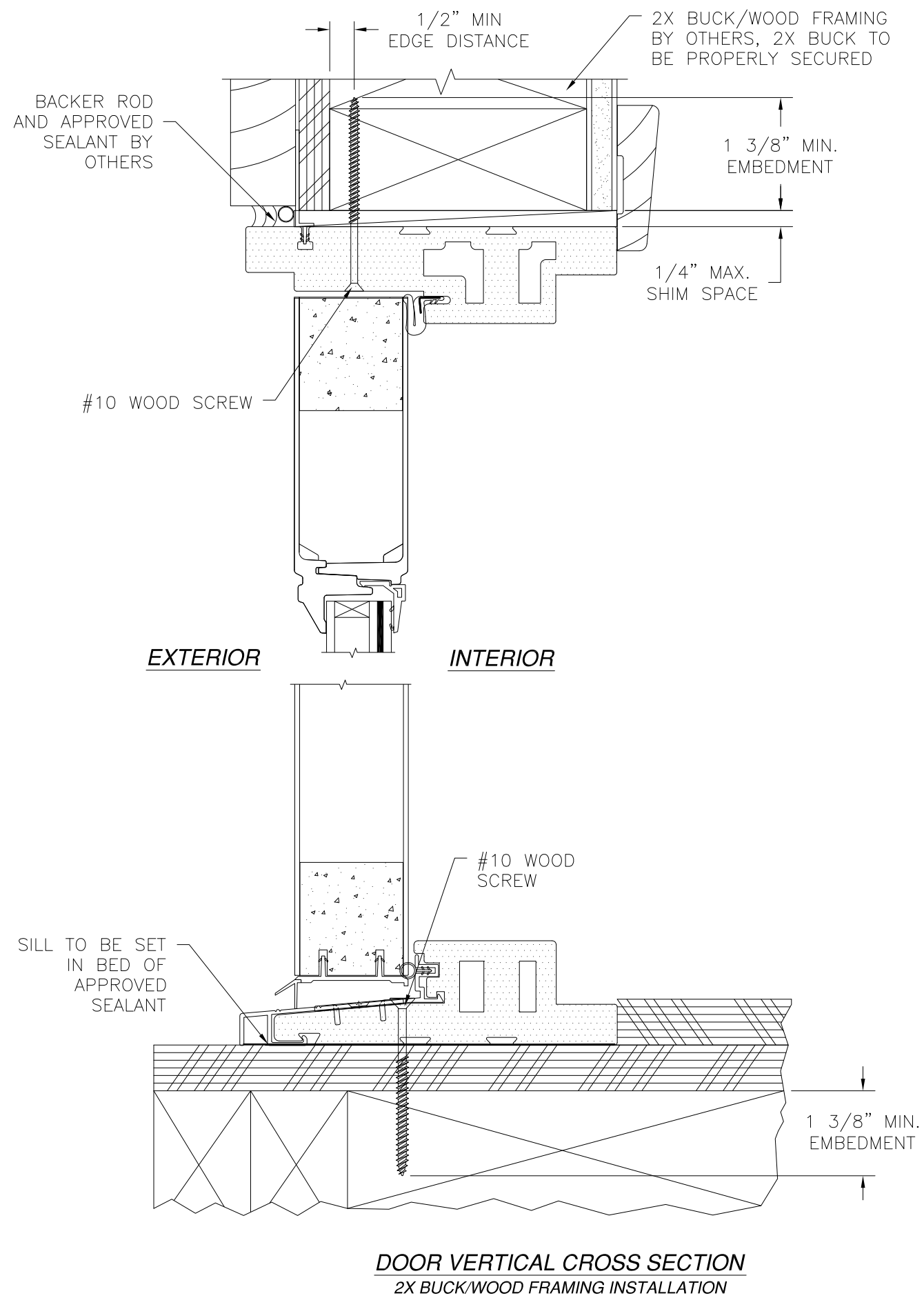
SIDELITE HORIZONTAL CROSS SECTION
MASONRY/CONCRETE INSTALLATION

NOTE:
INTERIOR AND EXTERIOR FINISHES, BY OTHERS, NOT SHOWN FOR CLARITY.

SIGNED: 11/05/2014

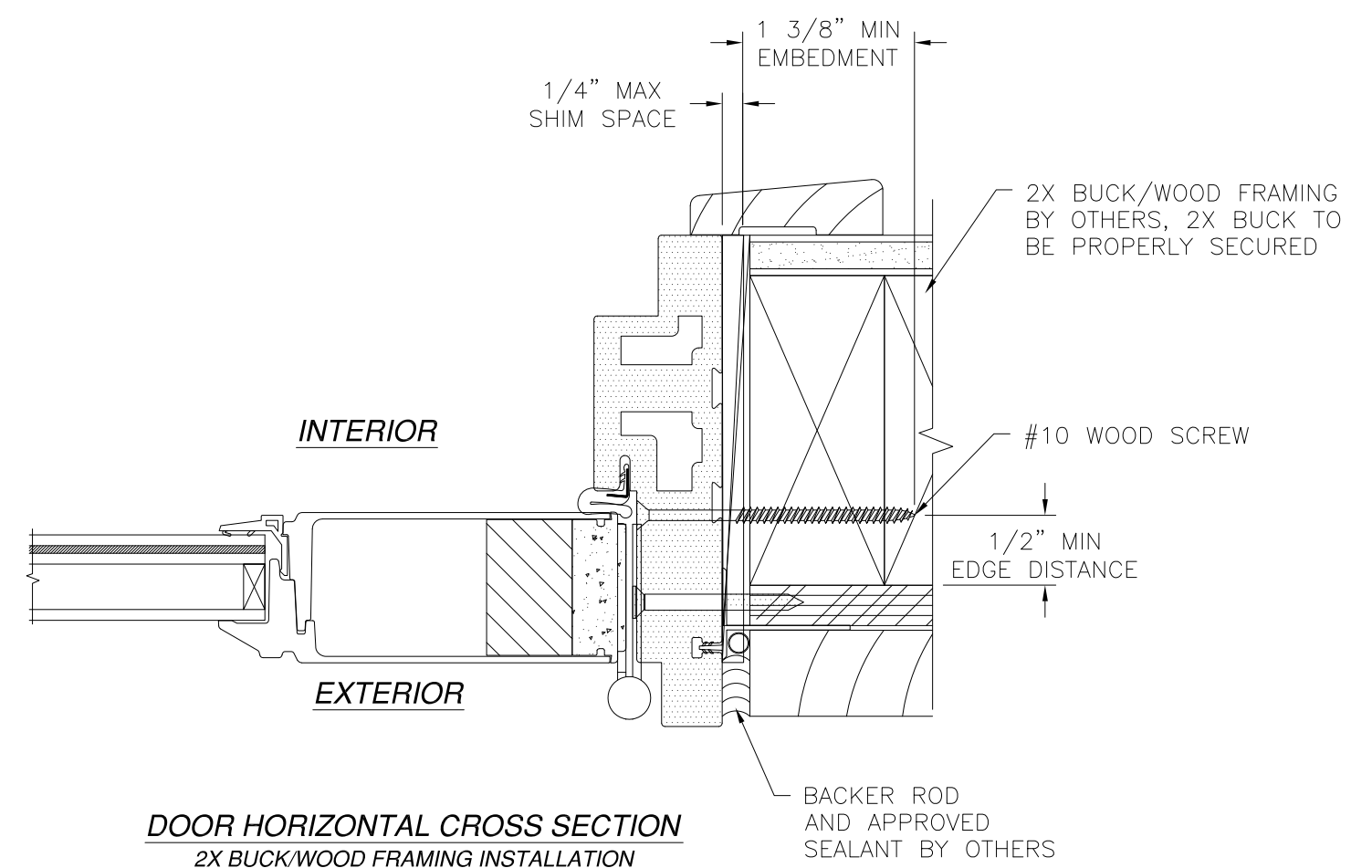
<p>NAN YA PLASTICS CORP. USA 8989 NORTH LOOP EAST HOUSTON, TX 77029</p>		
<p>OUT-SWING ENTRANCE DOOR W/ & W/O SIDELITES FIBERGLASS CLAD INSTALLATION DETAILS</p>		
<p>DRAWN: N.G.</p>	<p>DWG NO. 08-02313</p>	<p>REV A</p>
<p>SCALE NTS</p>	<p>DATE 04/09/14</p>	<p>SHEET 8 OF 10</p>





DOOR VERTICAL CROSS SECTION
2X BUCK/WOOD FRAMING INSTALLATION

REVISIONS			
REV	DESCRIPTION	DATE	APPROVED
A	ADDED EDGE DISTANCES	11/05/14	R.L.

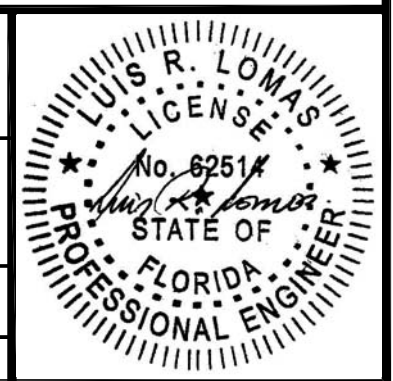


DOOR HORIZONTAL CROSS SECTION
2X BUCK/WOOD FRAMING INSTALLATION

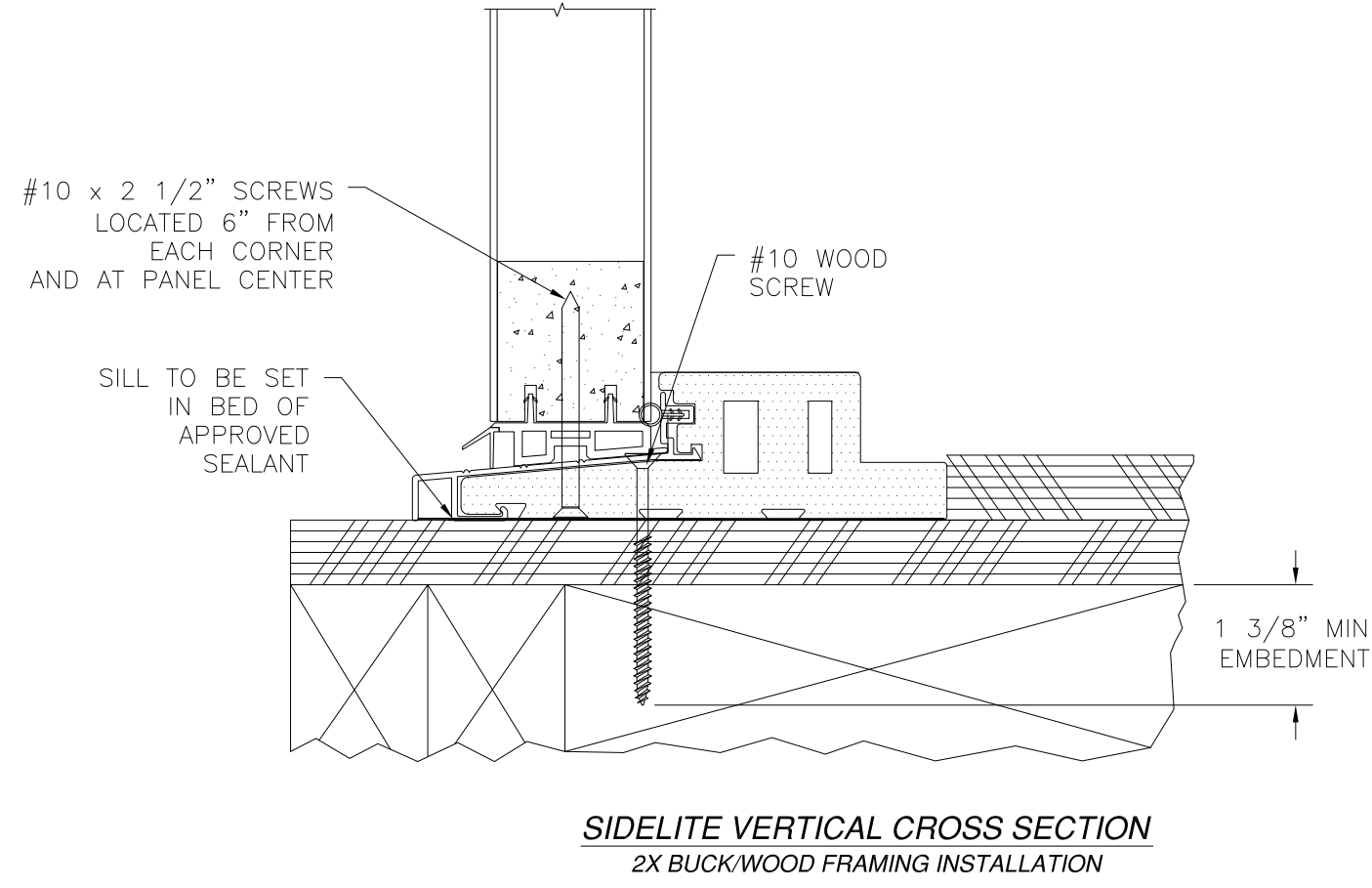
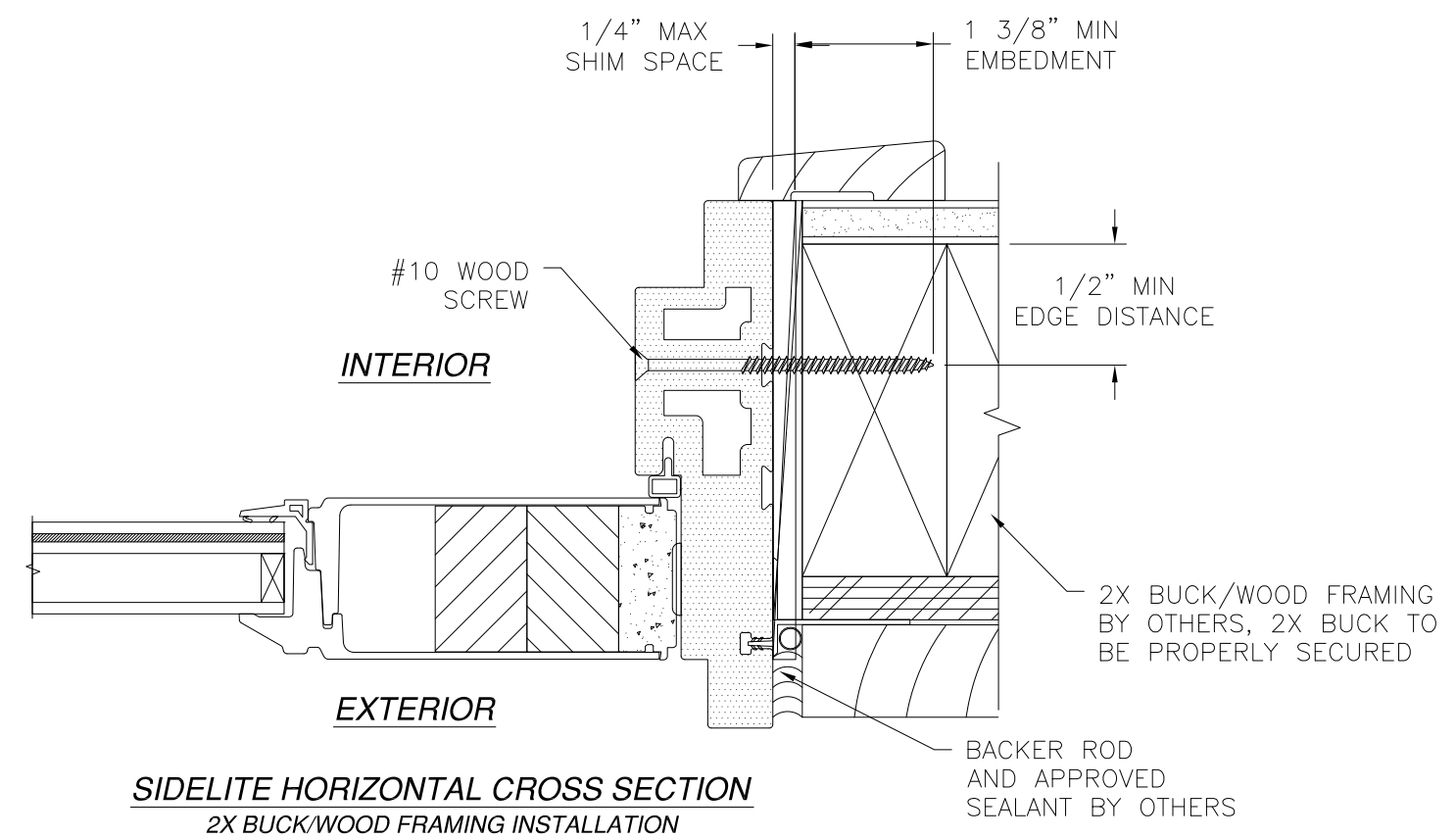
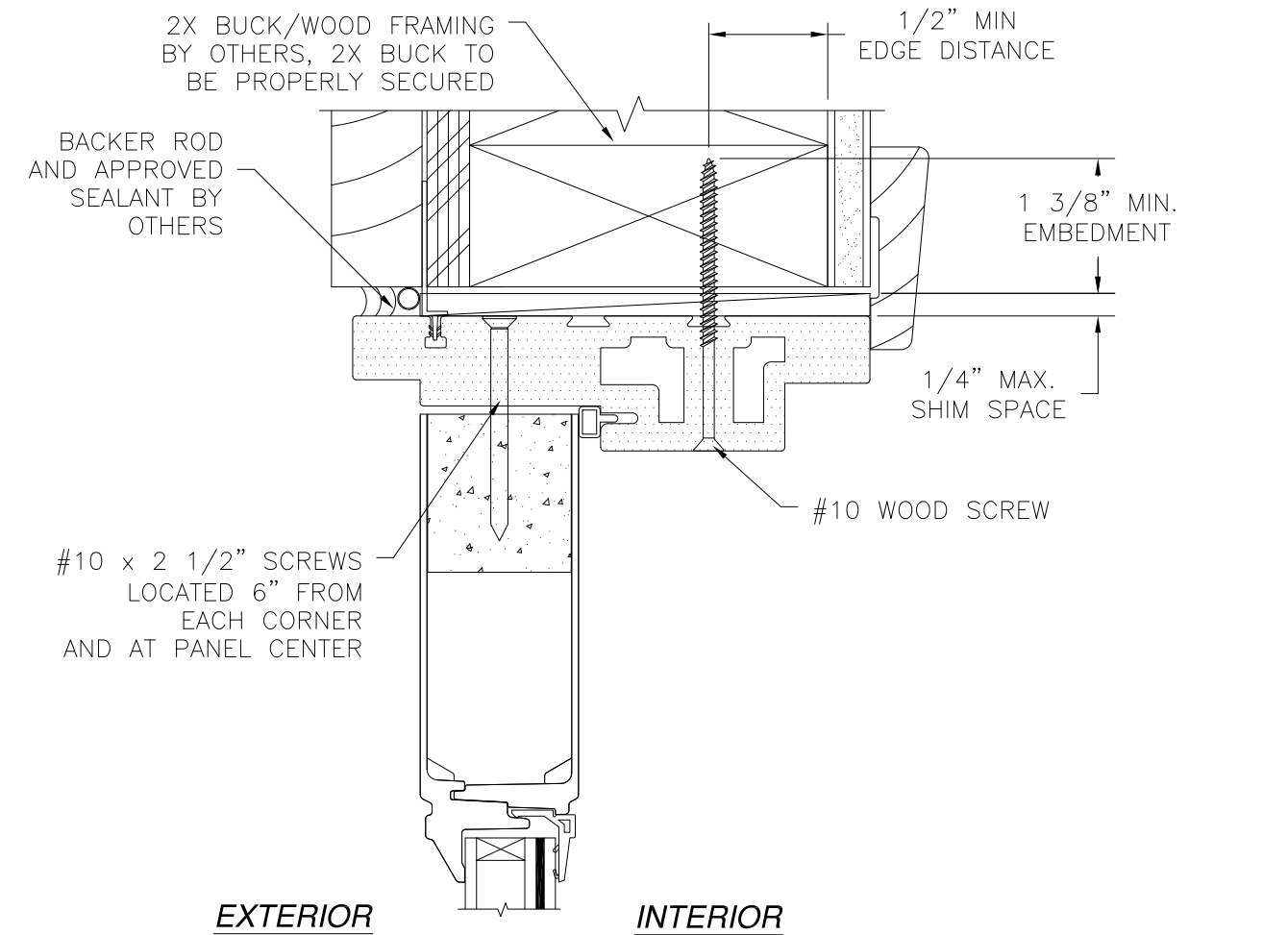
NOTE:
INTERIOR AND EXTERIOR FINISHES, BY OTHERS, NOT SHOWN FOR CLARITY.
ANCHORS MAY BE INSTALLED INSIDE OR OUTSIDE FRAME.

SIGNED: 11/05/2014

<p>NAN YA PLASTICS CORP. USA 8989 NORTH LOOP EAST HOUSTON, TX 77029</p>		
<p>OUT-SWING ENTRANCE DOOR W/ & W/O SIDELITES FIBERGLASS CLAD INSTALLATION DETAILS</p>		
DRAWN: N.G.	DWG NO. 08-02313	REV A
SCALE NTS	DATE 04/09/14	SHEET 9 OF 10



REVISIONS			
REV	DESCRIPTION	DATE	APPROVED
A	ADDED EDGE DISTANCES	11/05/14	R.L.



SIGNED: 11/05/2014

NAN YA PLASTICS CORP. USA
8989 NORTH LOOP EAST
HOUSTON, TX 77029

OUT-SWING ENTRANCE DOOR W/ & W/O SIDELITES
FIBERGLASS CLAD
INSTALLATION DETAILS

DRAWN: N.G.	DWG NO. 08-02313	REV A
SCALE NTS	DATE 04/09/14	SHEET 10 OF 10

