

Florida Building Code Product Approval
FL14752.31-R3 Impact 12'0" x 8'0" Outswing, Full Lite DP70

FL #	FL14752-R3						
Application Type	Revision						
Code Version	2010						
Application Status	Approved						
	*Approved by DBPR. Approvals by DBPR shall be reviewed and ratified by the POC and/or the Commission if necessary.						
Comments							
Archived	<input type="checkbox"/>						
Product Manufacturer	Nan Ya Plastics Corporation USA						
Address/Phone/Email	8989 North Loop East Houston, TX 77029 (713) 674-7822 Ext 105 ajen96@yahoo.com.tw						
Authorized Signature	RUSKIN WU ajen96@yahoo.com.tw						
Technical Representative	Ruskin Wu						
Address/Phone/Email	8989 North Loop East Houston, TX 77029-1217 (713) 674-7822 Ext 105 ajen96@yahoo.com.tw						
Quality Assurance Representative							
Address/Phone/Email							
Category	Exterior Doors						
Subcategory	Swinging Exterior Door Assemblies						
Compliance Method	Certification Mark or Listing						
Certification Agency	National Accreditation & Management Institute						
Validated By	National Accreditation & Management Institute,						
Referenced Standard and Year (of Standard)	<table border="0"> <thead> <tr> <th><u>Standard</u></th> <th><u>Year</u></th> </tr> </thead> <tbody> <tr> <td>AAMA/NWWDA 101/I.S.2</td> <td>1997</td> </tr> <tr> <td>AAMA/WDMA</td> <td>2002</td> </tr> </tbody> </table>	<u>Standard</u>	<u>Year</u>	AAMA/NWWDA 101/I.S.2	1997	AAMA/WDMA	2002
<u>Standard</u>	<u>Year</u>						
AAMA/NWWDA 101/I.S.2	1997						
AAMA/WDMA	2002						

Florida Building Code Product Approval
FL14752.31-R3 Impact 12'0" x 8'0" Outswing, Full Lite DP70

	101/I.S.2/NAFS AAMA/WDMA/CSA 101/I.S.2/A440 ASTM E1886 ASTM E1886 ASTM E1996 ASTM E1996 ASTM E1996 ASTM E330	2008 2005 2002 2002 2005 2006 2002
Equivalence of Product Standards Certified By		
Product Approval Method	Method 1 Option A	
Date Submitted	10/22/2014	
Date Validated	11/24/2014	
Date Pending FBC Approval		
Date Approved	11/25/2014	

14752.31	Series SLPS 6'8" OS 3/4" Lite Fiberglass Patio Door	Series SLPS 6'8" OS 3/4" Lite Fiberglass Patio Door - Non-Impact
Limits of Use Approved for use in HVHZ: No Approved for use outside HVHZ: Yes Impact Resistant: No Design Pressure: +50/-50 Other: UNITS GLAZED WITH SAFETY GLASS PER ASTM E1300-04.		Certification Agency Certificate FL14752_R3_C_CAC_NI011619.01.pdf Quality Assurance Contract Expiration Date 06/30/2017 Installation Instructions FL14752_R3_II_08-02238A.pdf Verified By: Luis Roberto Lomas 62514 Created by Independent Third Party: Yes Evaluation Reports FL14752_R3_AE_512958A.pdf Created by Independent Third Party: Yes

NOTICE OF PRODUCT CERTIFICATION



CERTIFICATION NO: NI011619.01
DATE: 04/09/2014
CERTIFICATION PROGRAM: Structural
COMPANY: Nan Ya Plastics
CODE: 661-1

To verify that the "Notice of Product Certification" is valid, please visit www.NAMICertification.com to assure that the product is active and currently listed. This certification represents product conformity to the applicable specification and that certification criteria has been satisfied. Please review and advise NAMI if any corrections are required to this document.

COMPANY NAME AND ADDRESS	PRODUCT DESCRIPTION
Nan Ya Plastics Corporation U.S.A. 8989 North Loop East Houston, TX 77029	Series "SLPS" 6'8" Height Outswing Patio 3/4" Lite Patio Door (Non-Impact) Fiberglass Out-Swing Side-Hinged Door Configuration: OXXO Glazing: Insulating Glass (Tempered) Frame: W-3635mm(143.12") H-2019mm(79.5") Panel: W-876mm(34.50") H-1964mm(77.31") DLO: W-641mm(25.25") H-1200mm(47.25")

SPECIFICATION	PRODUCT RATING
AAMA/WDMA/CSA 101/I.S.2/A440-08	Class R-PG50 3635 x 2019 (143 x 79)-SHD Design Pressure: 2400 Pa (50 psf) Water Penetration Resistance Test Pressure: 360 Pa(7.5 psf) Qualifies Configurations: O/X/OX/XO/XX/OXX/XXO/OXO/OXXO

Product Tested By: National Certified Testing Laboratories
Report No: NCTL-210-3891-1/W-1677
Expiration Date: **June 30, 2017**

Administrator's Signature: _____

**NATIONAL ACCREDITATION AND
MANAGEMENT INSTITUTE, INC.**
4794 George Washington Memorial Highway
Hayes, VA 23072
Tel: (804) 684-5124
Fax: (804) 684-5122

L. Roberto Lomas P.E.

233 W. Main St.
Danville, VA 24541
434-688-0609
rlomas@lrlomaspe.com

Engineering Evaluation Report

Report No.: 512958A

Manufacturer: Nan Ya Plastics Corp. USA
8989 North Loop East
Houston, TX 77029

Product Line: Series SLPS 6'8" OS 3/4 Lite Fiberglass Patio Door – Non Impact

Compliance:

The above mentioned product has been evaluated for compliance with the requirements of the Florida Department of Business and Professional Regulation for Statewide Acceptance per Rule 61G20-3.005 method 1(a). The product listed herein complies with requirements of the Florida Building Code.

Supporting Technical Documentation:

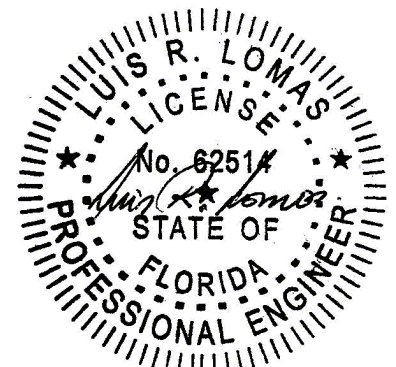
1. Approval document: drawing number 08-02238 Revision A, prepared, signed and sealed by Luis Roberto Lomas P.E.
2. Report No.: NCTL-210-3891-01 signed and sealed by Gerard J. Ferrara P.E.
National Certified Testing Laboratories, Orlando, FL.
AAMA/WDMA/CSA101/I.S.2/A440-08
Design pressure: ±50.0psf
Water penetration resistance 7.5psf
3. Anchor calculations, report number 512958-1, prepared, signed and sealed by Luis Roberto Lomas P.E.

Limitations and Conditions of use:

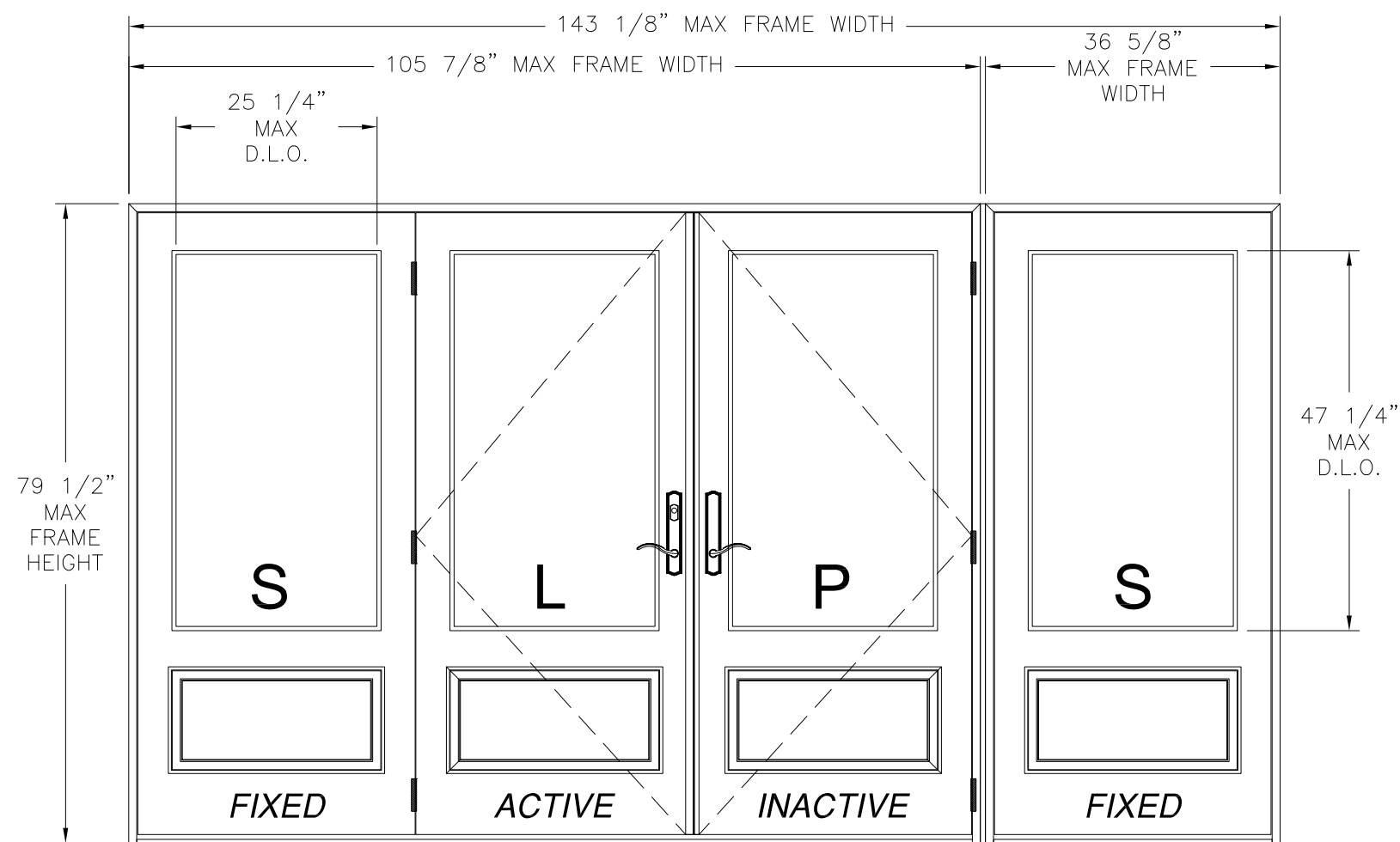
- Maximum design pressure: ±50.0psf
- Maximum frame size: 143 1/8" x 79 1/2"
- Units must be glazed per ASTM E1300-04, refer to approval document for glass type.
- This product is not rated to be used in the HVHZ.
- This product is not impact resistant and requires impact protection in wind borne debris regions.
- Frame material to be CO-Extruded PVC Foam.

Installation: Units must be installed in accordance with approval document, 08-02238 Revision A.

Certification of Independence: Please note that I don't have nor will acquire a financial interest in any company manufacturing or distributing the product(s) for which this report is being issued. Also, I don't have nor will acquire a financial interest in any other entity involved in the approval process of the listed product(s).



REVISIONS			
REV	DESCRIPTION	DATE	APPROVED
A	ADDED EDGE DIMENSIONS	11/06/14	R.L.



SERIES SLPS 6'8" OS
3/4 LITE FIBERGLASS PATIO DOOR
EXTERIOR VIEW

DESIGN PRESSURE RATING	IMPACT RATING
±50.0PSF	NONE

NOTES:

1. THE PRODUCT SHOWN HEREIN IS DESIGNED AND MANUFACTURED TO COMPLY WITH REQUIREMENTS OF THE FLORIDA BUILDING CODE.
2. WOOD FRAMING AND MASONRY OPENING TO BE DESIGNED AND ANCHORED TO PROPERLY TRANSFER ALL LOADS TO STRUCTURE. FRAMING AND MASONRY OPENING IS THE RESPONSIBILITY OF THE ARCHITECT OR ENGINEER OF RECORD.
3. 1X BUCK OVER MASONRY/CONCRETE IS OPTIONAL. WHERE 1X BUCK IS NOT USED DISSIMILAR MATERIALS MUST BE SEPARATED WITH APPROVED COATING OR MEMBRANE. SELECTION OF COATING OR MEMBRANE IS THE RESPONSIBILITY OF THE ARCHITECT OR ENGINEER OF RECORD.
4. ALLOWABLE STRESS INCREASE OF 1/3 WAS NOT USED IN THE DESIGN OF THE PRODUCT SHOWN HEREIN. WIND LOAD DURATION FACTOR Cd=1.6 WAS USED FOR WOOD ANCHOR CALCULATIONS.
5. FRAME MATERIAL: CO-EXTRUDED PVC FOAM.
6. UNITS MUST BE GLAZED PER ASTM E1300-04.
7. APPROVED IMPACT PROTECTIVE SYSTEM IS REQUIRED FOR THIS PRODUCT IN WIND BORNE DEBRIS REGIONS.
8. SHIM AS REQUIRED AT EACH INSTALLATION ANCHOR WITH LOAD BEARING SHIM. SHIM WHERE SPACE OF 1/16" OR GREATER OCCURS. MAXIMUM ALLOWABLE SHIM STACK TO BE 1/4".
9. FOR ANCHORING INTO WOOD FRAMING OR 2X BUCK USE #10 WOOD SCREWS WITH SUFFICIENT LENGTH TO ACHIEVE A 1 3/8" MINIMUM EMBEDMENT INTO SUBSTRATE. LOCATE ANCHORS AS SHOWN IN ELEVATIONS AND INSTALLATION DETAILS.
10. FOR ANCHORING INTO MASONRY/CONCRETE USE 3/16" TAPCONS WITH SUFFICIENT LENGTH TO ACHIEVE A 1 1/4" MINIMUM EMBEDMENT INTO SUBSTRATE WITH 2 1/2" MINIMUM EDGE DISTANCE. LOCATE ANCHORS AS SHOWN IN ELEVATIONS AND INSTALLATION DETAILS.
11. ALL FASTENERS TO BE CORROSION RESISTANT.
12. INSTALLATION ANCHORS SHALL BE INSTALLED IN ACCORDANCE WITH ANCHOR MANUFACTURER'S INSTALLATION INSTRUCTIONS AND ANCHORS SHALL NOT BE USED IN SUBSTRATES WITH STRENGTHS LESS THAN THE MINIMUM STRENGTH SPECIFIED BELOW:
 - A. WOOD - MINIMUM SPECIFIC GRAVITY OF G=0.42
 - B. CONCRETE - MINIMUM COMPRESSIVE STRENGTH OF 3,192 PSI.
 - C. MASONRY - STRENGTH CONFORMANCE TO ASTM C-90, GRADE N, TYPE 1 (OR GREATER).
13. APPROVED CONFIGURATIONS: X, OX, XO, X/O, O/X, XX, OXX, XXO, O/XX, XX/O, OXO, O/XO, OX/O, O/XXO, OXX/O AND OXXO, SEE SHEET 2.
14. MAXIMUM PANEL SIZE: 34 1/2" X 77 5/16"
15. SIDELITES ARE ASSEMBLED TO FRAME WITH #10X2 1/2" WOOD SCREWS LOCATED 4" FROM EACH END AND 26 7/8" MAX O.C. THEREAFTER AT JAMBS AND 4" FROM EACH END AND ONE AT MIDSPAN AT HEAD AND SILL.

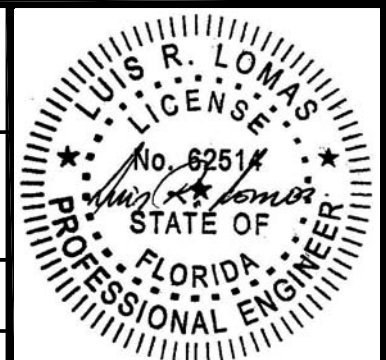
SIGNED: 11/06/2014

TABLE OF CONTENTS	
SHEET NO.	DESCRIPTION
1, 2	ELEVATION AND NOTES
3, 4	ANCHORING LAYOUTS
5 - 10	INSTALLATION DETAILS

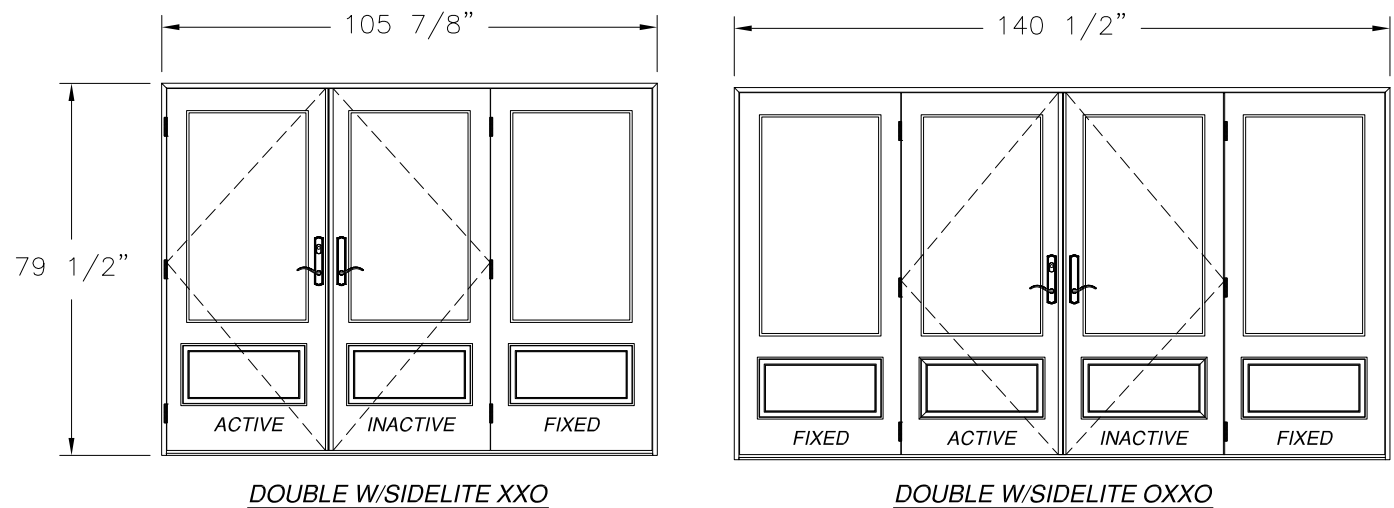
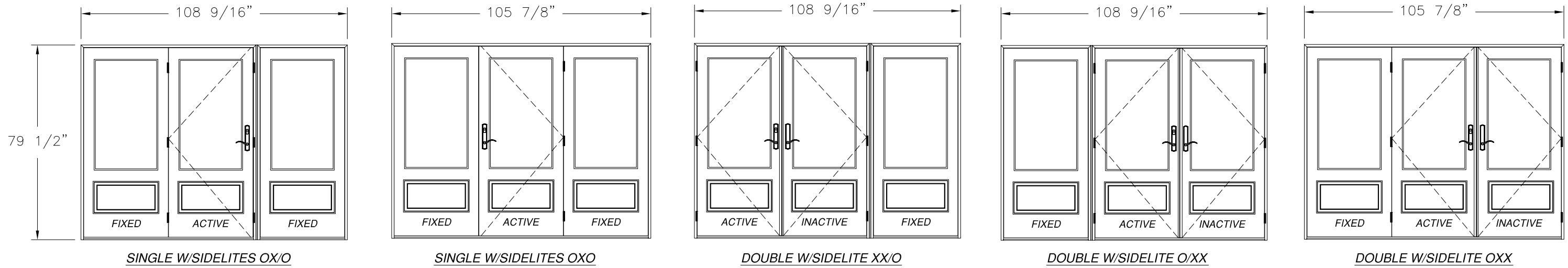
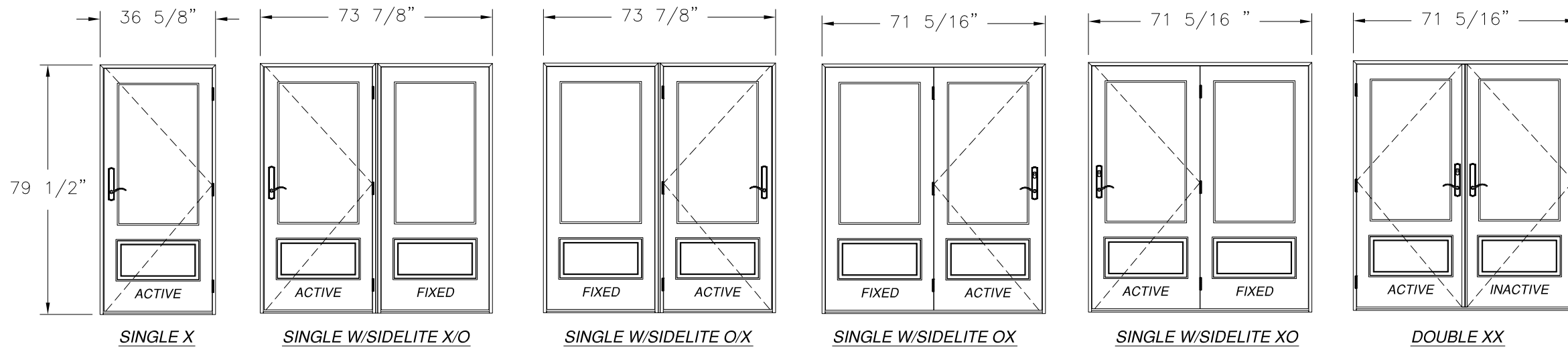
NAN YA PLASTICS CORP. USA
8989 NORTH LOOP EAST
HOUSTON, TX 77029

SERIES SLPS 6'8" OS
3/4 LITE FIBERGLASS PATIO DOOR
OXX/O ELEVATION AND NOTES

DRAWN: J.L.	DWG NO. 08-02238	REV A
SCALE NTS	DATE 10/16/2013	SHEET 1 OF 10



REVISIONS			
REV	DESCRIPTION	DATE	APPROVED
A	ADDED EDGE DIMENSIONS	11/06/14	R.L.

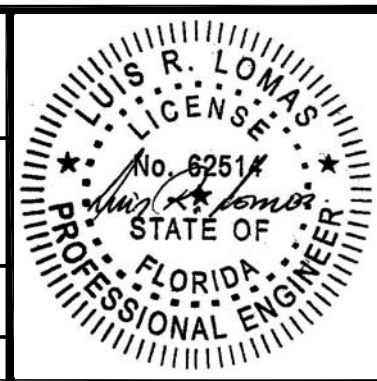


SIGNED: 11/06/2014

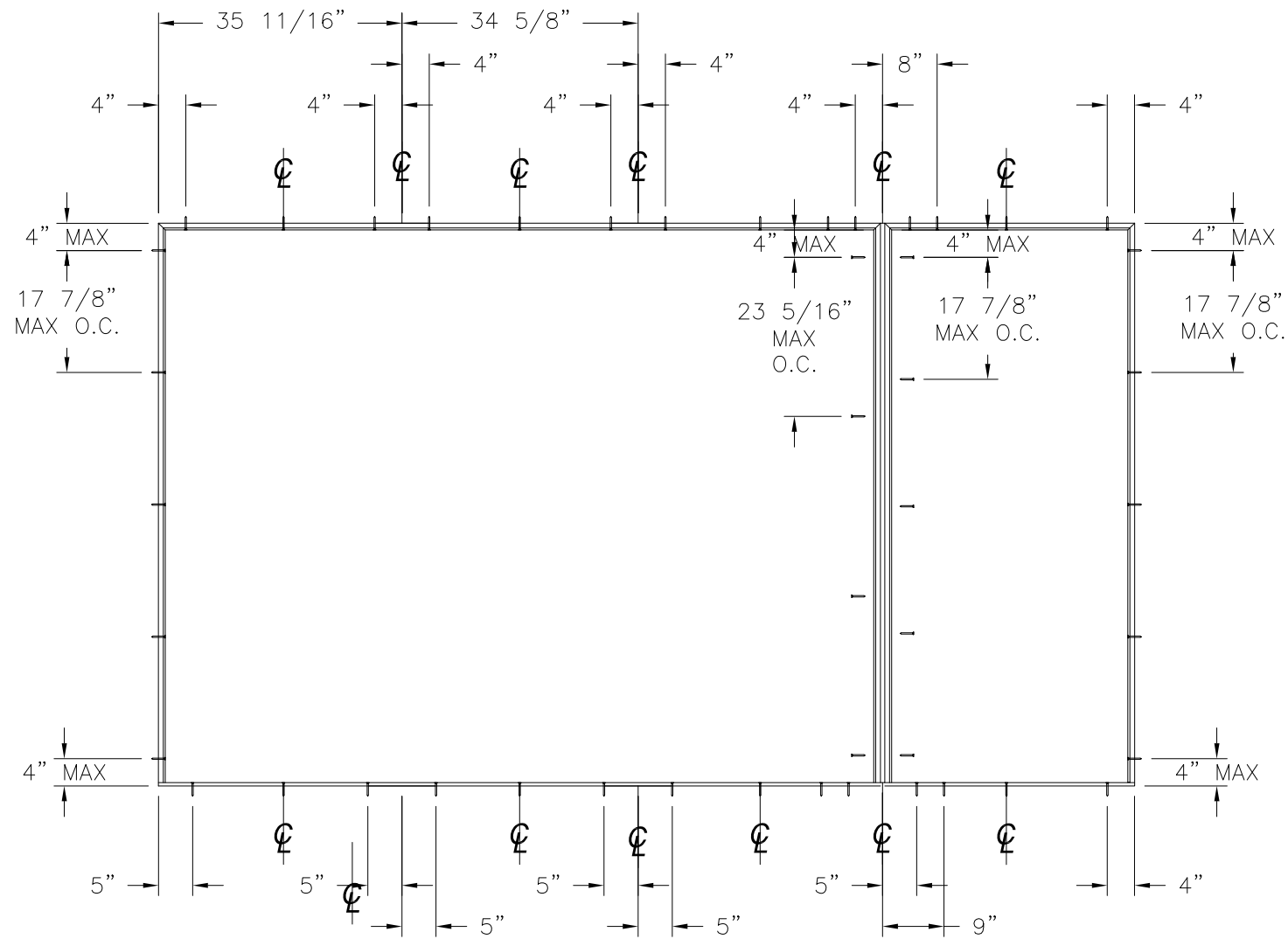
NAN YA PLASTICS CORP. USA
 8989 NORTH LOOP EAST
 HOUSTON, TX 77029

SERIES SLPS 6'8" OS
 3/4 LITE FIBERGLASS PATIO DOOR
 ADDITIONAL APPROVED CONFIGURATIONS

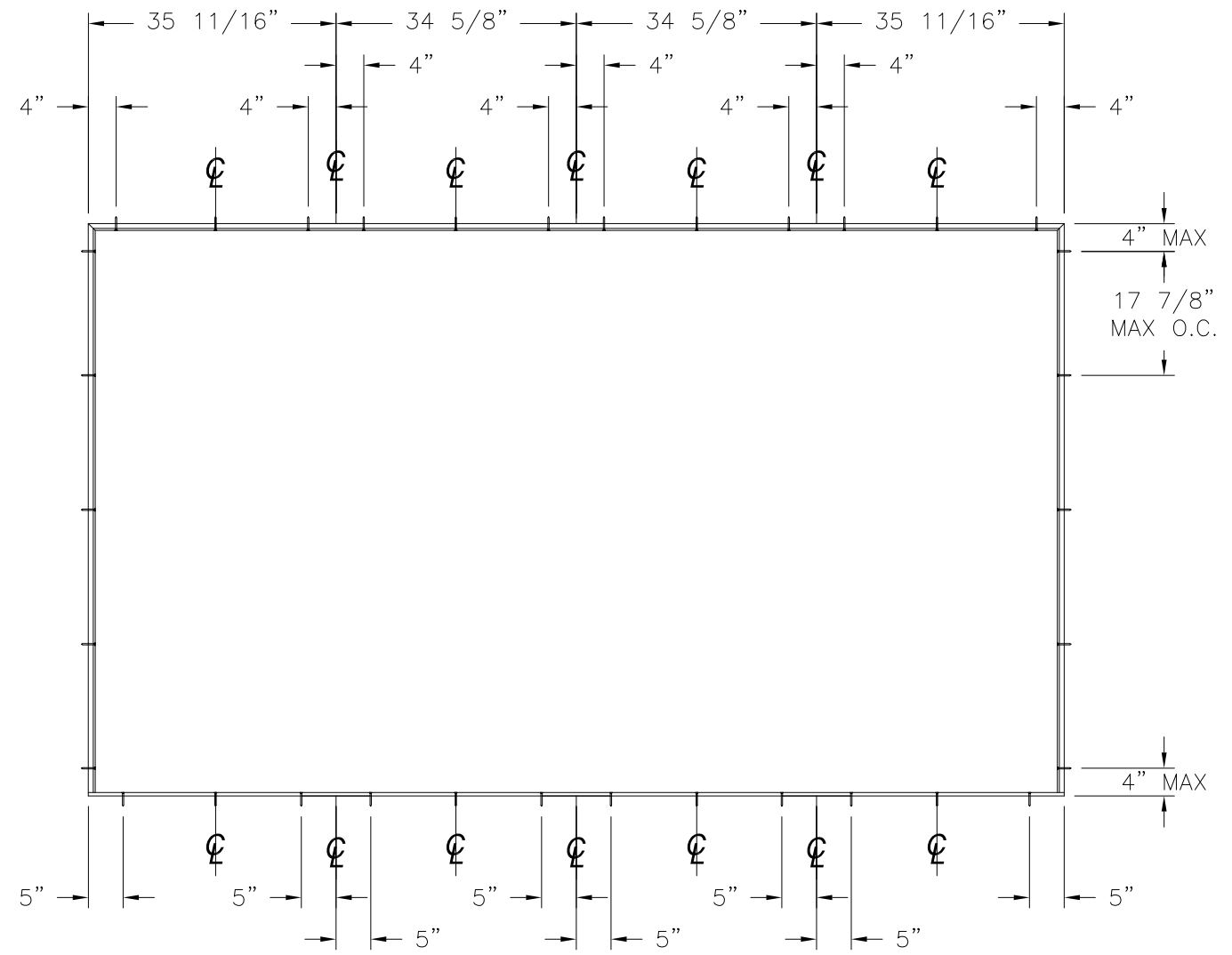
DRAWN: J.L.	DWG NO. 08-02238	REV A
SCALE NTS	DATE 10/16/2013	SHEET 2 OF 10



REVISIONS			
REV	DESCRIPTION	DATE	APPROVED
A	ADDED EDGE DIMENSIONS	11/06/14	R.L.



ANCHORING LAYOUT FOR O/XXO, OXX/O



ANCHORING LAYOUT FOR OXXO

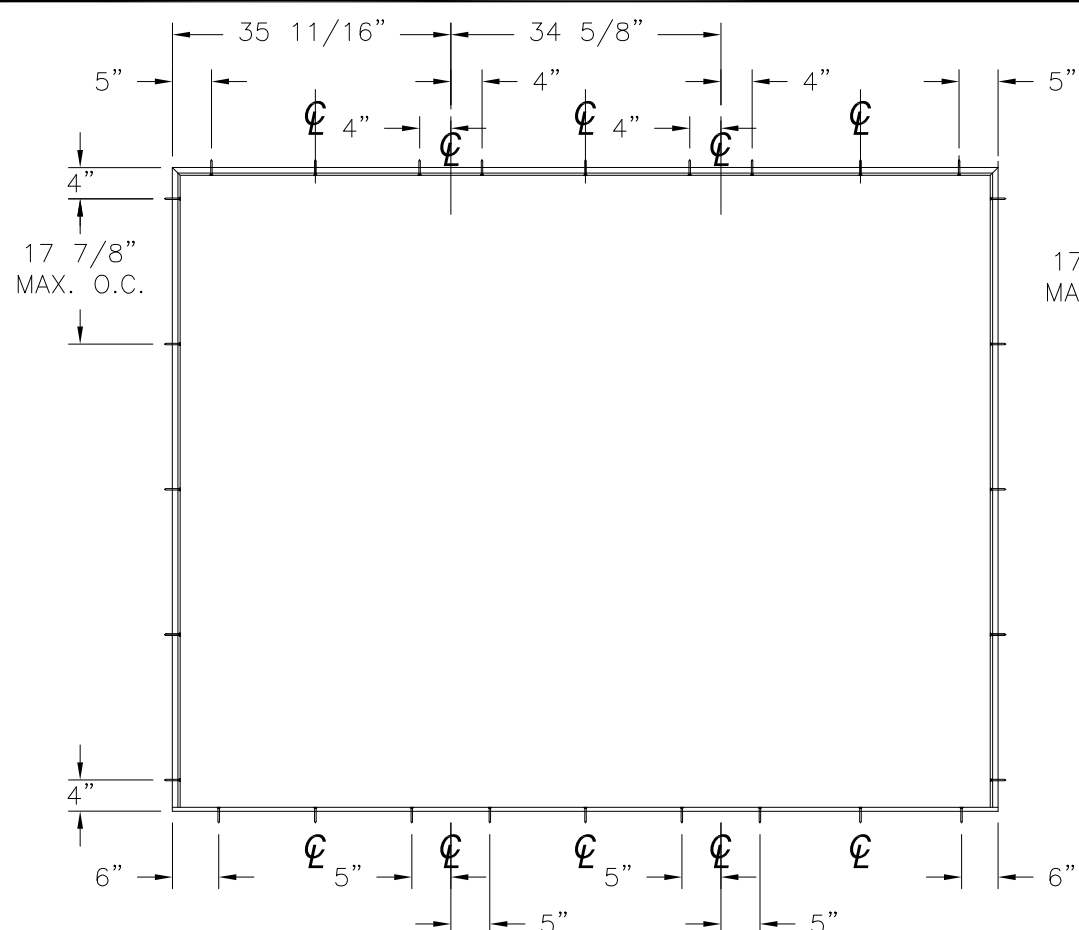
SIGNED: 11/06/2014

NAN YA PLASTICS CORP. USA
 8989 NORTH LOOP EAST
 HOUSTON, TX 77029

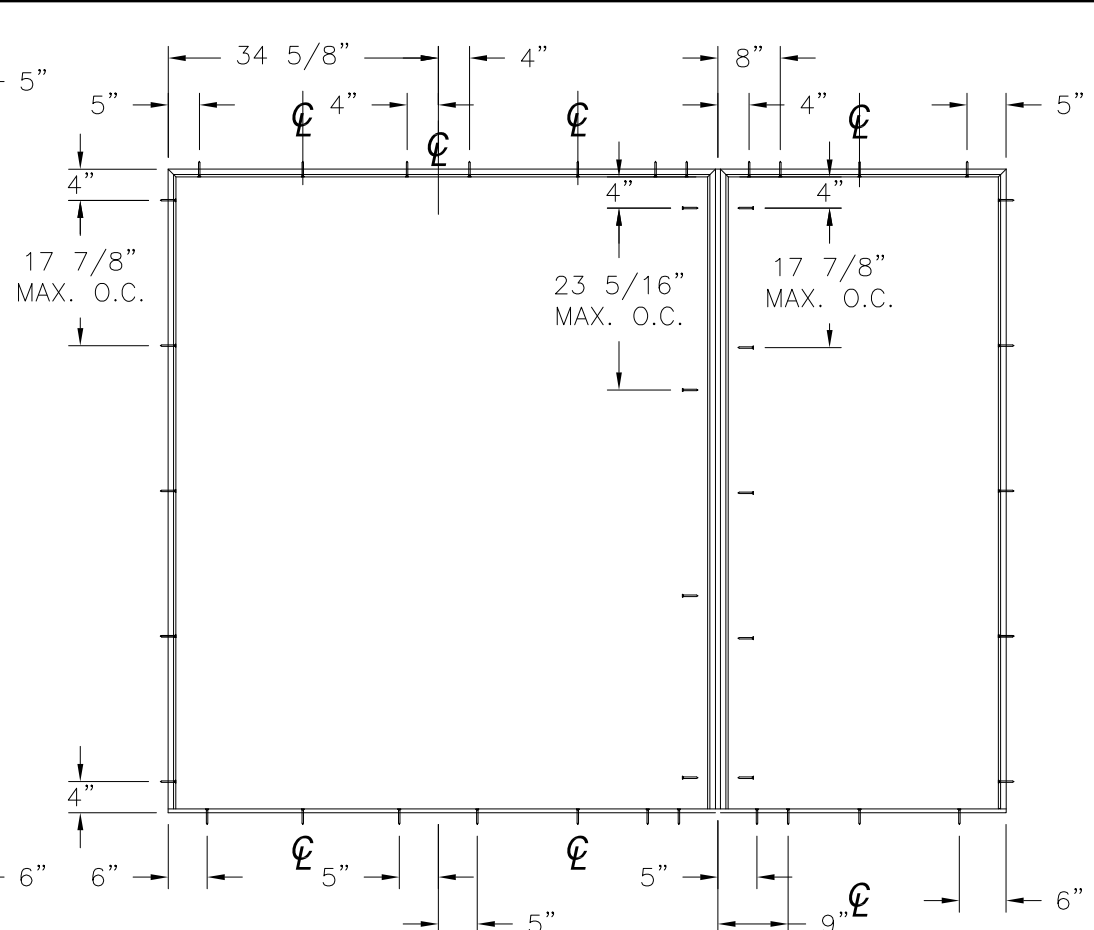
SERIES SLPS 6'8" OS
 3/4 LITE FIBERGLASS PATIO DOOR
 ANCHORING LAYOUT

DRAWN: J.L.	DWG NO. 08-02238	REV A
SCALE NTS	DATE 10/16/2013	SHEET 3 OF 10



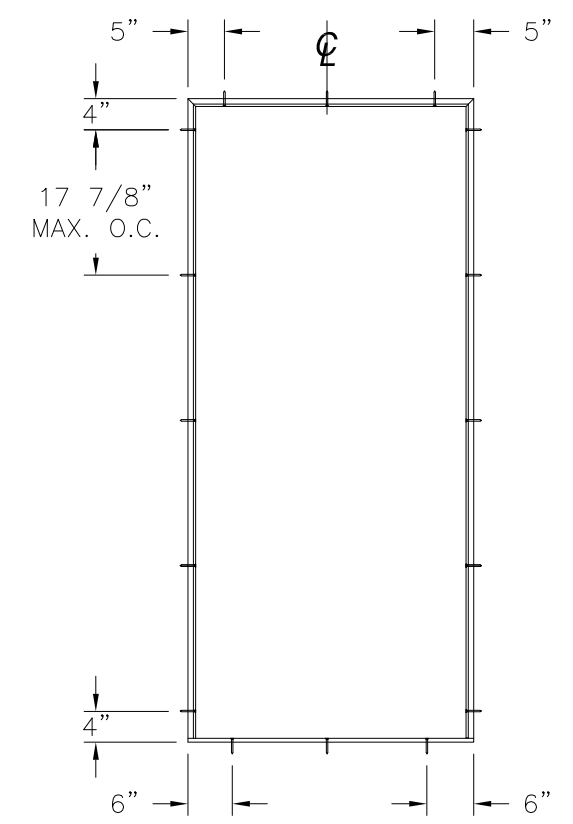


ANCHORING LAYOUT FOR OXO, XXO AND OXX

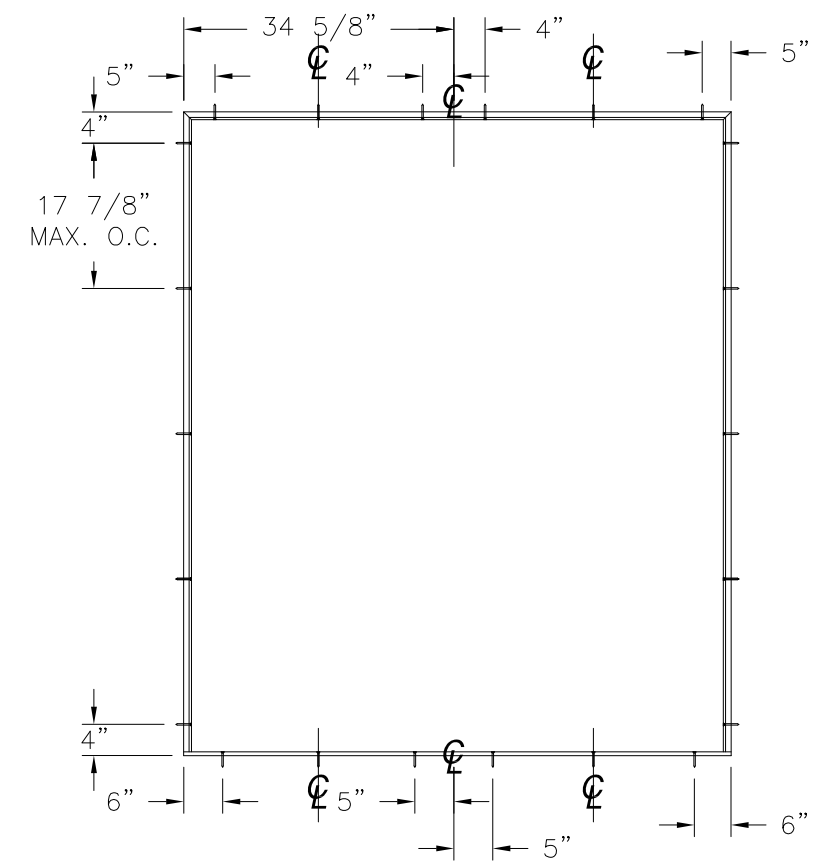


ANCHORING LAYOUT FOR OX/O, O/XO, XX/O AND O/XX

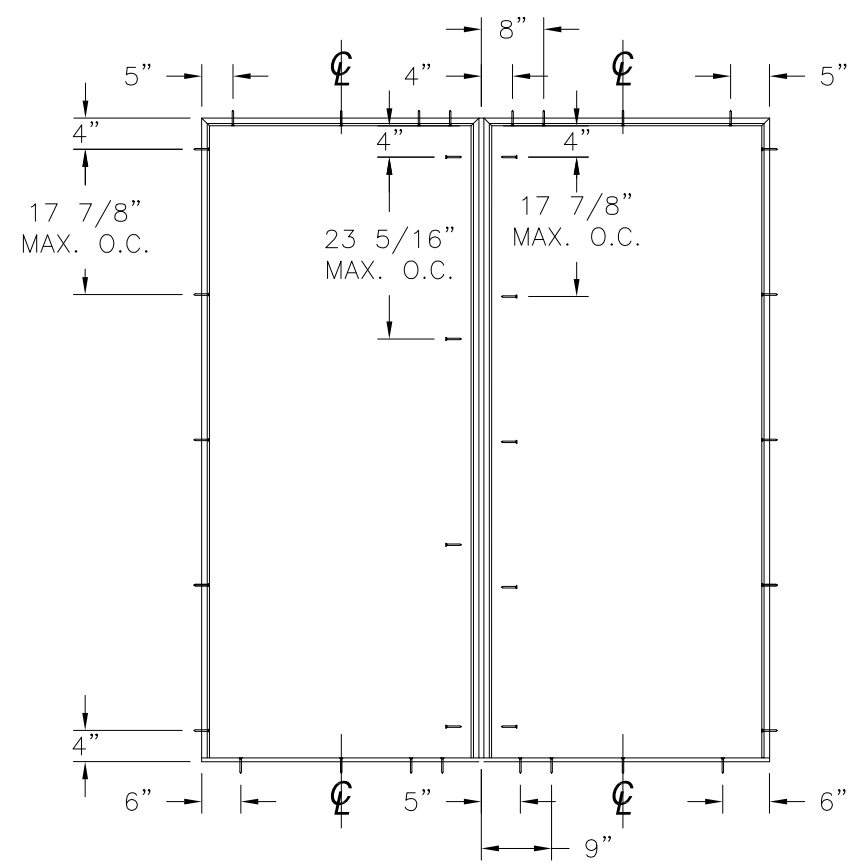
REVISIONS			
REV	DESCRIPTION	DATE	APPROVED
A	ADDED EDGE DIMENSIONS	11/06/14	R.L.



ANCHORING LAYOUT FOR X



ANCHORING LAYOUT FOR XX, OX AND XO



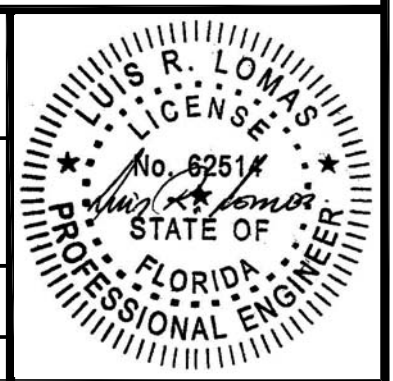
ANCHORING LAYOUT FOR O/X AND X/O

SIGNED: 11/06/2014

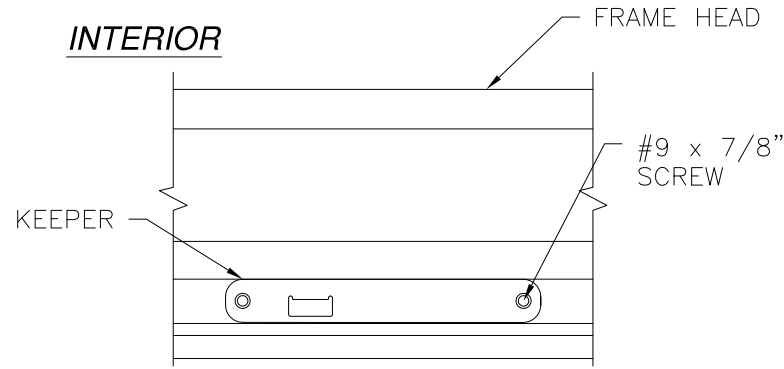
NAN YA PLASTICS CORP. USA
 8989 NORTH LOOP EAST
 HOUSTON, TX 77029

SERIES SLPS 6'8" OS
 3/4 LITE FIBERGLASS PATIO DOOR
 ANCHORING LAYOUTS

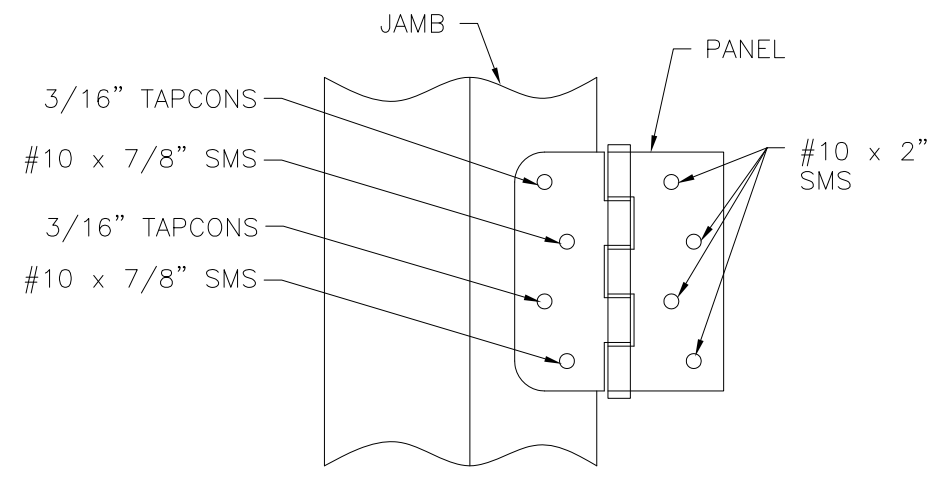
DRAWN: J.L.	DWG NO. 08-02238	REV A
SCALE NTS	DATE 10/16/2013	SHEET 4 OF 10



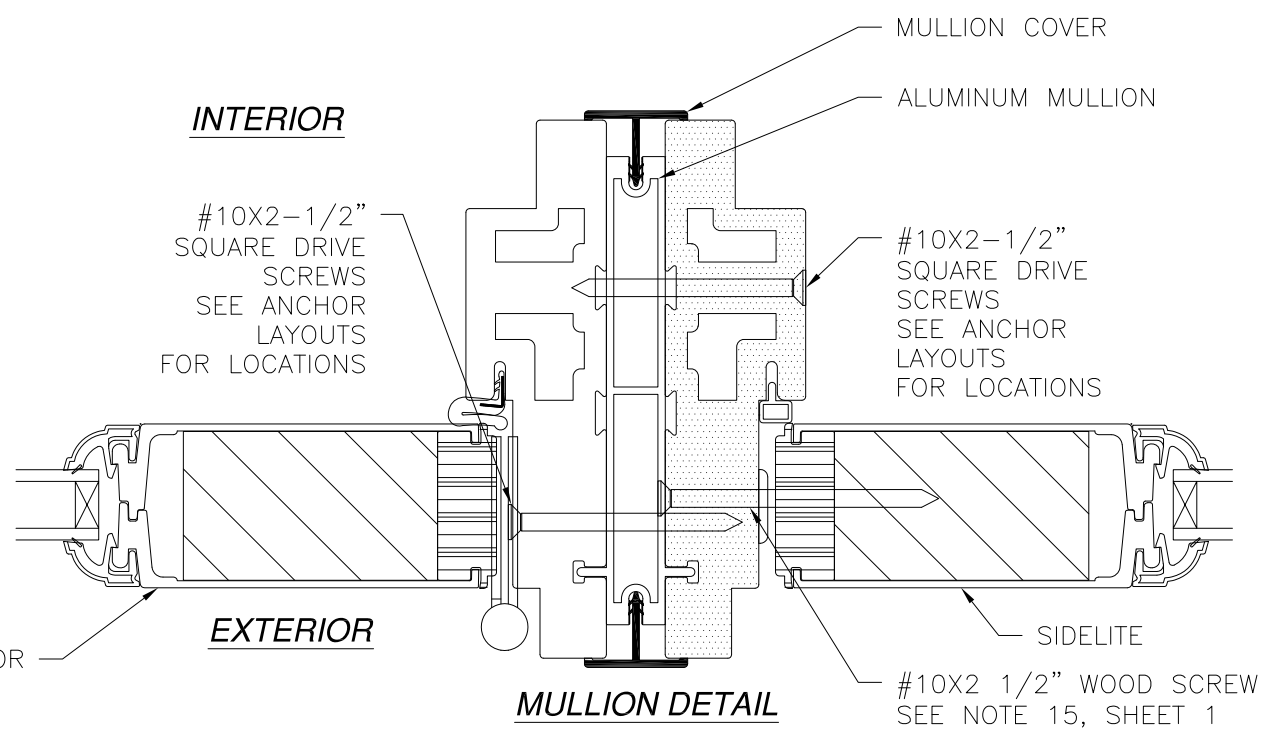
REVISIONS			
REV	DESCRIPTION	DATE	APPROVED
A	ADDED EDGE DIMENSIONS	11/06/14	R.L.



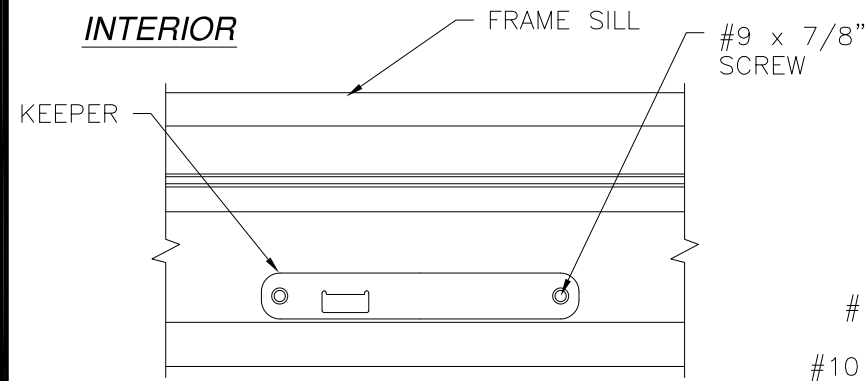
HEAD KEEPER DETAIL



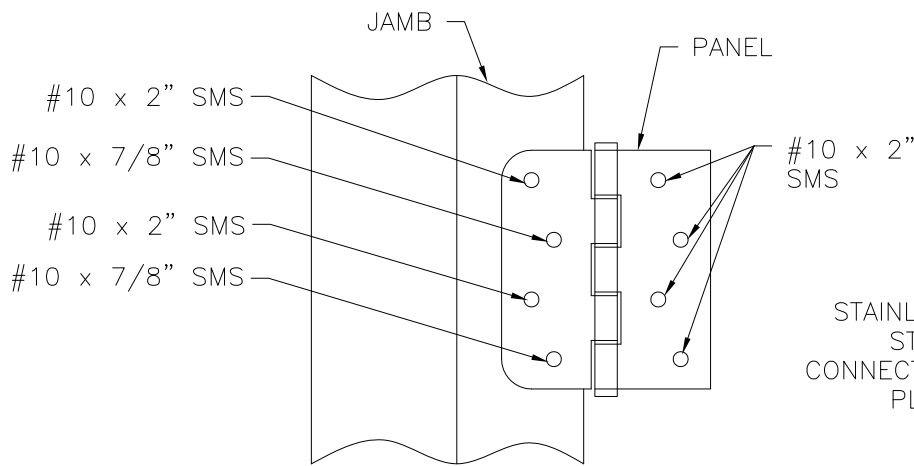
**HINGE INSTALLATION DETAIL
MASONRY/CONCRETE INSTALLATION**



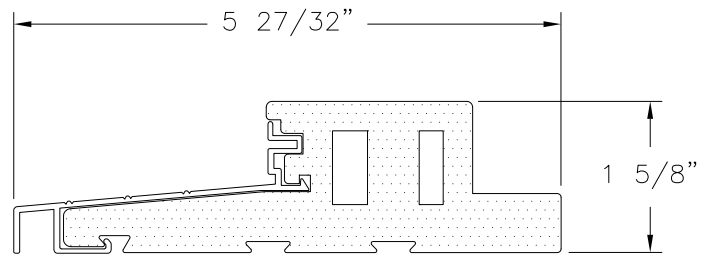
MULLION DETAIL



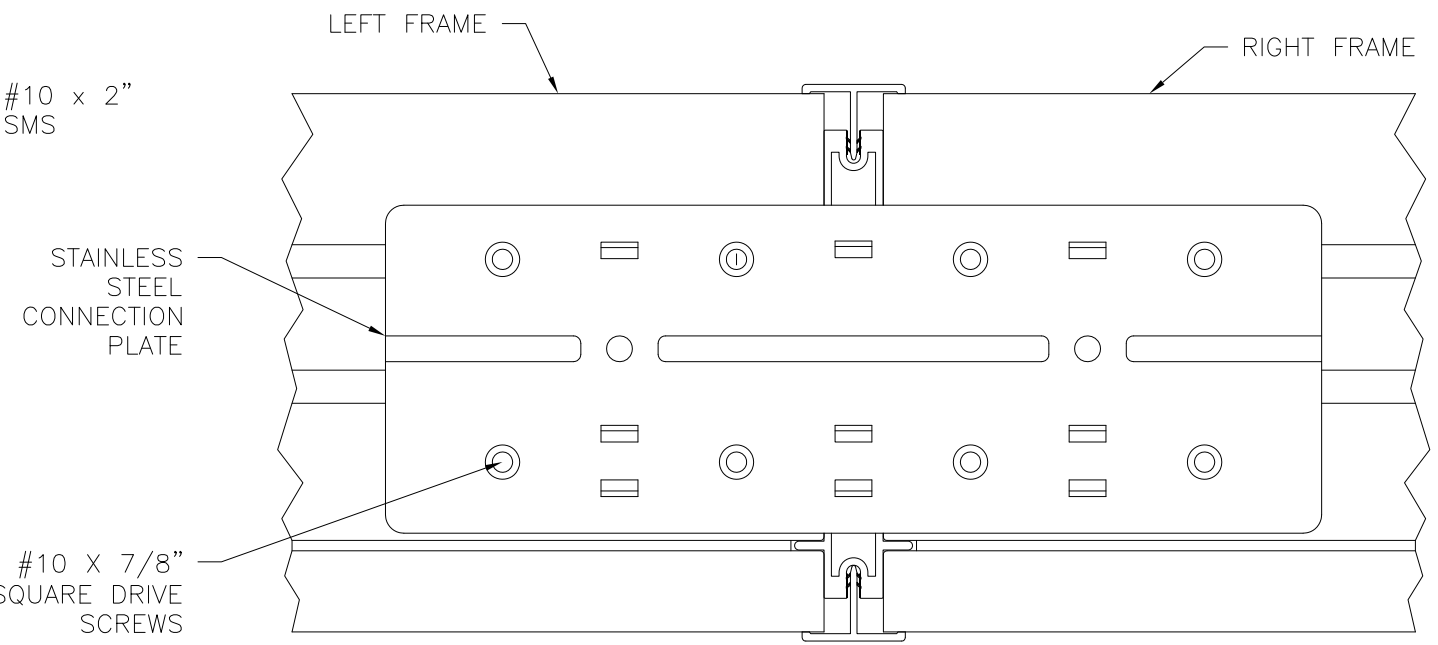
SILL KEEPER DETAIL



**HINGE INSTALLATION DETAIL
WOOD FRAMING INSTALLATION**



OUTSWING DOOR SILL DETAIL



FRAME CONNECTION DETAIL

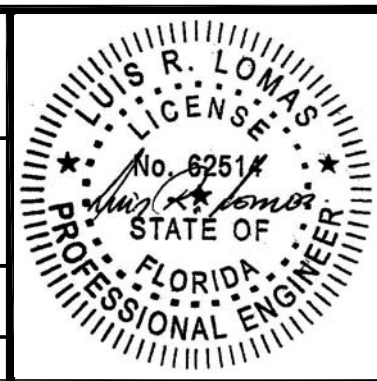
SIGNED: 11/06/2014

HARDWARE SCHEDULE	
A.	STAINLESS STEEL FLUSH BAR AT ASTRAGAL
B.	DIE CAST STEEL FLUSH BOLT AT LOCK STILE
C.	STAINLESS STEEL DEADBOLT
D.	DIE CAST HANDLE SETS
E.	(3) 4"x4" BUTT HINGES BY WENZHOU LONGTAI (PER PANEL)
F.	ALUMINUM & PVC FOAM ASTRAGAL BY NAN YA PLASTICS
G.	ALUMINUM & PVC FOAM MULLION BY NAN YA PLASTICS

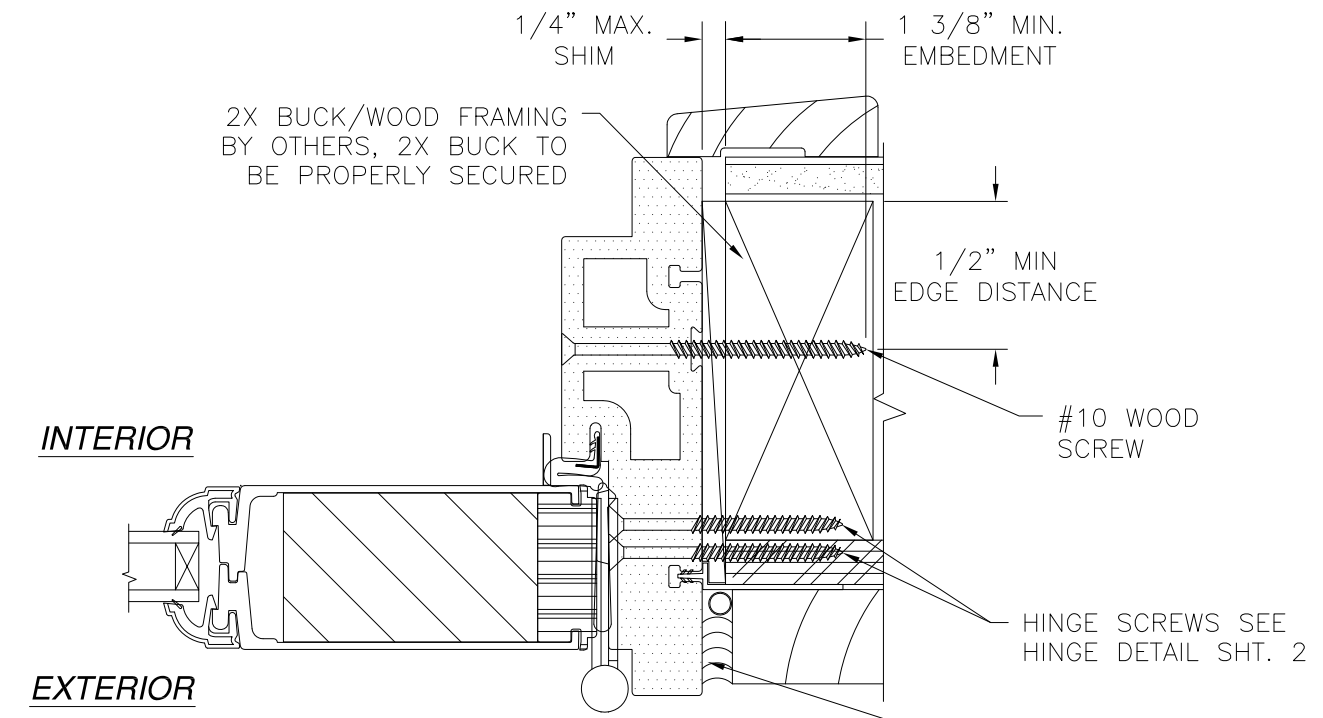
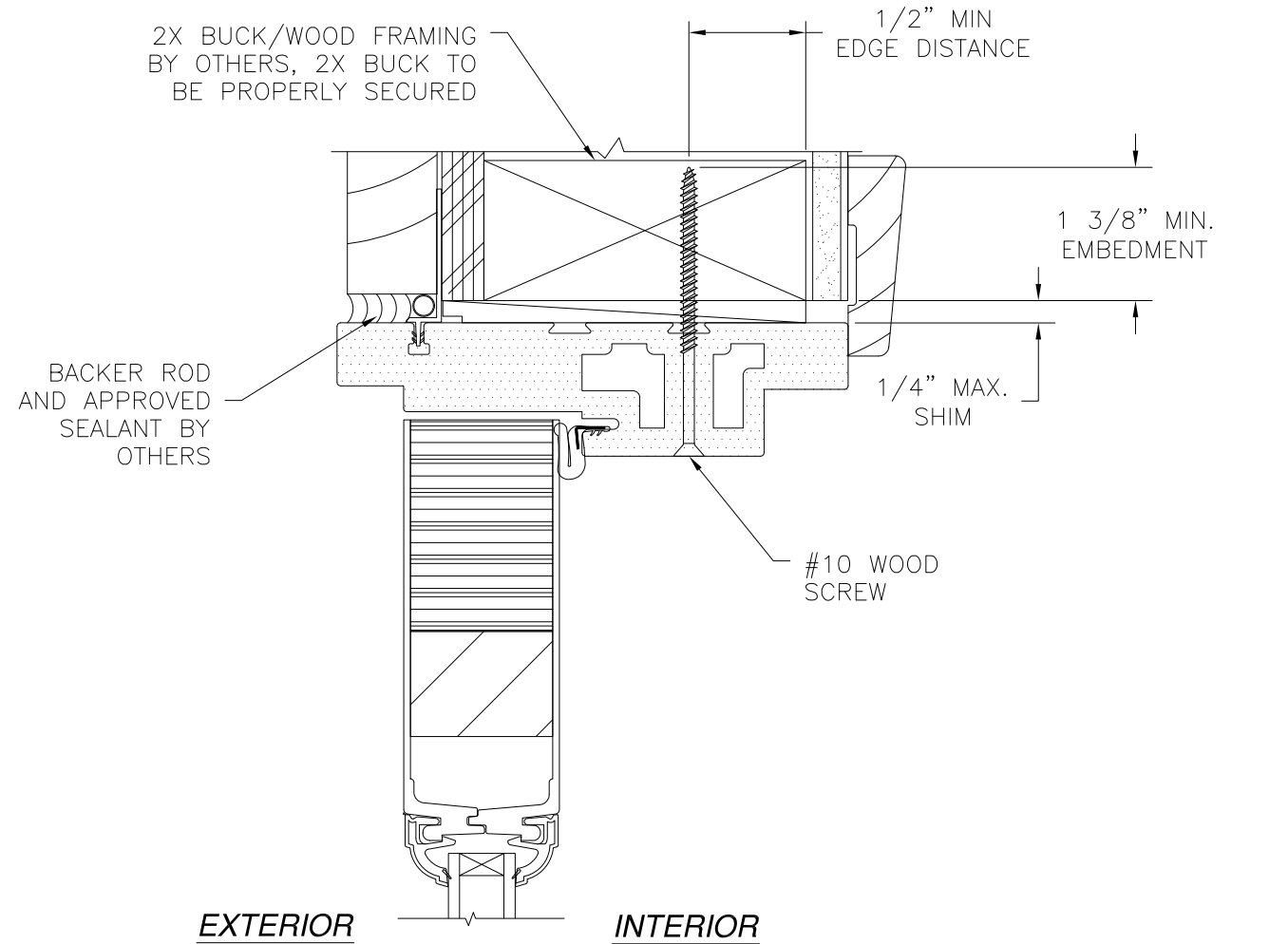
NAN YA PLASTICS CORP. USA
 8989 NORTH LOOP EAST
 HOUSTON, TX 77029

SERIES SLPS 6'8" OS
 3/4 LITE FIBERGLASS PATIO DOOR
 INSTALLATION DETAILS

DRAWN: J.L. DWG NO. 08-02238 REV A
 SCALE NTS DATE 10/16/2013 SHEET 5 OF 10

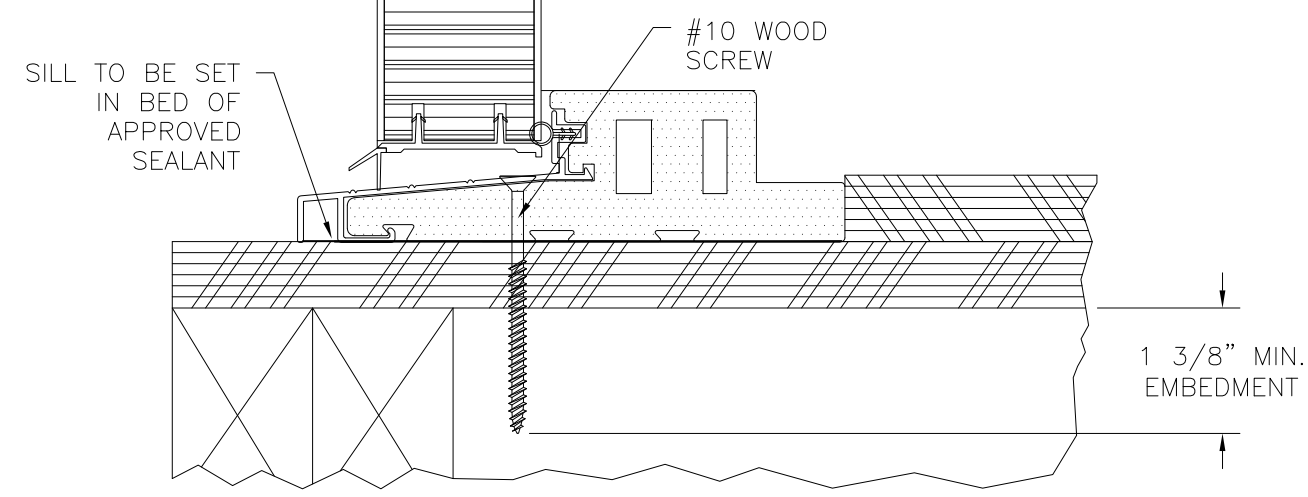


REVISIONS			
REV	DESCRIPTION	DATE	APPROVED
A	ADDED EDGE DIMENSIONS	11/06/14	R.L.



**HORIZONTAL CROSS SECTION
HINGE JAMB DETAIL
2X BUCK/WOOD FRAMING INSTALLATION**

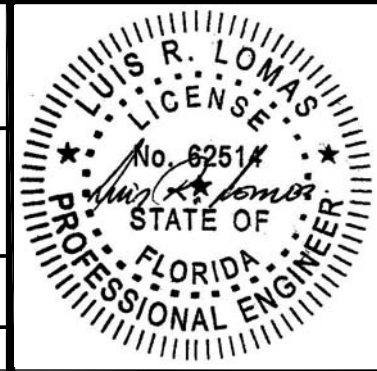
NOTE:
INTERIOR AND EXTERIOR FINISHES, BY OTHERS, NOT SHOWN FOR CLARITY.
ANCHORS MAY BE INSTALLED INSIDE OR OUTSIDE FRAME.



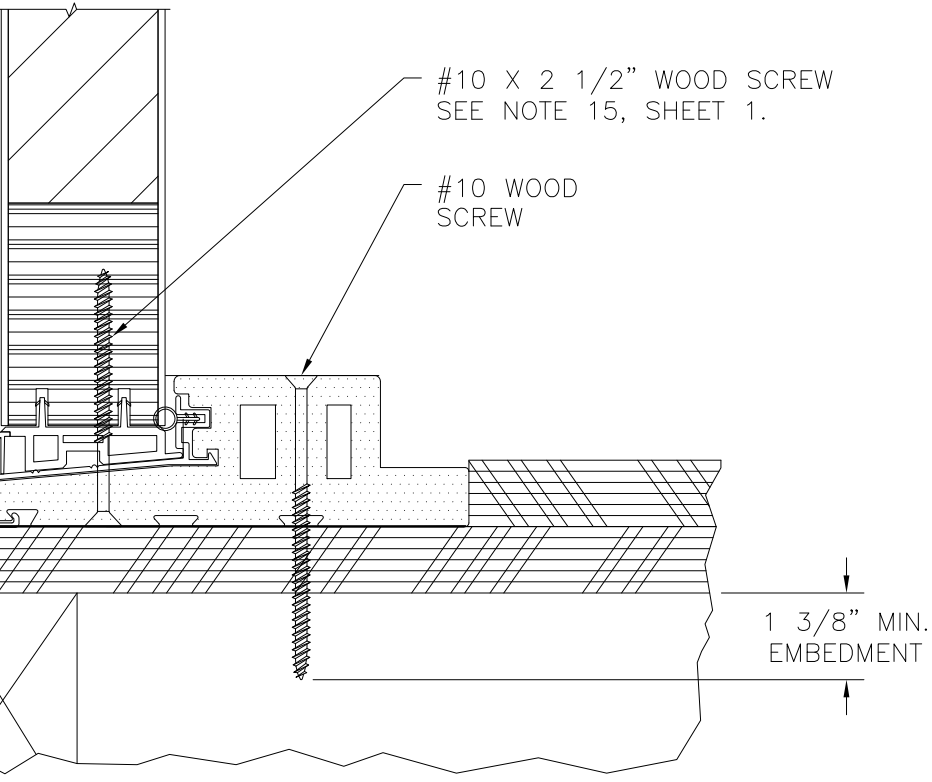
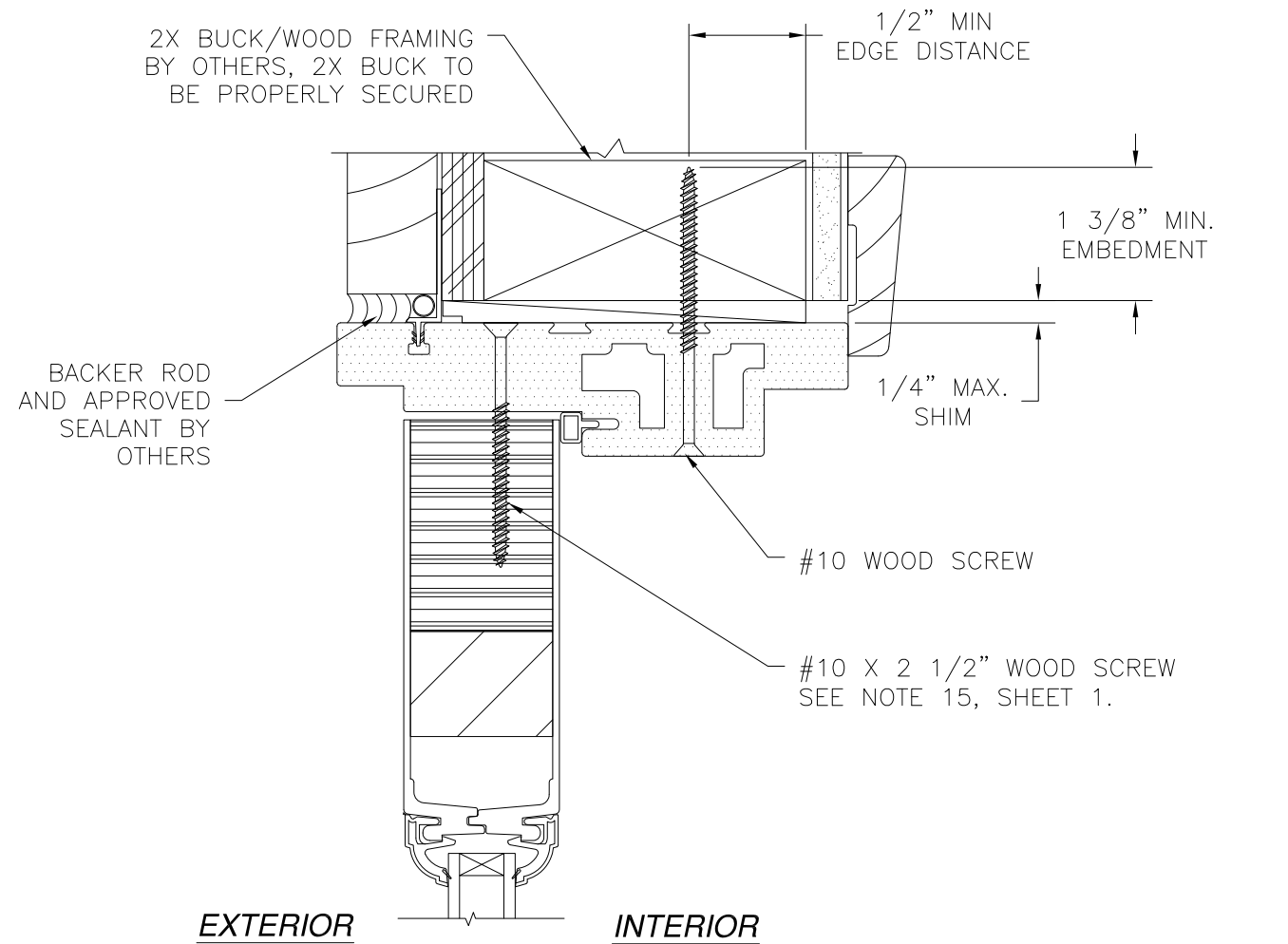
**VERTICAL CROSS SECTION
DOOR
2X BUCK/WOOD FRAMING INSTALLATION**

SIGNED: 11/06/2014

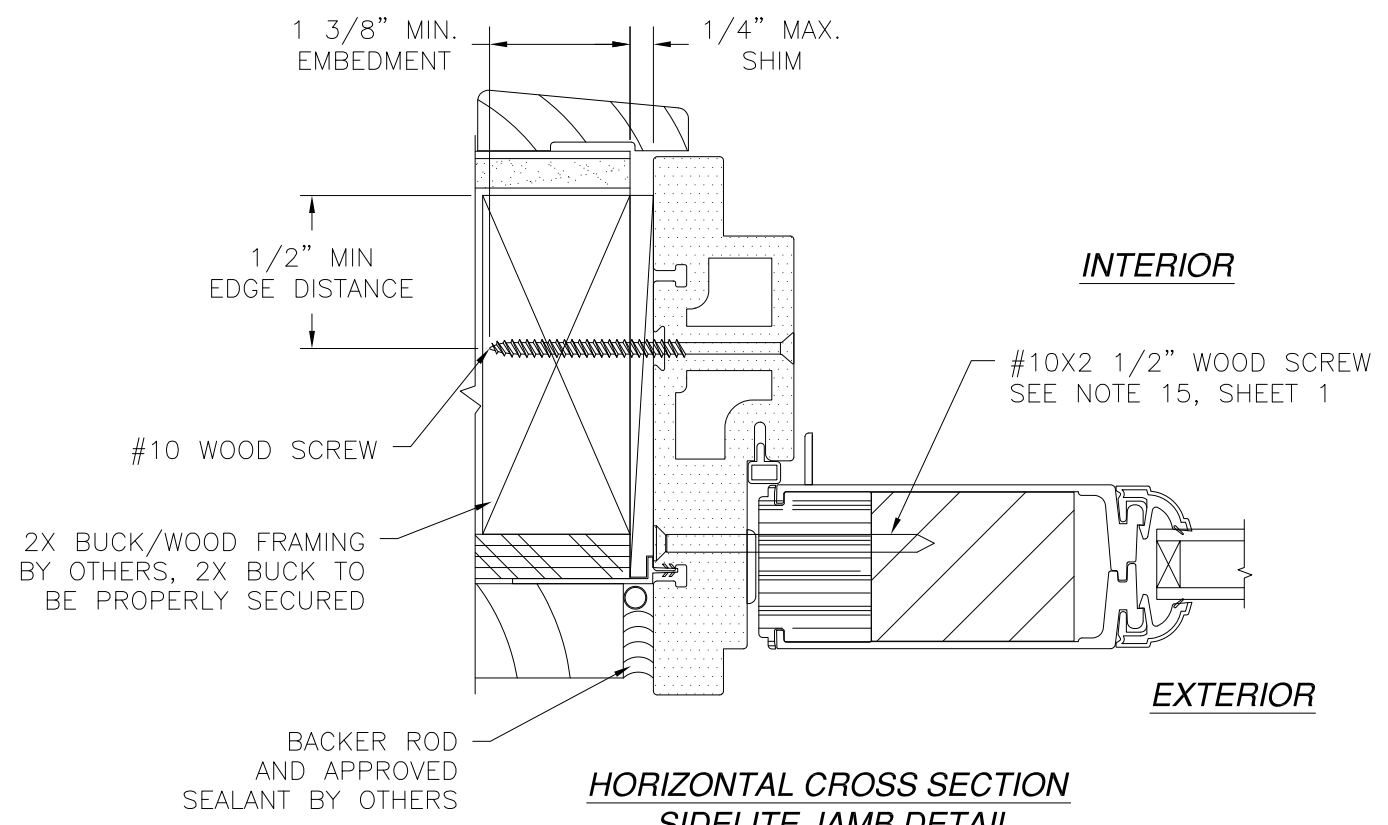
<p>NAN YA PLASTICS CORP. USA 8989 NORTH LOOP EAST HOUSTON, TX 77029</p>		
<p>SERIES SLPS 6'8" OS 3/4 LITE FIBERGLASS PATIO DOOR INSTALLATION DETAILS</p>		
<p>DRAWN: J.L.</p>	<p>DWG NO. 08-02238</p>	<p>REV A</p>
<p>SCALE NTS</p>	<p>DATE 10/16/2013</p>	<p>SHEET 6 OF 10</p>



REVISIONS			
REV	DESCRIPTION	DATE	APPROVED
A	ADDED EDGE DIMENSIONS	11/06/14	R.L.



**VERTICAL CROSS SECTION
SIDELITE
2X BUCK/WOOD FRAMING INSTALLATION**

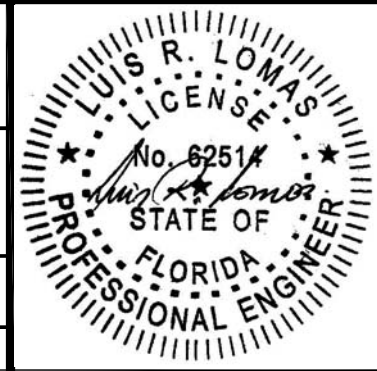


**HORIZONTAL CROSS SECTION
SIDELITE JAMB DETAIL
2X BUCK/WOOD FRAMING INSTALLATION**

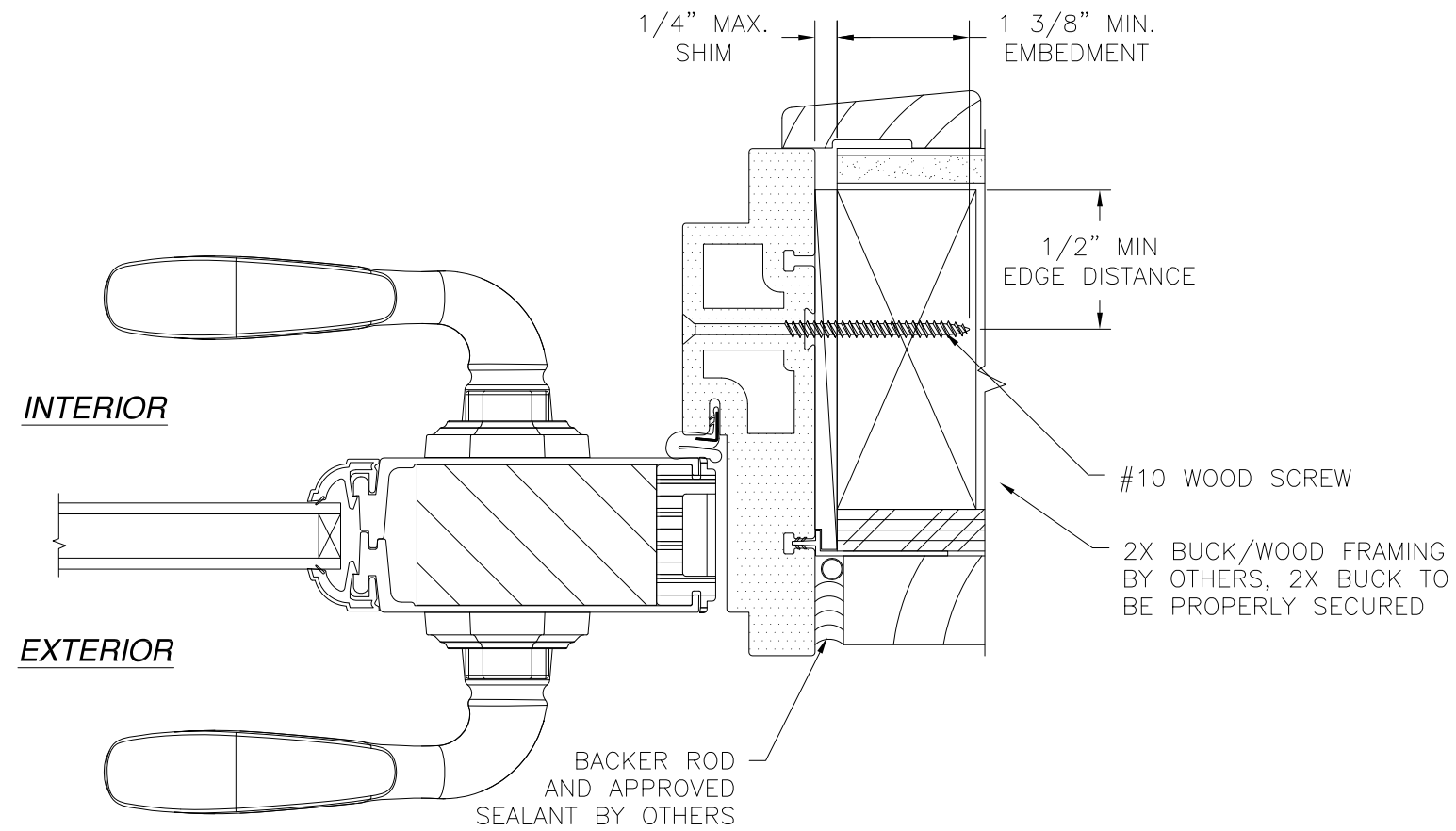
NOTE:
 INTERIOR AND EXTERIOR FINISHES, BY OTHERS, NOT SHOWN FOR CLARITY.
 ANCHORS MAY BE INSTALLED INSIDE OR OUTSIDE FRAME.

SIGNED: 11/06/2014

NAN YA PLASTICS CORP. USA 8989 NORTH LOOP EAST HOUSTON, TX 77029		
SERIES SLPS 6'8" OS 3/4 LITE FIBERGLASS PATIO DOOR INSTALLATION DETAILS		
DRAWN: J.L.	DWG. NO. 08-02238	REV A
SCALE NTS	DATE 10/16/2013	SHEET 7 OF 10



REVISIONS			
REV	DESCRIPTION	DATE	APPROVED
A	ADDED EDGE DIMENSIONS	11/06/14	R.L.



**HORIZONTAL CROSS SECTION
STRIKE JAMB DETAIL**
2X BUCK/WOOD FRAMING INSTALLATION

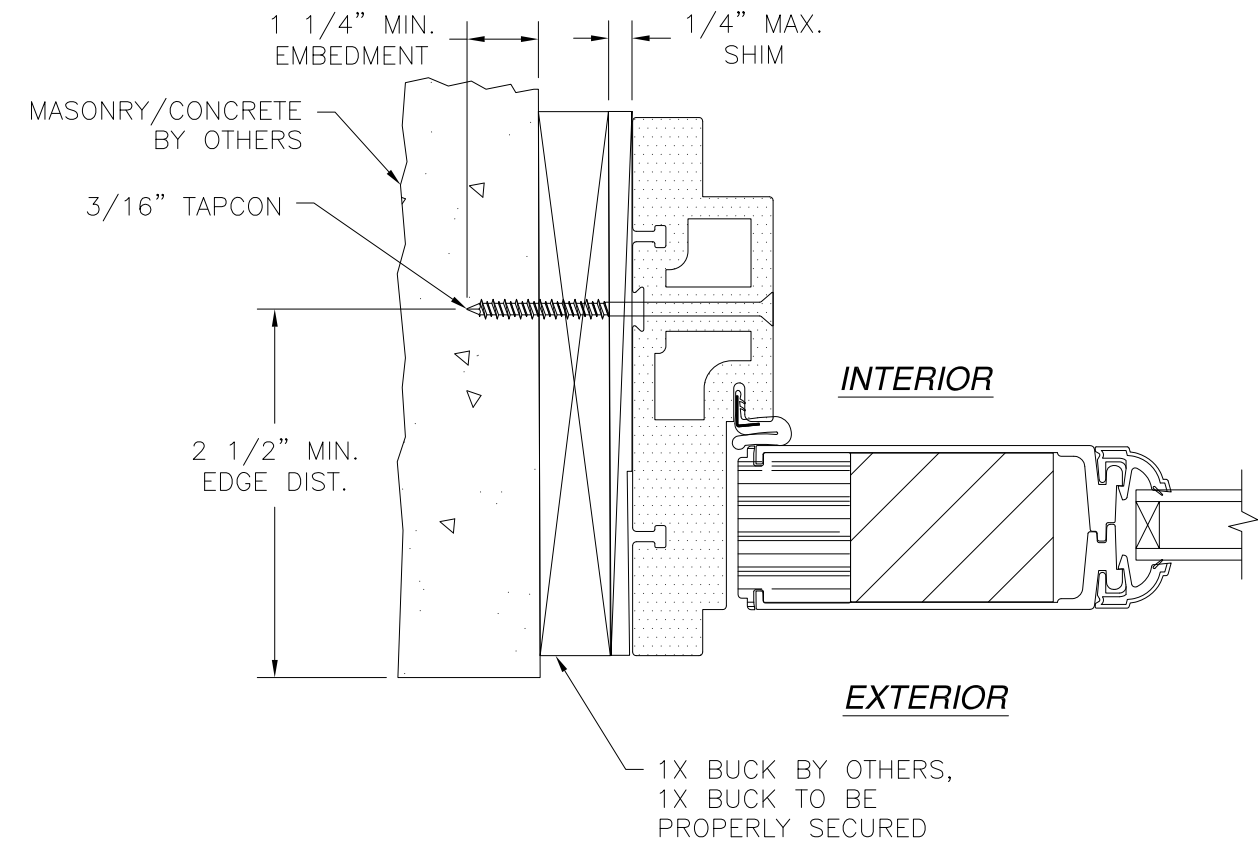
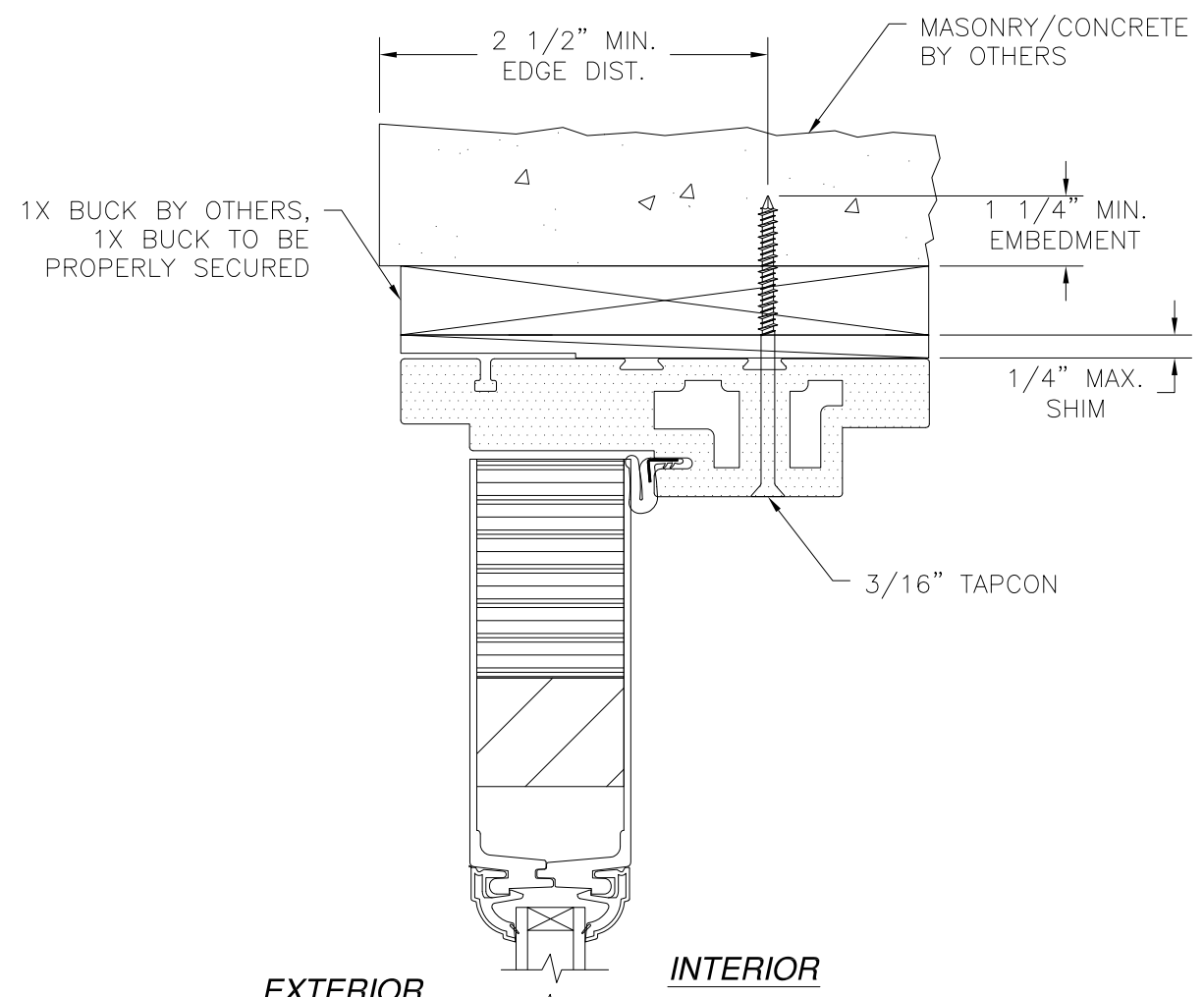
NOTE:
INTERIOR AND EXTERIOR FINISHES, BY OTHERS, NOT SHOWN FOR CLARITY.
ANCHORS MAY BE INSTALLED INSIDE OR OUTSIDE FRAME.

SIGNED: 11/06/2014

<p>NAN YA PLASTICS CORP. USA 8989 NORTH LOOP EAST HOUSTON, TX 77029</p>		
<p>SERIES SLPS 6'8" OS 3/4 LITE FIBERGLASS PATIO DOOR INSTALLATION DETAILS</p>		
<p>DRAWN: J.L.</p>	<p>DWG. NO. 08-02238</p>	<p>REV A</p>
<p>SCALE NTS</p>	<p>DATE 10/16/2013</p>	<p>SHEET 8 OF 10</p>

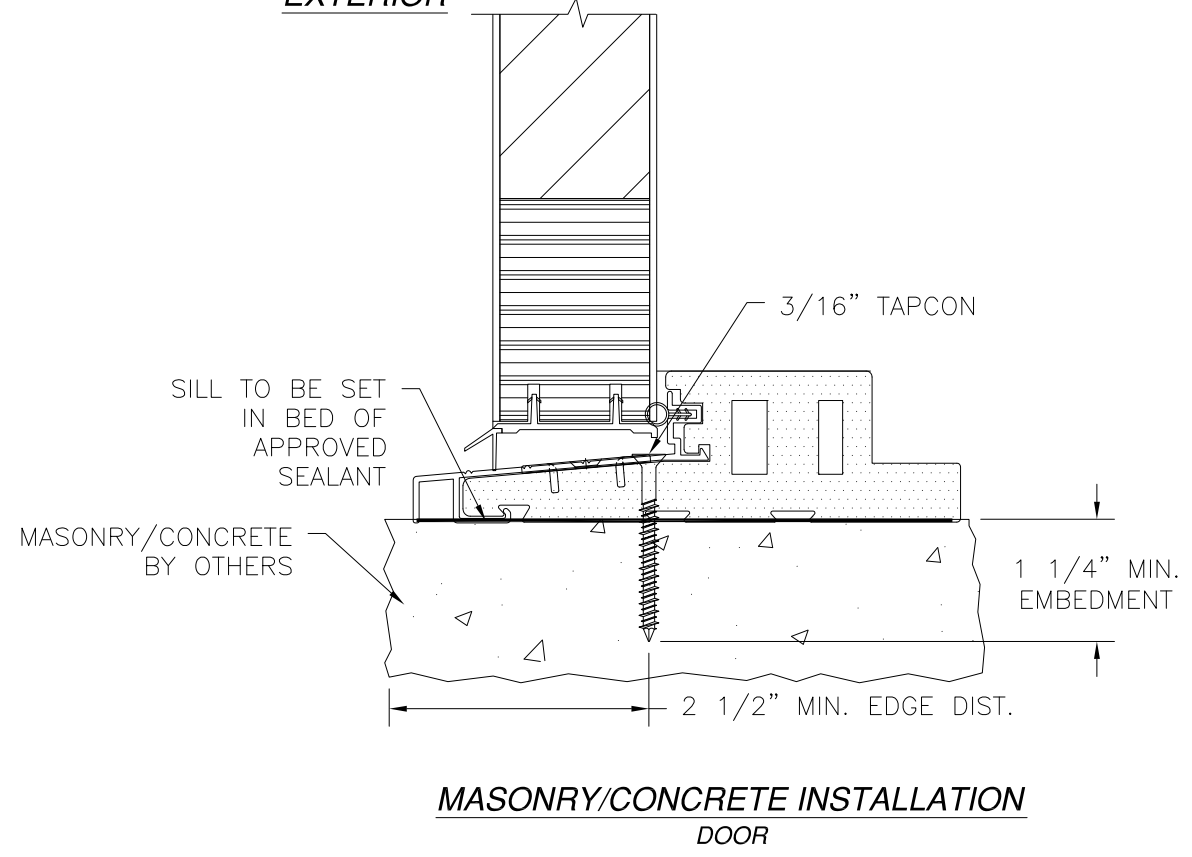


REVISIONS			
REV	DESCRIPTION	DATE	APPROVED
A	ADDED EDGE DIMENSIONS	11/06/14	R.L.



MASONRY/CONCRETE INSTALLATION
DOOR JAMB

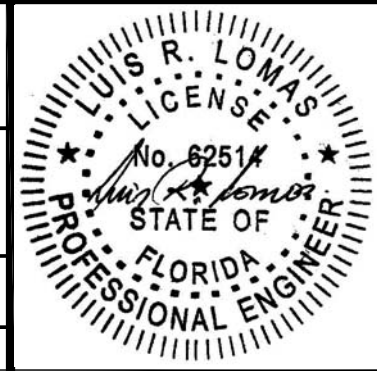
NOTE:
INTERIOR AND EXTERIOR FINISHES, BY OTHERS, NOT SHOWN FOR CLARITY.
ANCHORS MAY BE INSTALLED INSIDE OR OUTSIDE FRAME.



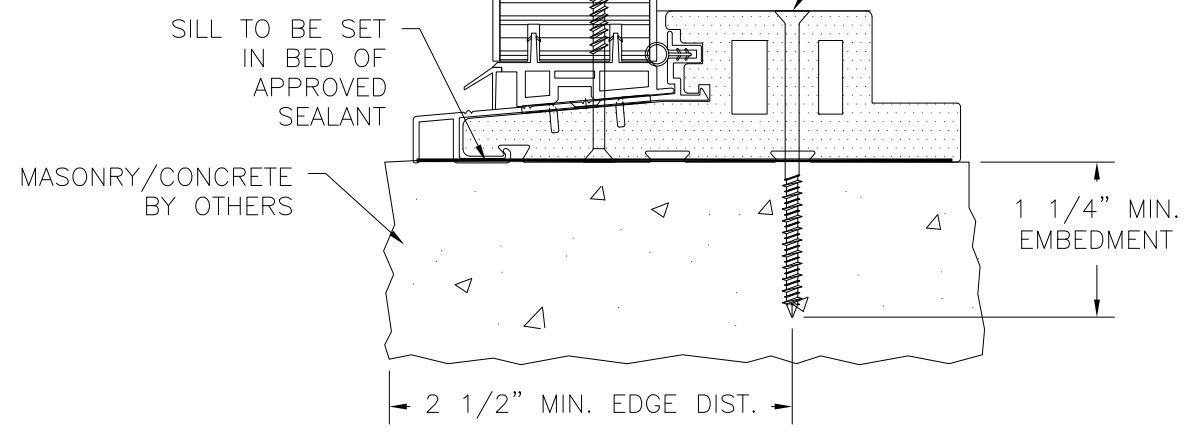
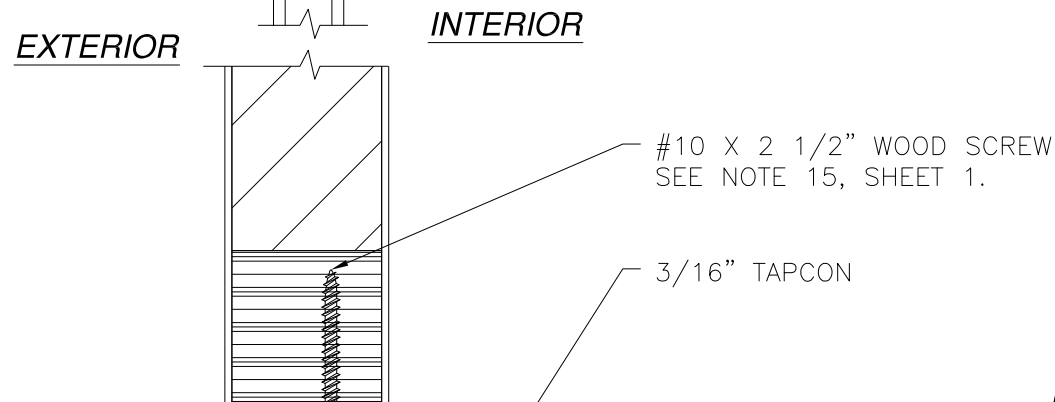
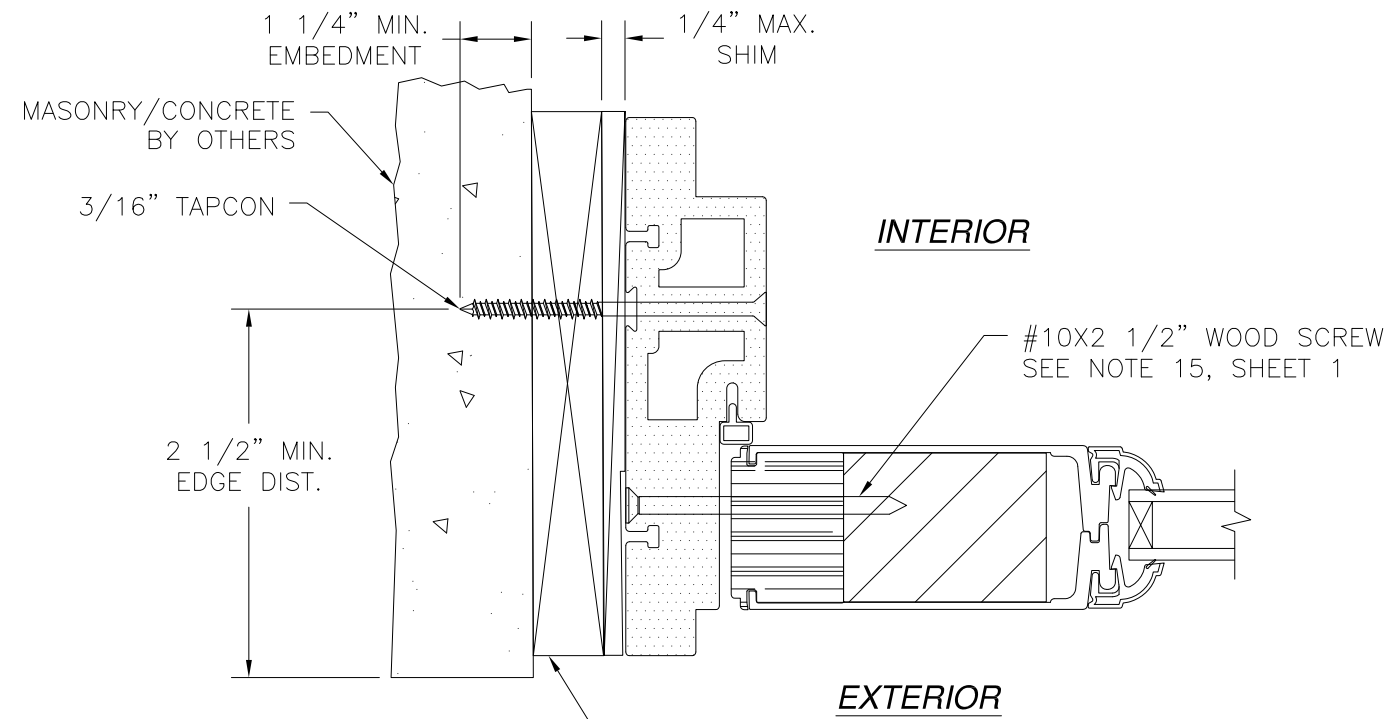
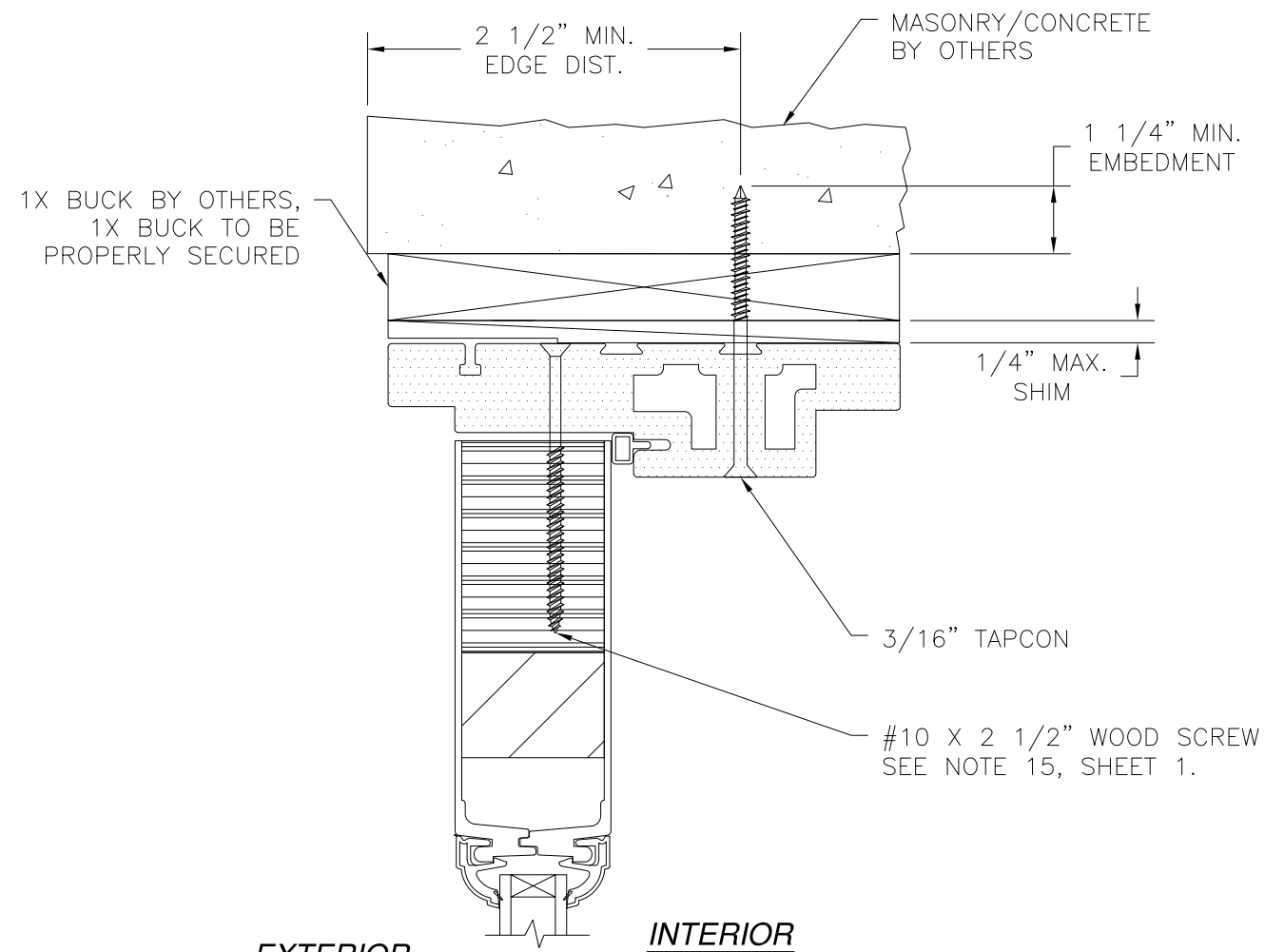
MASONRY/CONCRETE INSTALLATION
DOOR

SIGNED: 11/06/2014

<p>NAN YA PLASTICS CORP. USA 8989 NORTH LOOP EAST HOUSTON, TX 77029</p>		
<p>SERIES SLPS 6'8" OS 3/4 LITE FIBERGLASS PATIO DOOR INSTALLATION DETAILS</p>		
<p>DRAWN: J.L.</p>	<p>DWG NO. 08-02238</p>	<p>REV A</p>
<p>SCALE NTS</p>	<p>DATE 10/16/2013</p>	<p>SHEET 9 OF 10</p>



REVISIONS			
REV	DESCRIPTION	DATE	APPROVED
A	ADDED EDGE DIMENSIONS	11/06/14	R.L.



MASONRY/CONCRETE INSTALLATION
SIDELITE JAMB

MASONRY/CONCRETE INSTALLATION
SIDELITE

NOTE:
INTERIOR AND EXTERIOR FINISHES, BY OTHERS, NOT SHOWN FOR CLARITY.
ANCHORS MAY BE INSTALLED INSIDE OR OUTSIDE FRAME.

SIGNED: 11/06/2014

NAN YA PLASTICS CORP. USA 8989 NORTH LOOP EAST HOUSTON, TX 77029		
SERIES SLPS 6'8" OS 3/4 LITE FIBERGLASS PATIO DOOR INSTALLATION DETAILS		
DRAWN: J.L.	DWG NO. 08-02238	REV A
SCALE NTS	DATE 10/16/2013	SHEET 10 OF 10

