

Florida Building Code Product Approval
FL14752.16-R3 Non-Impact 12'0" x 8'0 Inswing, Full Lite DP30

FL #	FL14752-R3						
Application Type	Revision						
Code Version	2010						
Application Status	Approved						
	*Approved by DBPR. Approvals by DBPR shall be reviewed and ratified by the POC and/or the Commission if necessary.						
Comments							
Archived	<input type="checkbox"/>						
Product Manufacturer	Nan Ya Plastics Corporation USA						
Address/Phone/Email	8989 North Loop East Houston, TX 77029 (713) 674-7822 Ext 105 ajen96@yahoo.com.tw						
Authorized Signature	RUSKIN WU ajen96@yahoo.com.tw						
Technical Representative	Ruskin Wu						
Address/Phone/Email	8989 North Loop East Houston, TX 77029-1217 (713) 674-7822 Ext 105 ajen96@yahoo.com.tw						
Quality Assurance Representative							
Address/Phone/Email							
Category	Exterior Doors						
Subcategory	Swinging Exterior Door Assemblies						
Compliance Method	Certification Mark or Listing						
Certification Agency	National Accreditation & Management Institute						
Validated By	National Accreditation & Management Institute,						
Referenced Standard and Year (of Standard)	<table border="0"> <thead> <tr> <th><u>Standard</u></th> <th><u>Year</u></th> </tr> </thead> <tbody> <tr> <td>AAMA/NWWDA 101/I.S.2</td> <td>1997</td> </tr> <tr> <td>AAMA/WDMA</td> <td>2002</td> </tr> </tbody> </table>	<u>Standard</u>	<u>Year</u>	AAMA/NWWDA 101/I.S.2	1997	AAMA/WDMA	2002
<u>Standard</u>	<u>Year</u>						
AAMA/NWWDA 101/I.S.2	1997						
AAMA/WDMA	2002						

Florida Building Code Product Approval
FL14752.16-R3 Non-Impact 12'0" x 8'0 Inswing, Full Lite DP30

	101/I.S.2/NAFS AAMA/WDMA/CSA 101/I.S.2/A440 ASTM E1886 ASTM E1886 ASTM E1996 ASTM E1996 ASTM E1996 ASTM E330	2008 2005 2002 2002 2005 2006 2002
Equivalence of Product Standards Certified By		
Product Approval Method	Method 1 Option A	
Date Submitted	10/22/2014	
Date Validated	11/24/2014	
Date Pending FBC Approval		
Date Approved	11/25/2014	

14752.16	Series "Distinction Door" I/S Fiberglass Clad Entry Door	NEUMA NON-IMPACT INSWING - 12'0" X 8'0" , GLAZED, 4 PANEL
Limits of Use Approved for use in HVHZ: No Approved for use outside HVHZ: Yes Impact Resistant: No Design Pressure: +30/-30 Other: UNITS GLAZED WITH SAFETY GLASS PER ASTM E1300-04.		Certification Agency Certificate FL14752_R3_C_CAC_NI006629A-R3.pdf Quality Assurance Contract Expiration Date 06/30/2018 Installation Instructions FL14752_R3_II_08-00768B.pdf Verified By: Luis R. Lomas, P.E. 62514 Created by Independent Third Party: Yes Evaluation Reports FL14752_R3_AE_511303B.pdf Created by Independent Third Party: Yes

NOTICE OF PRODUCT CERTIFICATION



CERTIFICATION NO: NI006629A-R3
DATE: 07/06/2006
CERTIFICATION PROGRAM: Structural
COMPANY: Nan Ya
CODE: 661-1
REVISION DATE: 04/07/2014

To verify that the "Notice of Product Certification" is valid, please visit www.NAMICertification.com to assure that the product is active and currently listed. This certification represents product conformity to the applicable specification and that certification criteria has been satisfied. A NAMI approved certification label must be applied to the product to claim certification status. Please review and advise NAMI if any corrections are required to this document.

COMPANY NAME AND ADDRESS	PRODUCT DESCRIPTION
Nan Ya Plastics Corporation USA 8989 North Loop East, Suite 800 Houston, TX 77029	Series "Distinction Door" In-swing Fiberglass Clad Entry Door Configuration: OXXO Glazing: IG-1/8" Tempered Glass/Laminate-1/8" Annealed Glass/0.090" PVB Interlayer/1/8" Annealed Glass Frame: W-12'1" Panel: W-3'0" Opening: W-1'10" H-8'0" H-7'9" H-6'8"

SPECIFICATION	PRODUCT RATING
AAMA/NWWDA 101/I.S.2-97 AAMA/WDMA 101/L.S.2/NAFS-02	HGD-R30 HGD-R30 3683 x 2438 (145 x 96)

Product Tested By: Construction Consulting Laboratory, International
Report No: CCLI-06-046
Expiration Date: **June 30, 2018**

A handwritten signature in black ink, appearing to be 'Shu' or similar, written over a horizontal line.

Administrator's Signature: _____

**NATIONAL ACCREDITATION AND
MANAGEMENT INSTITUTE, INC.**
4794 George Washington Memorial Highway
Hayes, VA 23072
Tel: (804) 684-5124
Fax: (804) 684-5122

L. Roberto Lomas P.E.

233 W. Main St
Danville, VA 24541
434-688-0609
rlomas@lrlomaspe.com

Engineering Evaluation Report

Report No.: 511303B

Manufacturer: Nan Ya Plastics Corporation
8989 North Loop East
Houston, TX 77029

Product Line: Series Distinction In-Swing Fiberglass Clad Entry Door with and without sidelites

Compliance:

The above mentioned product has been evaluated for compliance with the requirements of the Florida Department of Business and Professional Regulation for Statewide Acceptance per Rule 61G20-3.005 method 1(a). The product listed herein complies with requirements of the Florida Building Code.

Supporting Technical Documentation:

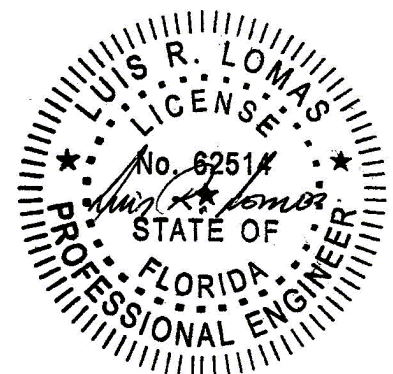
1. Approval document: drawing number 08-00768, Revision B, prepared, signed and sealed by Luis Roberto Lomas P.E.
2. Report No.: CCLI-06-046 signed by Jeffrey Crump
Construction Consulting Laboratory International, Carrollton, TX
AAMA/NWWDA 101/I.S.2-97
AAMA/WDMA 101/I.S.2/NAFS-02
Design pressure: ±30.0psf
Water penetration resistance 4.5psf
3. Anchor calculations, report number 511303-1, prepared, signed and sealed by Luis Roberto Lomas P.E.

Limitations and Conditions of use:

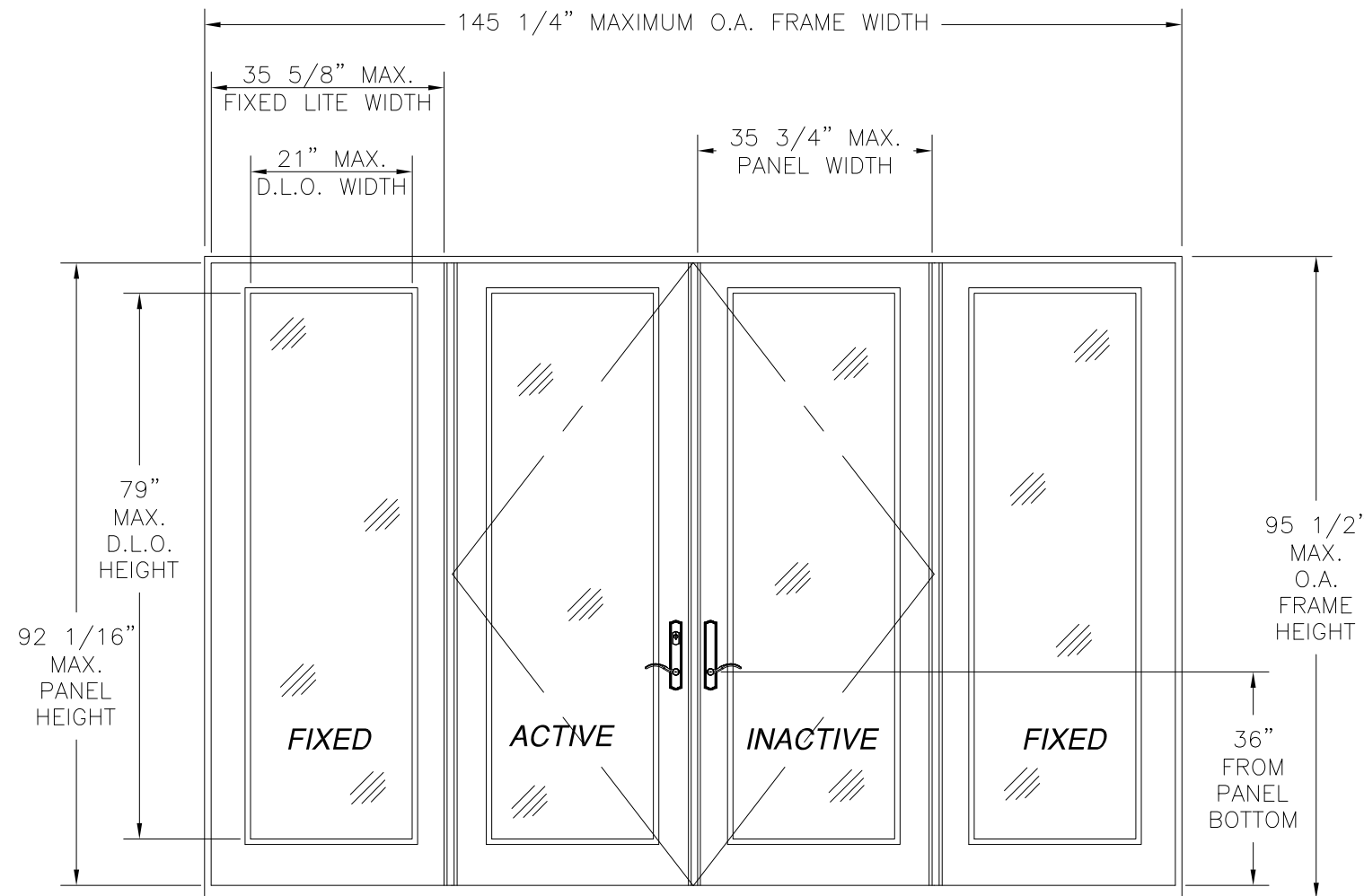
- Maximum design pressure: ±30.0psf
- Maximum unit size: 145" x 96"
- Units must be glazed per ASTM E 1300-04, see installation instructions for glass options.
- This product is not rated to be used in the HVHZ.
- This product is not impact resistant and requires impact protection in wind borne debris regions.

Installation: Units must be installed in accordance with approval document, 08-00768, Revision B.

Certification of Independence: Please note that I don't have nor will acquire a financial interest in any company manufacturing or distributing the product(s) for which this report is being issued. Also, I don't have nor will acquire a financial interest in any other entity involved in the approval process of the listed product(s).



REVISIONS			
REV	DESCRIPTION	DATE	APPROVED
A	REVISED NOTES & GLAZING DETAIL	3/12/12	R.L.
B	ADDED EDGE DISTANCES	11/05/14	R.L.



**SERIES DISTINCTION IN-SWING FIBERGLASS CLAD ENTRY
DOUBLE DOOR W/ SIDELITES
EXTERIOR VIEW**

DESIGN PRESSURE RATING	IMPACT RATING
±30PSF	NONE

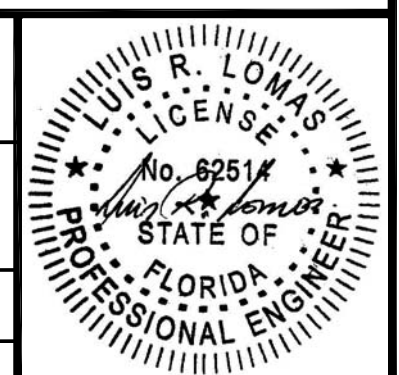
NOTES:

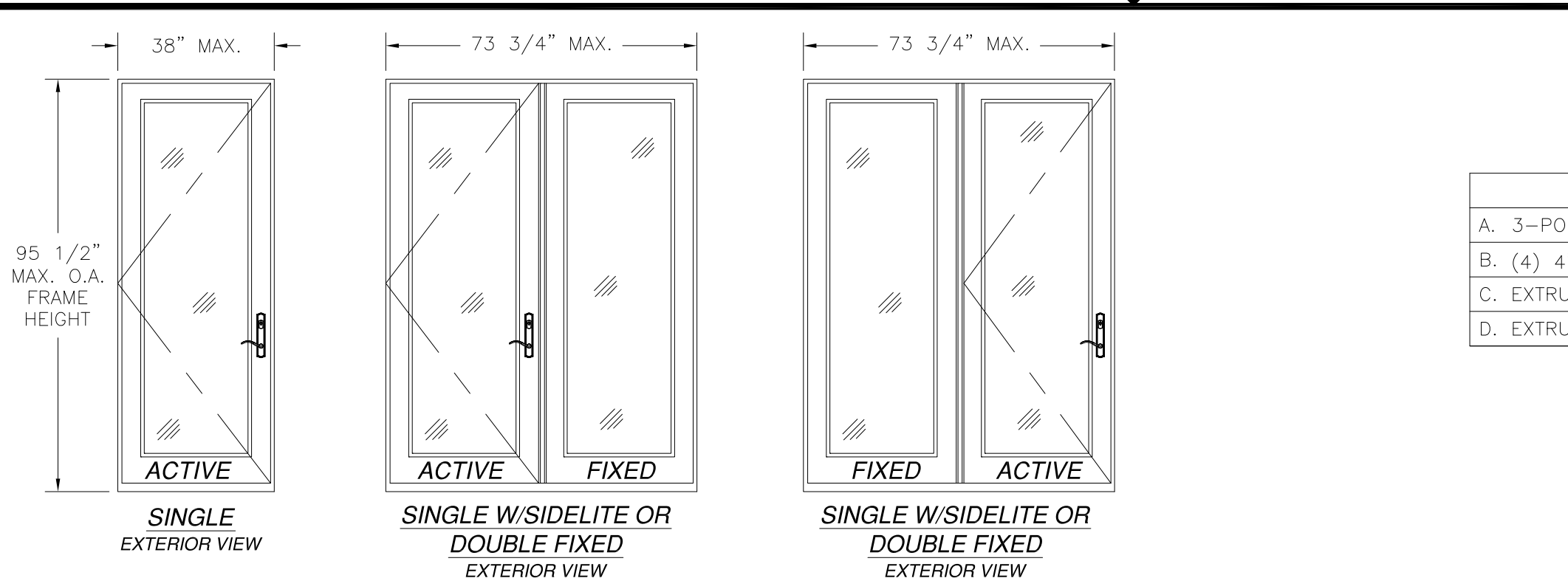
1. THE PRODUCT SHOWN HEREIN IS DESIGNED AND MANUFACTURED TO COMPLY WITH REQUIREMENTS OF THE FLORIDA BUILDING CODE.
2. WOOD FRAMING AND MASONRY OPENING TO BE DESIGNED AND ANCHORED TO PROPERLY TRANSFER ALL LOADS TO STRUCTURE. FRAMING AND MASONRY OPENING IS THE RESPONSIBILITY OF THE ARCHITECT OR ENGINEER OF RECORD.
3. 1X BUCK OVER MASONRY/CONCRETE IS OPTIONAL. WHERE 1X BUCK IS NOT USED DISSIMILAR MATERIALS MUST BE SEPARATED WITH APPROVED COATING OR MEMBRANE. SELECTION OF COATING OR MEMBRANE IS THE RESPONSIBILITY OF THE ARCHITECT OR ENGINEER OF RECORD.
4. UNITS MUST BE GLAZED PER ASTM E1300-04, SEE SHEET 2 FOR GLASS OPTIONS.
5. APPROVED IMPACT PROTECTIVE SYSTEM IS REQUIRED FOR THIS PRODUCT IN WIND BORNE DEBRIS REGIONS.
6. SHIM AS REQUIRED AT EACH INSTALLATION ANCHOR WITH LOAD BEARING SHIM. SHIM WHERE SPACE OF 1/16" OR GREATER OCCURS. MAXIMUM ALLOWABLE SHIM STACK TO BE 1/4".
7. FOR ANCHORING INTO WOOD FRAMING OR 2X BUCK USE #10 WOOD SCREWS WITH SUFFICIENT LENGTH TO ACHIEVE A 1 3/8" MINIMUM EMBEDMENT INTO SUBSTRATE. LOCATE ANCHORS AS SHOWN IN ELEVATIONS AND INSTALLATION DETAILS.
8. FOR ANCHORING INTO MASONRY/CONCRETE USE 3/16" TAPCONS WITH SUFFICIENT LENGTH TO ACHIEVE A 1 1/4" MINIMUM EMBEDMENT INTO SUBSTRATE WITH 2 1/2" MINIMUM EDGE DISTANCE. LOCATE ANCHORS AS SHOWN IN ELEVATIONS AND INSTALLATION DETAILS.
9. ALL FASTENERS TO BE CORROSION RESISTANT.
10. INSTALLATION ANCHORS SHALL BE INSTALLED IN ACCORDANCE WITH ANCHOR MANUFACTURER'S INSTALLATION INSTRUCTIONS AND ANCHORS SHALL NOT BE USED IN SUBSTRATES WITH STRENGTHS LESS THAN THE MINIMUM STRENGTH SPECIFIED BELOW:
 - A. WOOD – MINIMUM SPECIFIC GRAVITY OF G=0.42
 - B. CONCRETE – MINIMUM COMPRESSIVE STRENGTH OF 3,192 PSI.
 - C. MASONRY – STRENGTH CONFORMANCE TO ASTM C-90, GRADE N, TYPE 1 (OR GREATER).
11. FRAME JAMB AND HEAD MATERIAL: CO-EXTRUDED PVC FOAM 1 1/2" THICK.
12. FRAME SILL MATERIAL: CO-EXTRUDED PVC FOAM 2" THICK WITH ALUMINUM CLADDING .063" THICK.
13. DOOR PANEL AND SIDELITE MATERIAL: .075" THICK FIBERGLASS SKIN WITH PVC FOAM TOP AND BOTTOM RAILS, AND PVC FOAM VERTICAL STILES WITH PINE REINFORCEMENTS AND POLYURETHANE FOAM CORE.
14. APPROVED CONFIGURATIONS: X, OX, XO, XX, OO, OXO, XXO, OXX, OOO AND OXXO. SEE SHEET 2.
15. HINGE LOCATION: (2) FROM TOP OF PANEL DOWN AT 8" AND 33 1/4" AND (2) FROM BOTTOM OF PANEL UP AT 8 1/2" AND 34".

SIGNED: 11/05/2014

TABLE OF CONTENTS	
SHEET NO.	DESCRIPTION
1	ELEVATION AND NOTES
2	ADDITIONAL CONFIGURATIONS AND HARDWARE
3	ANCHORING LAYOUTS
4 – 6	INSTALLATION DETAILS

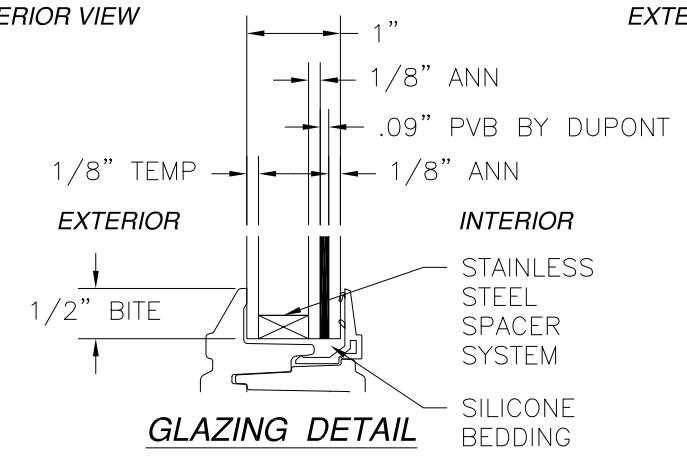
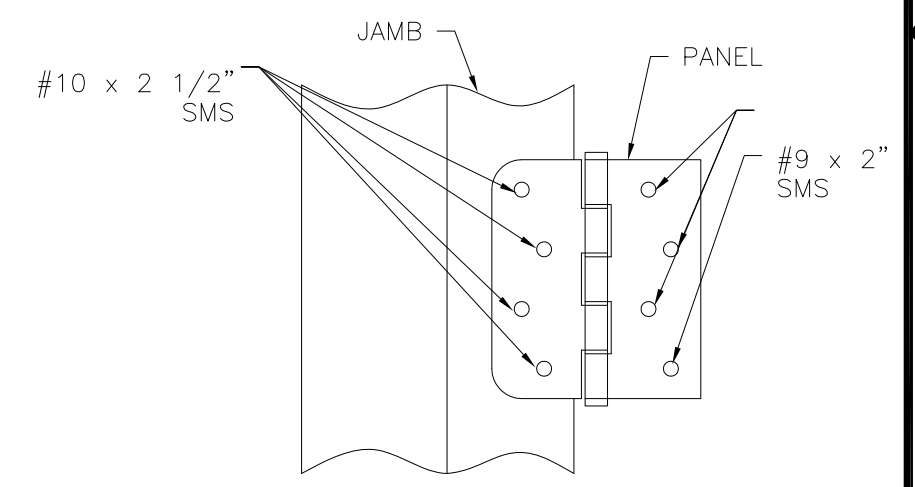
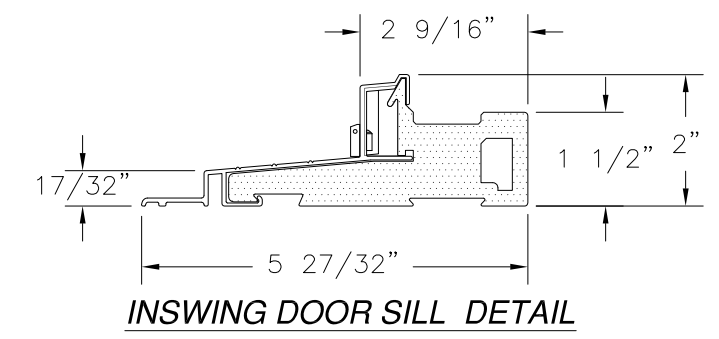
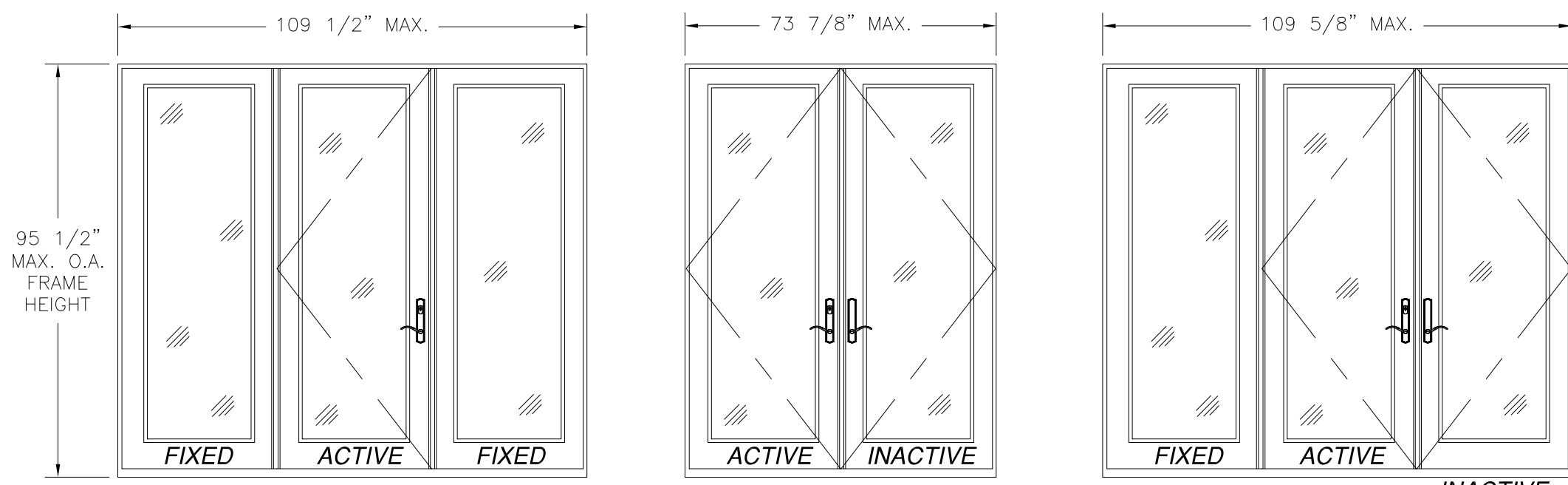
NAN YA PLASTICS CORP. USA 8989 NORTH LOOP EAST HOUSTON, TX 77029		
SERIES DISTINCTION IN-SWING FIBERGLASS CLAD ENTRY DOOR W/ & W/O SIDELITES OXXO ELEVATION AND NOTES		
DRAWN: TJH	DWG NO. 08-00768	REV B
SCALE NTS	DATE 07/01/09	SHEET 1 OF 6





REVISIONS			
REV	DESCRIPTION	DATE	APPROVED
A	REVISED NOTES & GLAZING DETAIL	3/12/12	R.L.
B	ADDED EDGE DISTANCES	11/05/14	R.L.

HARDWARE SCHEDULE	
A.	3-POINT LOCK HANDLE ASSEMBLY NINGBO MICOTA LOCKS
B.	(4) 4" x 4" BUTT HINGES BY WENZHOU LONGTAI HINGES
C.	EXTRUDED ALUMINUM & PVC FOAM ASTRAGAL BY NAN YA PLASTICS
D.	EXTRUDED ALUMINUM & PVC FOAM MULLION BY NAN YA PLASTICS



NOTE:
ALL APPROVED CONFIGURATIONS ARE SHOWN AS LEFT HAND ACTIVE, RIGHT HAND ACTIVE IS ALSO APPROVED.

NAN YA PLASTICS CORP. USA
8989 NORTH LOOP EAST
HOUSTON, TX 77029

SERIES DISTINCTION IN-SWING FIBERGLASS CLAD ENTRY DOOR W/ & W/O SIDELITES
ADDITIONAL CONFIGURATIONS AND HARDWARE

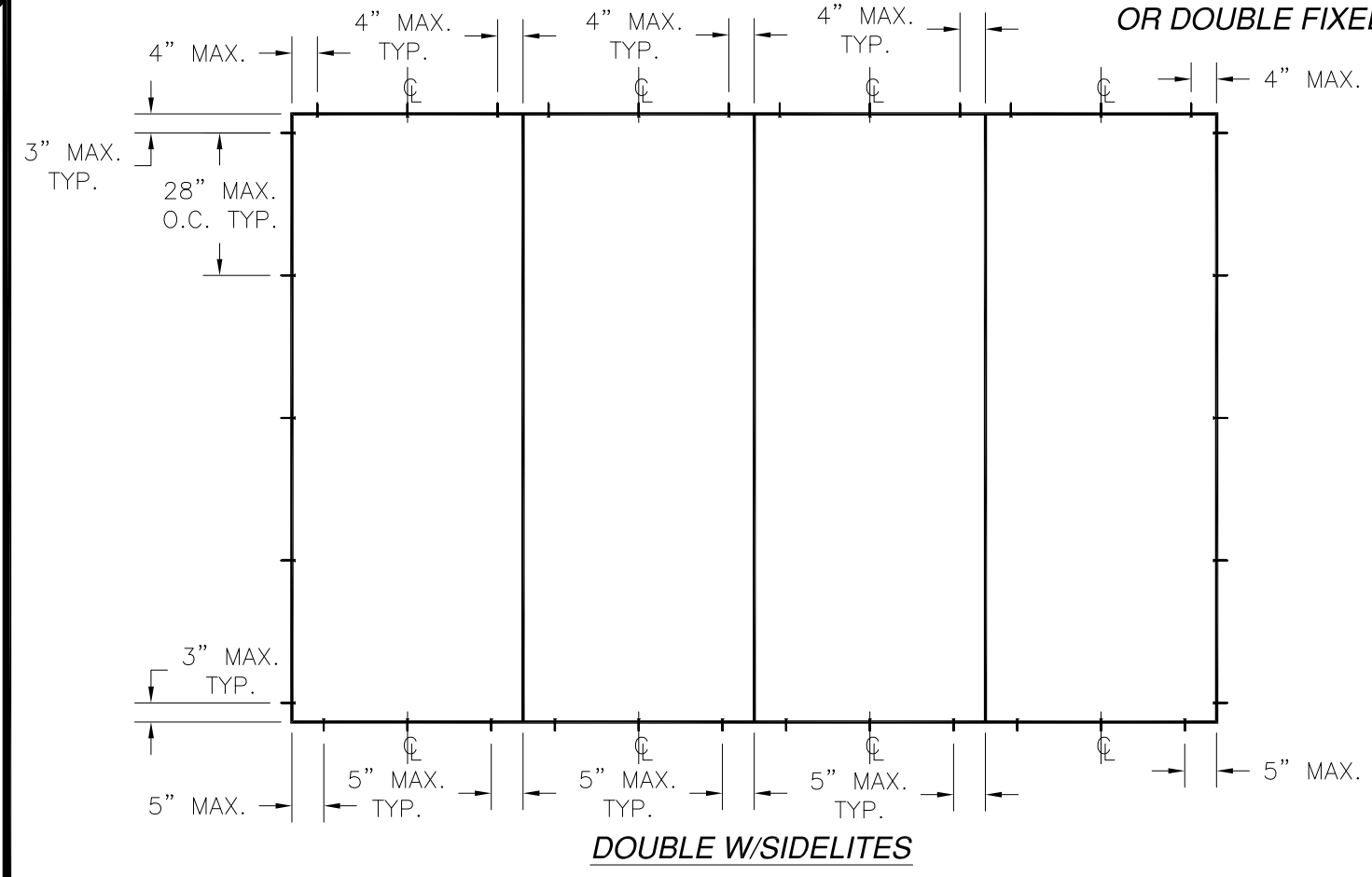
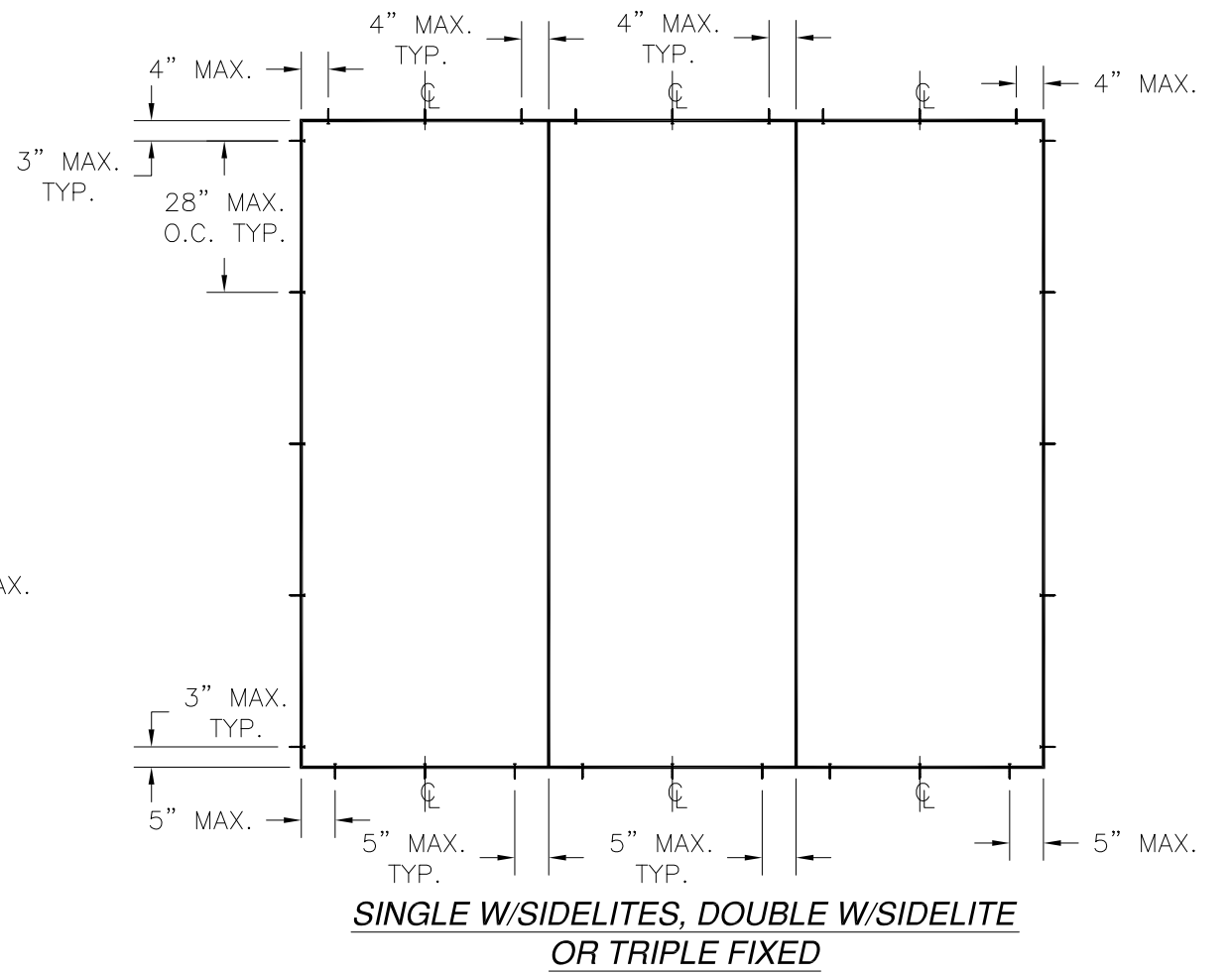
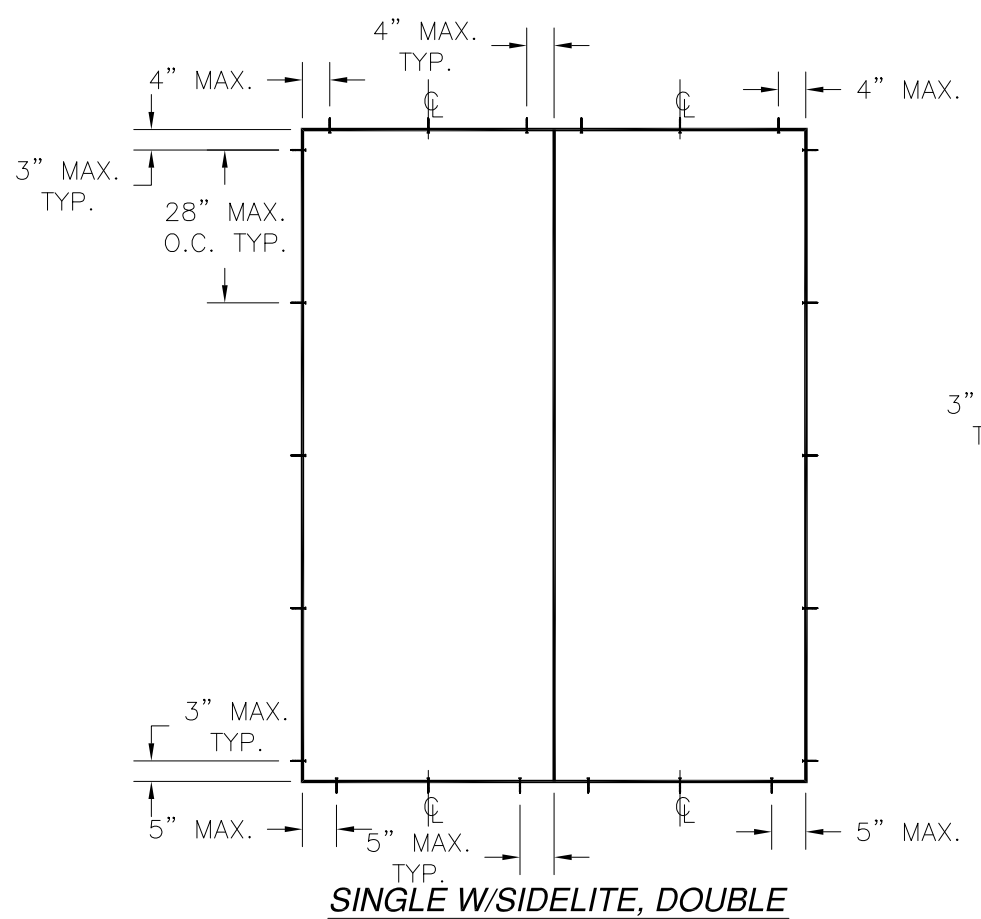
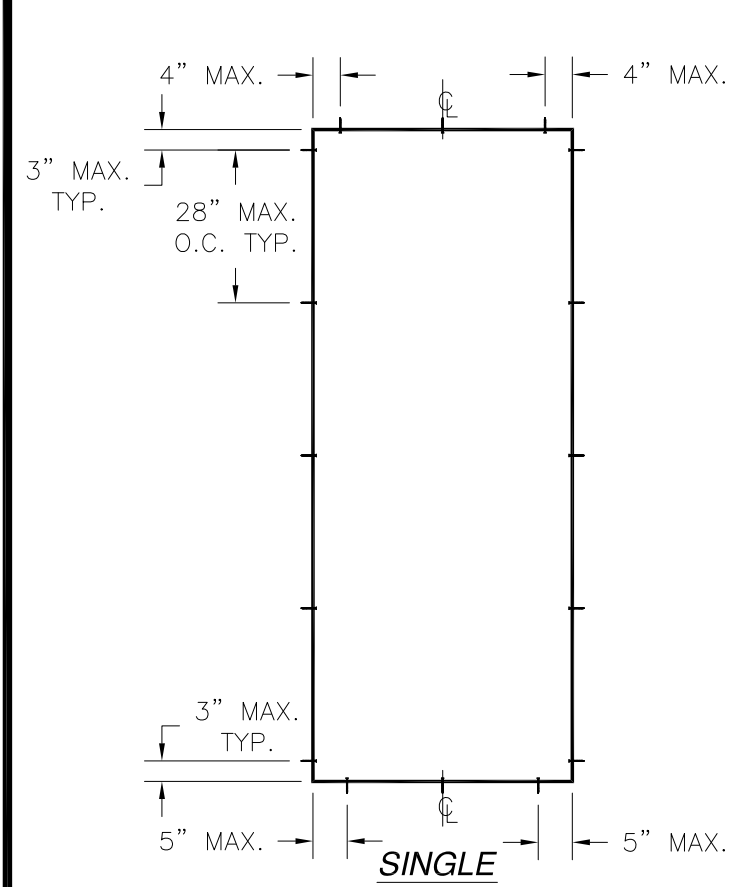
DRAWN: TJH DWG NO. 08-00768 REV B

SCALE NTS DATE 07/01/09 SHEET 2 OF 6

SIGNED: 11/05/2014

LUIS R. LOMAS
LICENSE
No. 62514
STATE OF FLORIDA
PROFESSIONAL ENGINEER

REVISIONS			
REV	DESCRIPTION	DATE	APPROVED
A	REVISED NOTES & GLAZING DETAIL	3/12/12	R.L.
B	ADDED EDGE DISTANCES	11/05/14	R.L.



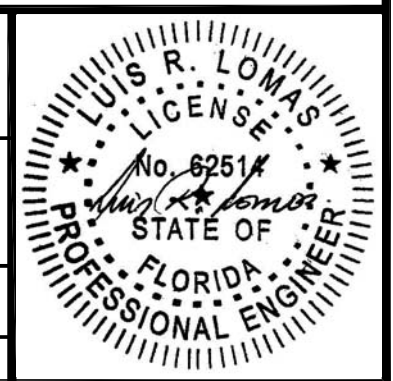
SIGNED: 11/05/2014

NAN YA PLASTICS CORP. USA
 8989 NORTH LOOP EAST
 HOUSTON, TX 77029

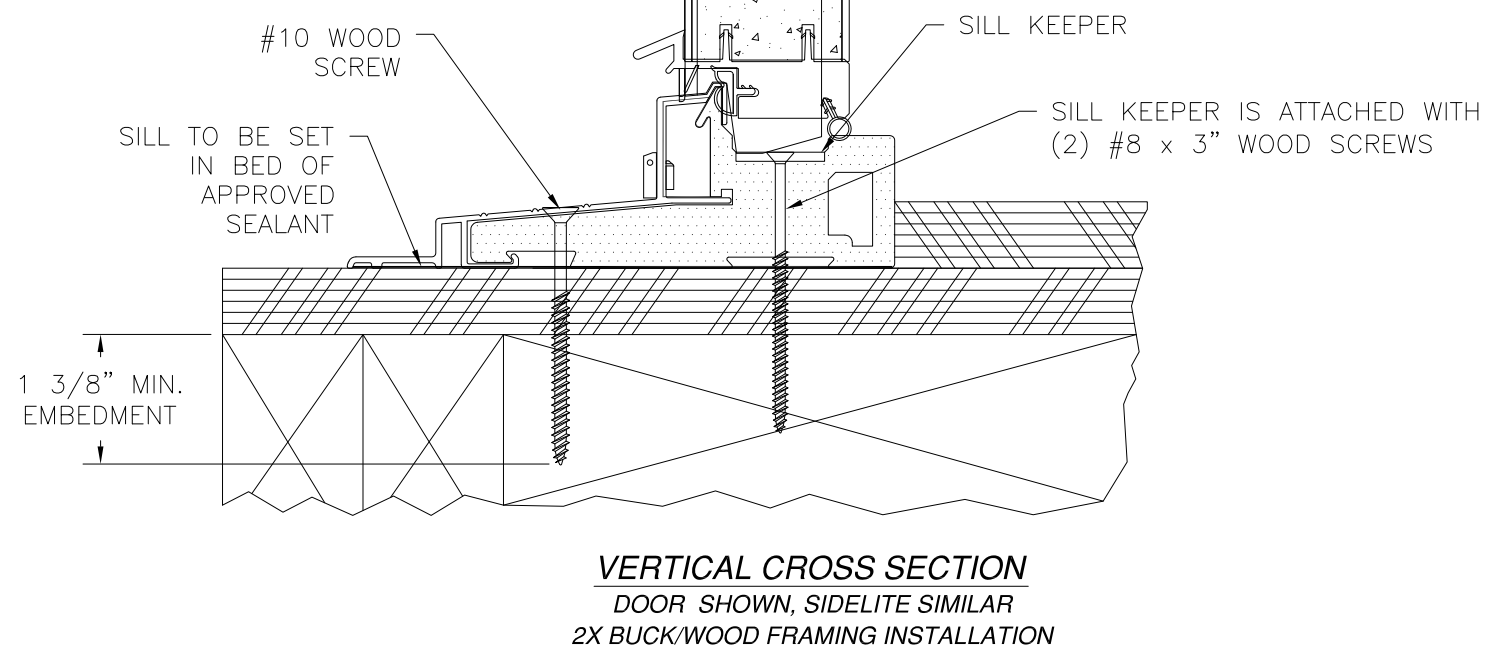
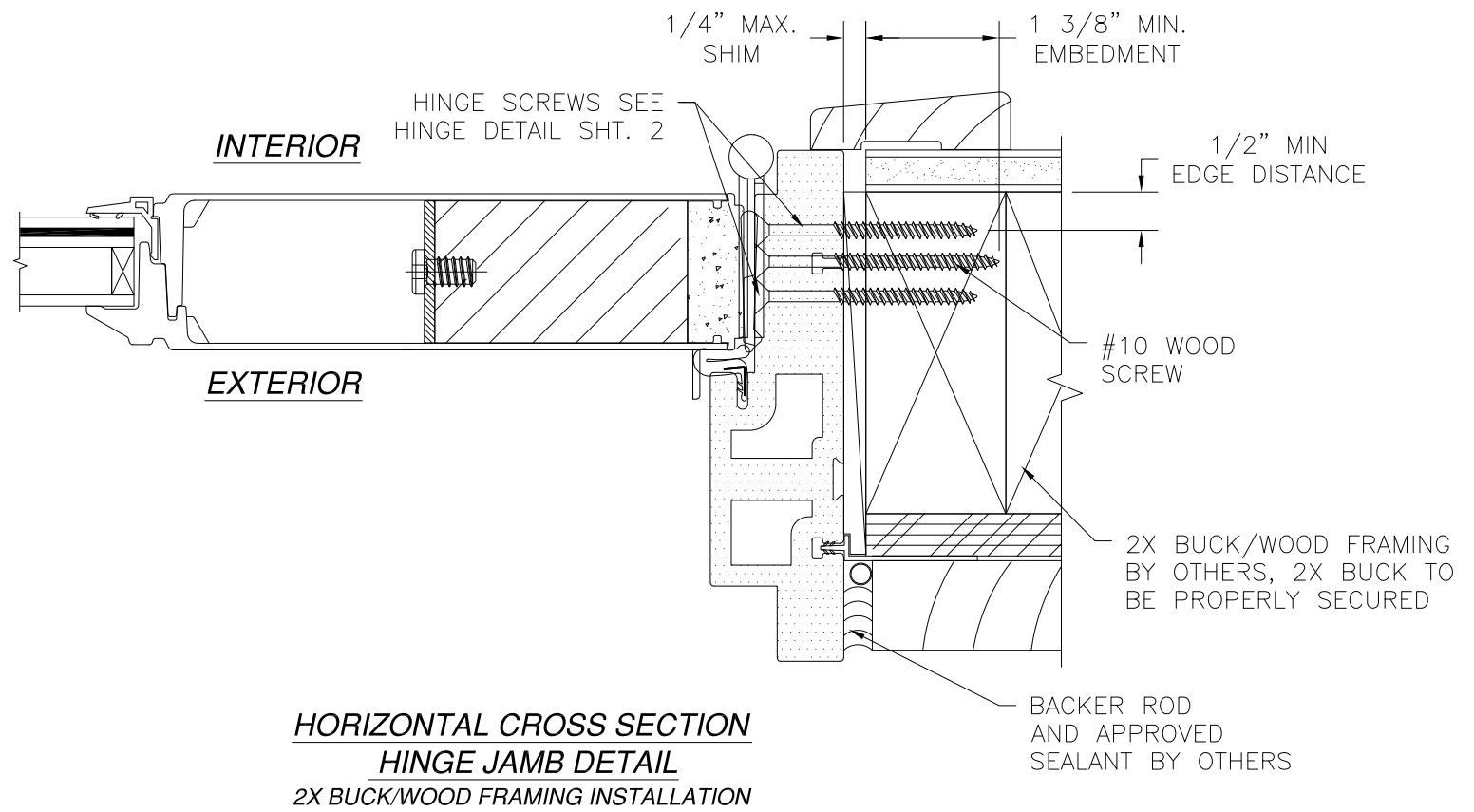
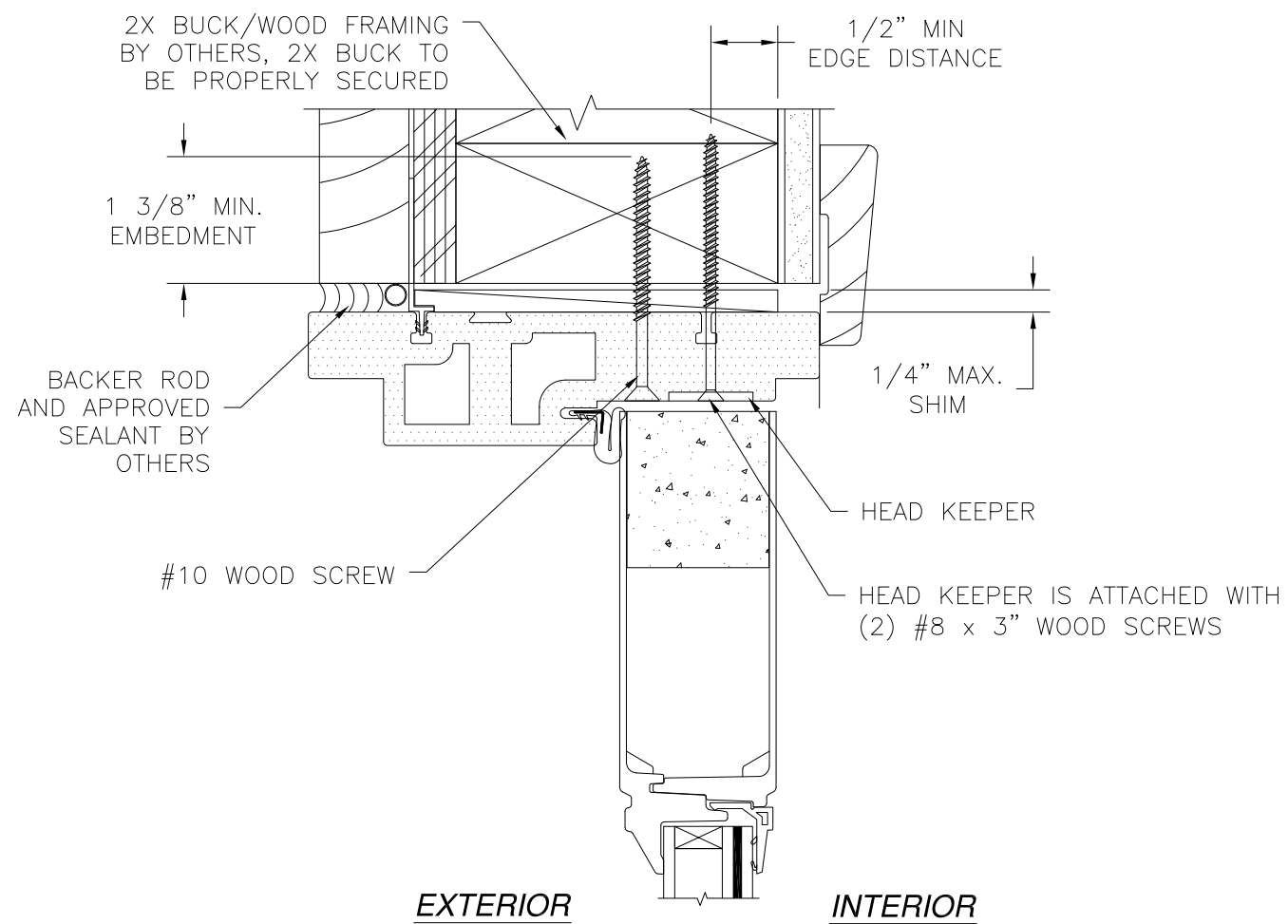
SERIES DISTINCTION IN-SWING FIBERGLASS CLAD
 ENTRY DOOR W/ & W/O SIDELITES
 ANCHORING LAYOUTS

DRAWN: TJH DWG NO. 08-00768 REV B

SCALE NTS DATE 07/01/09 SHEET 3 OF 6



REVISIONS			
REV	DESCRIPTION	DATE	APPROVED
A	REVISED NOTES & GLAZING DETAIL	3/12/12	R.L.
B	ADDED EDGE DISTANCES	11/05/14	R.L.



**HORIZONTAL CROSS SECTION
HINGE JAMB DETAIL
2X BUCK/WOOD FRAMING INSTALLATION**

**VERTICAL CROSS SECTION
DOOR SHOWN, SIDELITE SIMILAR
2X BUCKWOOD FRAMING INSTALLATION**

SIGNED: 11/05/2014

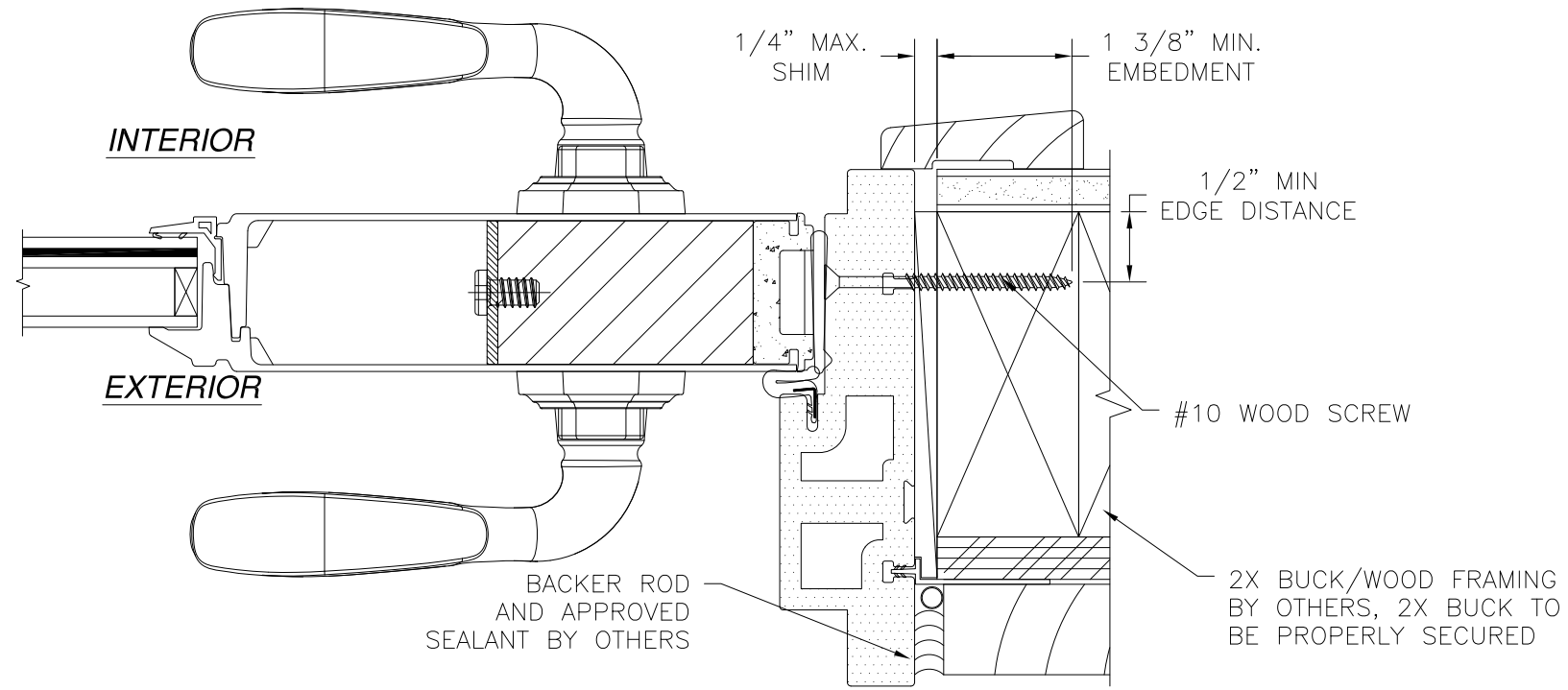
NAN YA PLASTICS CORP. USA
 8989 NORTH LOOP EAST
 HOUSTON, TX 77029

SERIES DISTINCTION IN-SWING FIBERGLASS CLAD
 ENTRY DOOR W/ & W/O SIDELITES
 INSTALLATION DETAILS

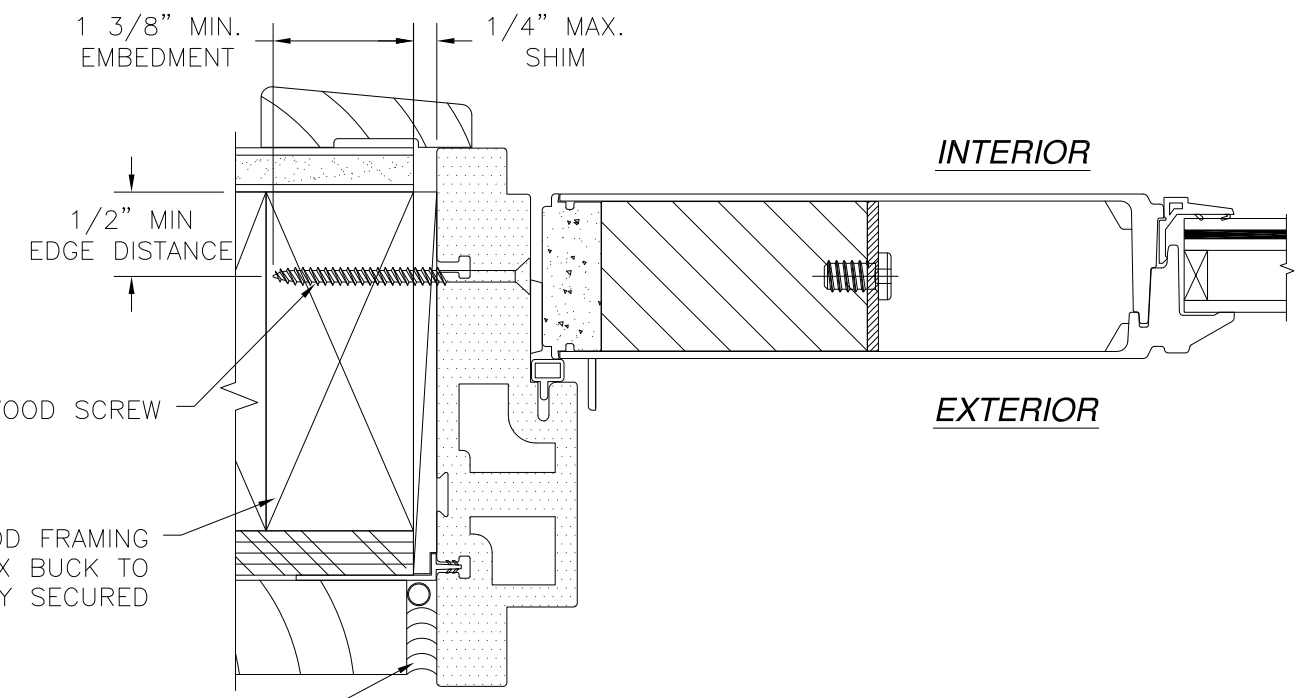
DRAWN: TJH	DWG NO. 08-00768	REV B
SCALE NTS	DATE 07/01/09	SHEET 4 OF 6



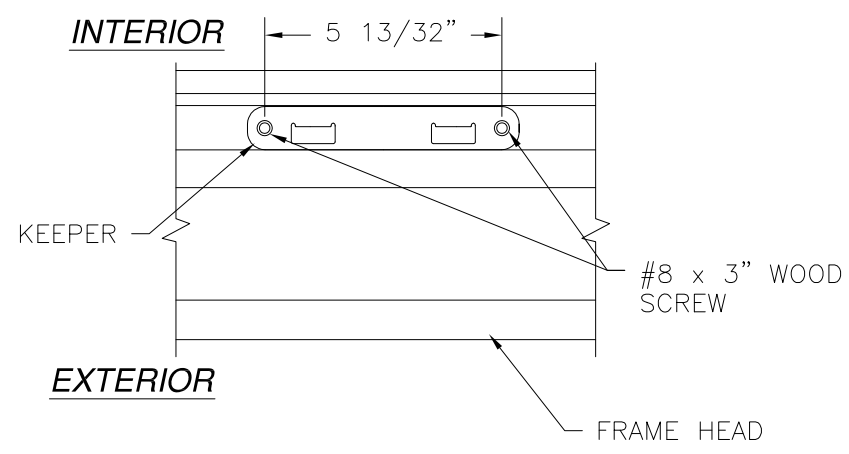
REVISIONS			
REV	DESCRIPTION	DATE	APPROVED
A	REVISED NOTES & GLAZING DETAIL	3/12/12	R.L.
B	ADDED EDGE DISTANCES	11/05/14	R.L.



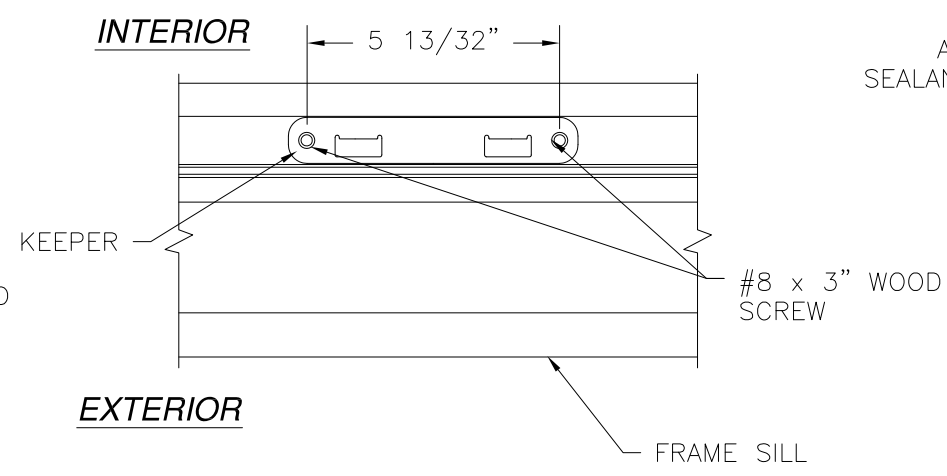
**HORIZONTAL CROSS SECTION
STRIKE JAMB DETAIL**
2X BUCK/WOOD FRAMING INSTALLATION



**HORIZONTAL CROSS SECTION
SIDELITE JAMB DETAIL**
2X BUCK/WOOD FRAMING INSTALLATION



HEAD KEEPER DETAIL



SILL KEEPER DETAIL

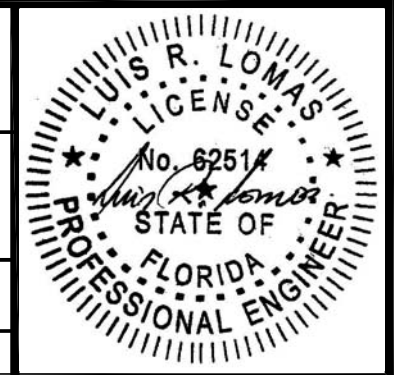
SIGNED: 11/05/2014

NAN YA PLASTICS CORP. USA
8989 NORTH LOOP EAST
HOUSTON, TX 77029

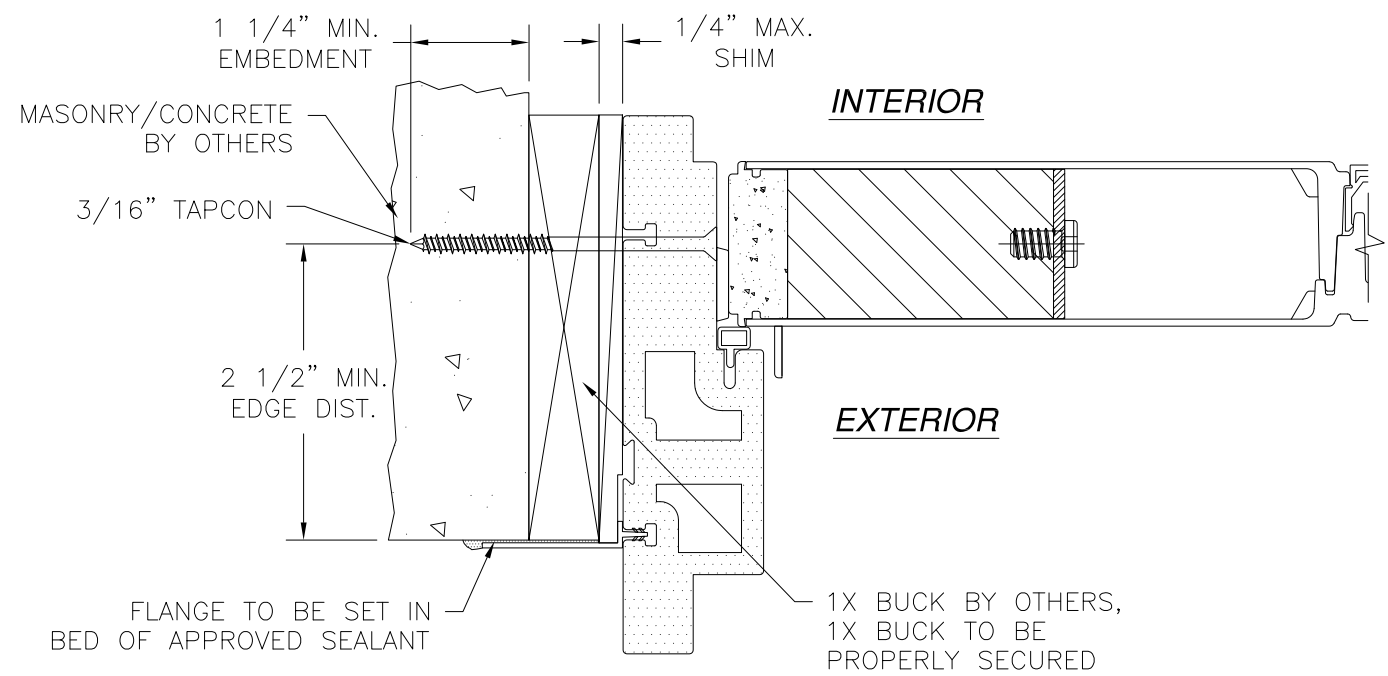
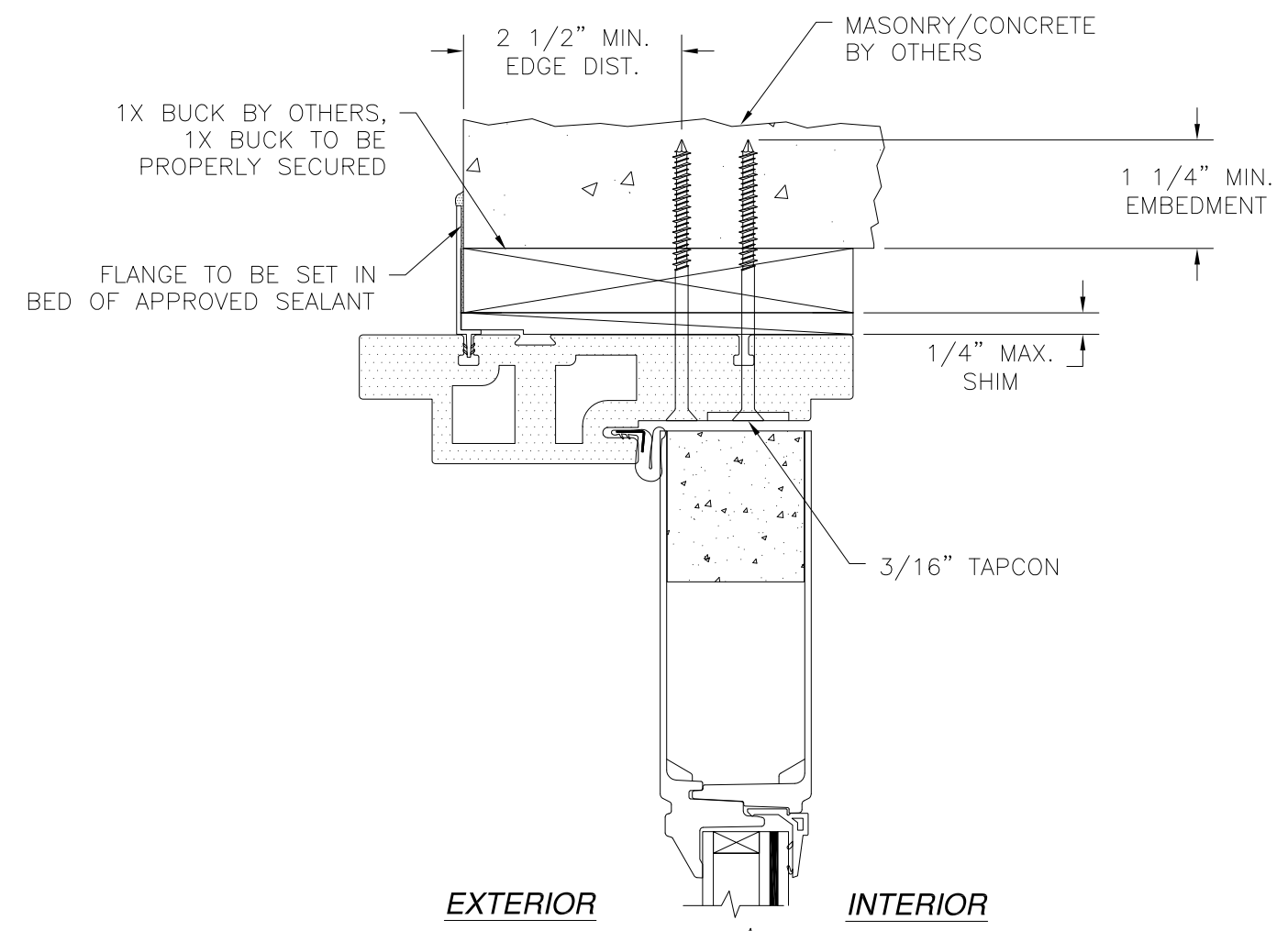
SERIES DISTINCTION IN-SWING FIBERGLASS CLAD
ENTRY DOOR W/ & W/O SIDELITES
INSTALLATION DETAILS

DRAWN: TJH DWG NO. 08-00768 REV B

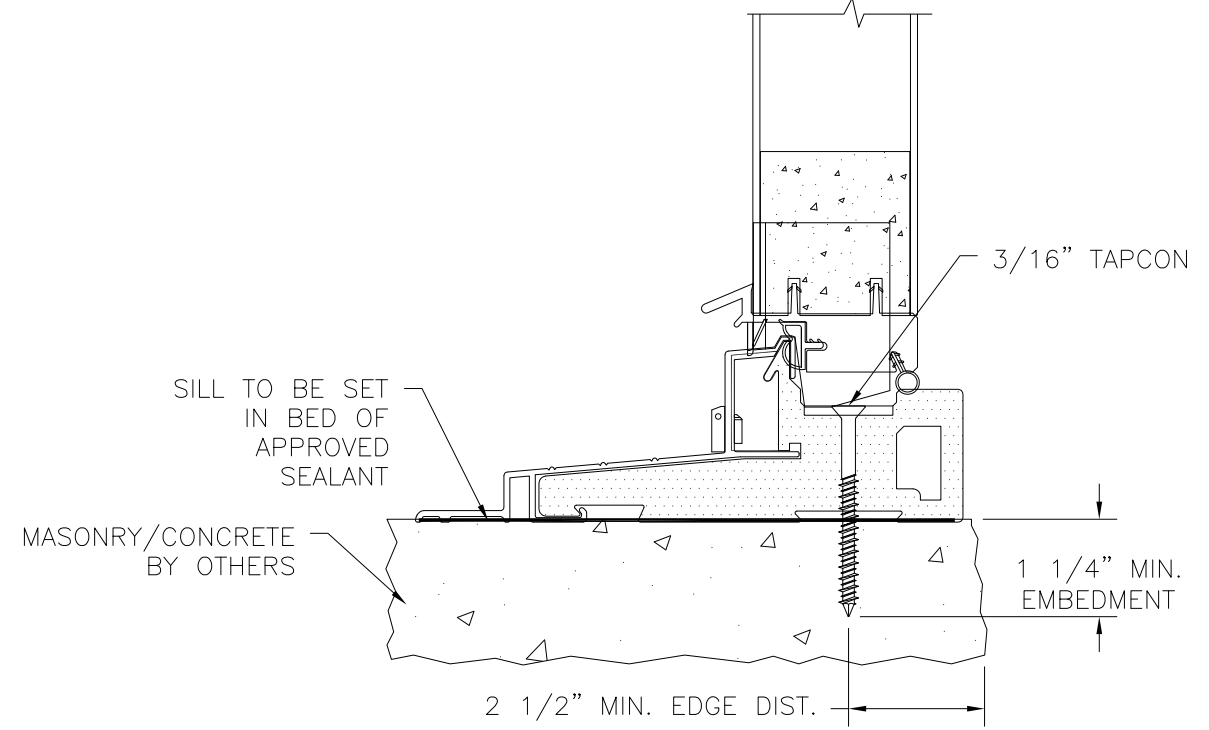
SCALE NTS DATE 07/01/09 SHEET 5 OF 6



REVISIONS			
REV	DESCRIPTION	DATE	APPROVED
A	REVISED NOTES & GLAZING DETAIL	3/12/12	R.L.
B	ADDED EDGE DISTANCES	11/05/14	R.L.



MASONRY/CONCRETE INSTALLATION
DOOR JAMB SHOWN, SIDELITE JAMB SIMILAR



MASONRY/CONCRETE INSTALLATION
DOOR SHOWN SIDELITE SIMILAR

SIGNED: 11/05/2014

NAN YA PLASTICS CORP. USA
8989 NORTH LOOP EAST
HOUSTON, TX 77029

SERIES DISTINCTION IN-SWING FIBERGLASS CLAD
ENTRY DOOR W/ & W/O SIDELITES
INSTALLATION DETAILS

DRAWN: TJH	DWG NO. 08-00768	REV B
SCALE NTS	DATE 07/01/09	SHEET 6 OF 6

