

Florida Building Code Product Approval
FL14752.19-R3 Non-Impact 9'0" x 8'0 Outswing, 3/4 Lite DP50

FL #	FL14752-R3						
Application Type	Revision						
Code Version	2010						
Application Status	Approved						
	*Approved by DBPR. Approvals by DBPR shall be reviewed and ratified by the POC and/or the Commission if necessary.						
Comments							
Archived	<input type="checkbox"/>						
Product Manufacturer	Nan Ya Plastics Corporation USA						
Address/Phone/Email	8989 North Loop East Houston, TX 77029 (713) 674-7822 Ext 105 ajen96@yahoo.com.tw						
Authorized Signature	RUSKIN WU ajen96@yahoo.com.tw						
Technical Representative	Ruskin Wu						
Address/Phone/Email	8989 North Loop East Houston, TX 77029-1217 (713) 674-7822 Ext 105 ajen96@yahoo.com.tw						
Quality Assurance Representative							
Address/Phone/Email							
Category	Exterior Doors						
Subcategory	Swinging Exterior Door Assemblies						
Compliance Method	Certification Mark or Listing						
Certification Agency	National Accreditation & Management Institute						
Validated By	National Accreditation & Management Institute,						
Referenced Standard and Year (of Standard)	<table border="0"> <thead> <tr> <th><u>Standard</u></th> <th><u>Year</u></th> </tr> </thead> <tbody> <tr> <td>AAMA/NWWDA 101/I.S.2</td> <td>1997</td> </tr> <tr> <td>AAMA/WDMA</td> <td>2002</td> </tr> </tbody> </table>	<u>Standard</u>	<u>Year</u>	AAMA/NWWDA 101/I.S.2	1997	AAMA/WDMA	2002
<u>Standard</u>	<u>Year</u>						
AAMA/NWWDA 101/I.S.2	1997						
AAMA/WDMA	2002						

Florida Building Code Product Approval
FL14752.19-R3 Non-Impact 9'0" x 8'0 Outswing, 3/4 Lite DP50

	101/I.S.2/NAFS AAMA/WDMA/CSA 101/I.S.2/A440 ASTM E1886 ASTM E1886 ASTM E1996 ASTM E1996 ASTM E1996 ASTM E330	2008 2005 2002 2002 2006 2002
Equivalence of Product Standards Certified By		
Product Approval Method	Method 1 Option A	
Date Submitted	10/22/2014	
Date Validated	11/24/2014	
Date Pending FBC Approval		
Date Approved	11/25/2014	

14752.19	Series "Nan Ya" 8' O/S Hinged 3/4 Lite Fiberglass Patio Door	NEUMA NON-IMPACT OUTSWING - 9'0" X 8'0" , 3/4 GLAZED, 3 PANEL DP50
Limits of Use Approved for use in HVHZ: No Approved for use outside HVHZ: Yes Impact Resistant: No Design Pressure: +50/-50 Other: UNITS GLAZED WITH SAFETY GLASS PER ASTM E1300-04.		Certification Agency Certificate FL14752_R3_C_CAC_NI009842A-R3.pdf Quality Assurance Contract Expiration Date 01/31/2017 Installation Instructions FL14752_R3_II_08-00767D.pdf Verified By: Luis R. Lomas, P.E. 62514 Created by Independent Third Party: Yes Evaluation Reports FL14752_R3_AE_511302C.pdf Created by Independent Third Party: Yes

NOTICE OF PRODUCT CERTIFICATION



CERTIFICATION NO: NI009842A-R3
DATE: 03/24/2009
CERTIFICATION PROGRAM: Structural
COMPANY: Nan Ya
CODE: 661-1
REVISION DATE: 04/09/2013

To verify that the "Notice of Product Certification" is valid, please visit www.NAMICertification.com to assure that the product is active and currently listed. This certification represents product conformity to the applicable specification and that certification criteria has been satisfied. A NAMI approved certification label must be applied to the product to claim certification status. Please review and advise NAMI if any corrections are required to this document.

COMPANY NAME AND ADDRESS	PRODUCT DESCRIPTION
Nan Ya Plastics Corporation USA 8989 North Loop East, Suite 800 Houston, TX 77029	Series" Nan Ya" 8' Out-Swing Hinged 3/4 Lite Fiberglas Patio Door Configuration: (1) Fixed Panel/(1) Active Panel/(1) Passive Pannel (OXX) Glazing: IG-1/8" Tempered Glass/Laminate-1/8" Annealed Glass/0.090" Solutia Interlayer/1/8" Annealed Glass Frame: W-2686mm(105.75) H-2426mm(95.5") Panel: W-876mm(34.5") H-2370mm(93.32") DLO: W-641mm(25.25") H-1606mm(63.25")

SPECIFICATION	PRODUCT RATING
AAMA/NWWDA 101/I.S.2/NAFS-02 ASTM E330-02	HGD-R50 Design Pressure: +50/-50 psf

Product Tested By: Certified Testing Laboratories
Report No: CTLA-1907 W
Expiration Date: **January 31, 2017**

Administrator's Signature: _____

A handwritten signature in black ink, appearing to be 'Shi' or similar, written over a horizontal line.

**NATIONAL ACCREDITATION AND
MANAGEMENT INSTITUTE, INC.**
4794 George Washington Memorial Highway
Hayes, VA 23072
Tel: (804) 684-5124
Fax: (804) 684-5122

L. Roberto Lomas P.E.

233 W. Main St.

Danville, VA 24541

434-688-0609

rlomas@lrlomaspe.com

Engineering Evaluation Report

Report No.: 511302C

Manufacturer: Nan Ya Plastics Corporation
8989 North Loop East
Houston, TX 77029

Product Line: Series Nan-Ya 8'0 Out-swing Hinged ¾ Lite Fiberglass Patio Door w/ and w/o Sidelites

Compliance:

The above mentioned product has been evaluated for compliance with the requirements of the Florida Department of Business and Professional Regulation for Statewide Acceptance per Rule 61G20-3.005 method 1(a). The product listed herein complies with requirements of the Florida Building Code.

Supporting Technical Documentation:

Approval document: drawing number 08-00767 revision D, prepared, signed and sealed by Luis Roberto Lomas P.E.

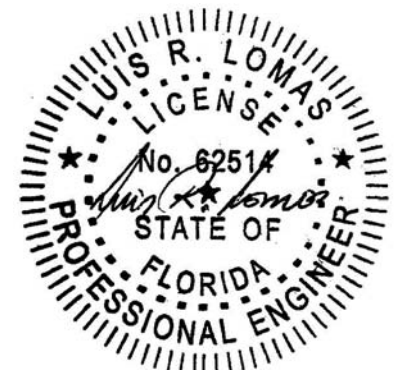
1. Report No.: CTLA 1907W signed and sealed by Ramesh Patel P.E.
Certified Testing Laboratories, Orlando, FL
AAMA/NWWDA 101/I.S.2/NAFS-02
Design pressure: ±50.0psf
Water penetration resistance 7.5psf
2. Anchor calculations, report number 511736-1, prepared, signed and sealed by Luis Roberto Lomas P.E.

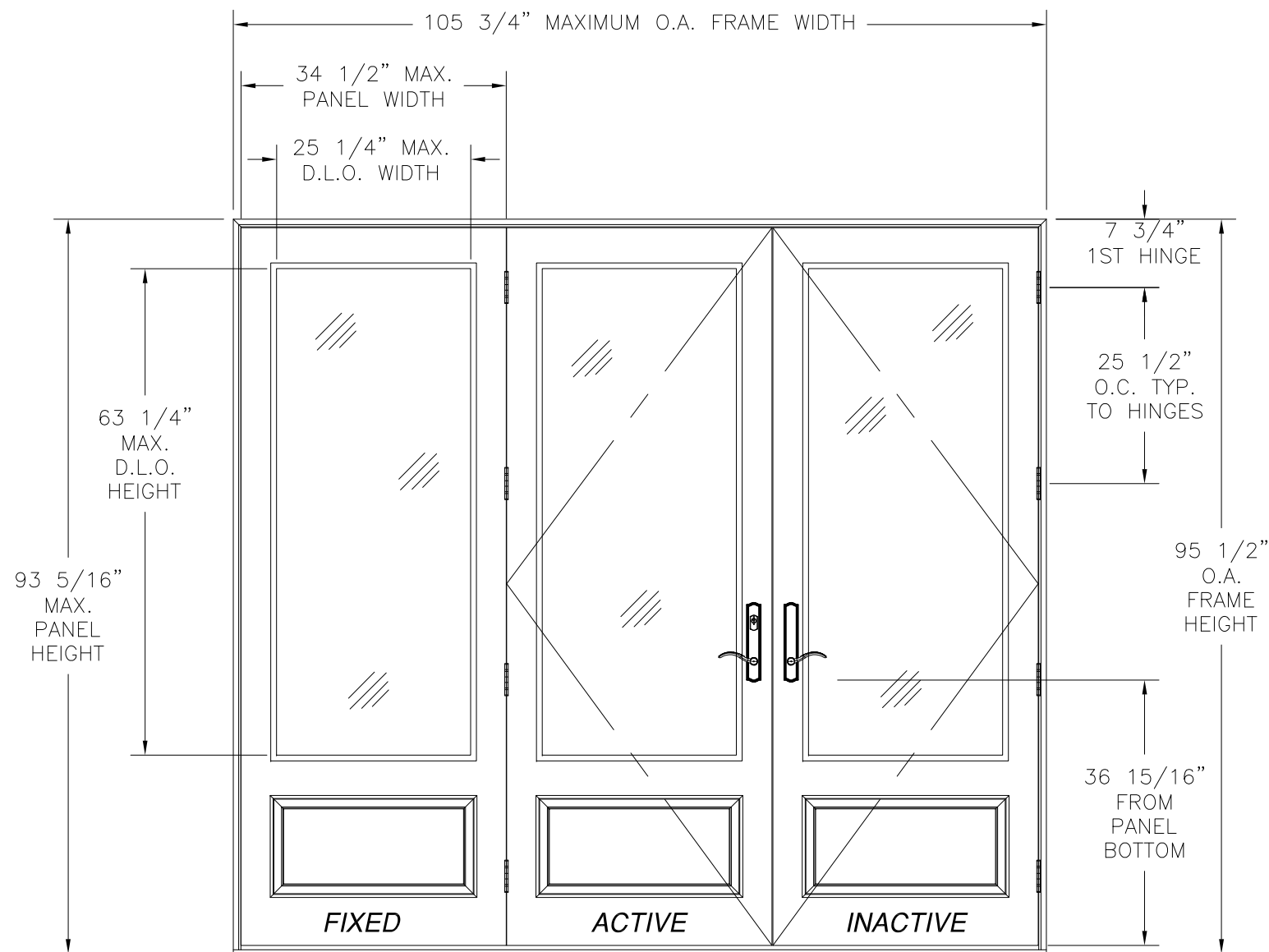
Limitations and Conditions of use:

- Maximum design pressure: ±50.0psf
- Maximum unit size: 105 ¾" x 95 ½"
- Units must be glazed per ASTM E 1300-04, see installation instructions for glass options.
- This product is not rated to be used in the HVHZ.
- This product is not impact resistant and requires impact protection in wind borne debris regions.

Installation: Units must be installed in accordance with approval document, 08-00767 revision D.

Certification of Independence: Please note that I don't have nor will acquire a financial interest in any company manufacturing or distributing the product(s) for which this report is being issued. Also, I don't have nor will acquire a financial interest in any other entity involved in the approval process of the listed product(s).





REVISIONS

REV	DESCRIPTION	DATE	APPROVED
A	REVISED NOTES AND GLAZING DETAIL	03/12/12	R.L.
B	ADDED ANCHOR NOTE	05/29/12	R.L.
C	REVISED PER NEW CERTIFICATION	07/10/13	R.L.
D	ADDED EDGE DISTANCES	11/05/14	R.L.

NOTES:

1. THE PRODUCT SHOWN HEREIN IS DESIGNED AND MANUFACTURED TO COMPLY WITH REQUIREMENTS OF THE FLORIDA BUILDING CODE.
2. WOOD FRAMING AND MASONRY OPENING TO BE DESIGNED AND ANCHORED TO PROPERLY TRANSFER ALL LOADS TO STRUCTURE. FRAMING AND MASONRY OPENING IS THE RESPONSIBILITY OF THE ARCHITECT OR ENGINEER OF RECORD.
3. 1X BUCK OVER MASONRY/CONCRETE IS OPTIONAL. WHERE 1X BUCK IS NOT USED DISSIMILAR MATERIALS MUST BE SEPARATED WITH APPROVED COATING OR MEMBRANE. SELECTION OF COATING OR MEMBRANE IS THE RESPONSIBILITY OF THE ARCHITECT OR ENGINEER OF RECORD.
4. UNITS MUST BE GLAZED PER ASTM E1300-04, SEE SHEET 2 FOR GLASS OPTIONS.
5. APPROVED IMPACT PROTECTIVE SYSTEM IS REQUIRED FOR THIS PRODUCT IN WIND BORNE DEBRIS REGIONS.
6. SHIM AS REQUIRED AT EACH INSTALLATION ANCHOR WITH LOAD BEARING SHIM. SHIM WHERE SPACE OF 1/16" OR GREATER OCCURS. MAXIMUM ALLOWABLE SHIM STACK TO BE 1/4".
7. FOR ANCHORING INTO WOOD FRAMING OR 2X BUCK USE #10 WOOD SCREWS WITH SUFFICIENT LENGTH TO ACHIEVE A 1 3/8" MINIMUM EMBEDMENT INTO SUBSTRATE. LOCATE ANCHORS AS SHOWN IN ELEVATIONS AND INSTALLATION DETAILS.
8. FOR ANCHORING INTO MASONRY/CONCRETE USE 3/16" TAPCONS WITH SUFFICIENT LENGTH TO ACHIEVE A 1 1/4" MINIMUM EMBEDMENT INTO SUBSTRATE WITH 2 1/2" MINIMUM EDGE DISTANCE. LOCATE ANCHORS AS SHOWN IN ELEVATIONS AND INSTALLATION DETAILS.
9. ALL FASTENERS TO BE CORROSION RESISTANT.
10. INSTALLATION ANCHORS SHALL BE INSTALLED IN ACCORDANCE WITH ANCHOR MANUFACTURER'S INSTALLATION INSTRUCTIONS AND ANCHORS SHALL NOT BE USED IN SUBSTRATES WITH STRENGTHS LESS THAN THE MINIMUM STRENGTH SPECIFIED BELOW:
 - A. WOOD - MINIMUM SPECIFIC GRAVITY OF G=0.42
 - B. CONCRETE - MINIMUM COMPRESSIVE STRENGTH OF 3,192 PSI.
 - C. MASONRY - STRENGTH CONFORMANCE TO ASTM C-90, GRADE N, TYPE 1 (OR GREATER).
11. FRAME JAMB AND HEAD MATERIAL: CO-EXTRUDED PVC FOAM 1 1/2" THICK.
12. FRAME SILL MATERIAL: CO-EXTRUDED PVC FOAM 1 1/2" THICK WITH ALUMINUM CLADDING .063" THICK.
13. DOOR PANEL AND SIDELITE MATERIAL: .075" THICK FIBERGLASS SKIN WITH PVC FOAM TOP AND BOTTOM RAILS, AND PVC FOAM VERTICAL STILES WITH PINE REINFORCEMENTS AND POLYURETHANE FOAM CORE.
14. APPROVED CONFIGURATIONS: X, OX, XO, XX, OXO, XXO AND OXX. SEE SHEET 2.

**SERIES NAN YA 8'0 OUT-SWING HINGED 3/4 LITE FIBERGLASS PATIO DOOR
DOUBLE W/ SIDELITE
EXTERIOR VIEW**

DESIGN PRESSURE RATING	IMPACT RATING
±50PSF	NONE

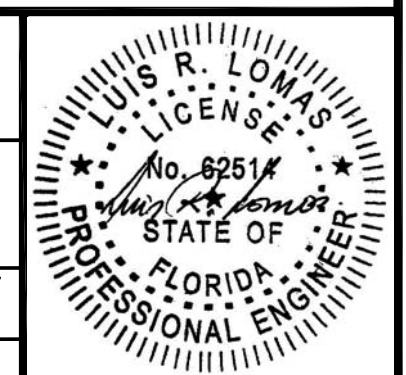
SIGNED: 11/06/2014

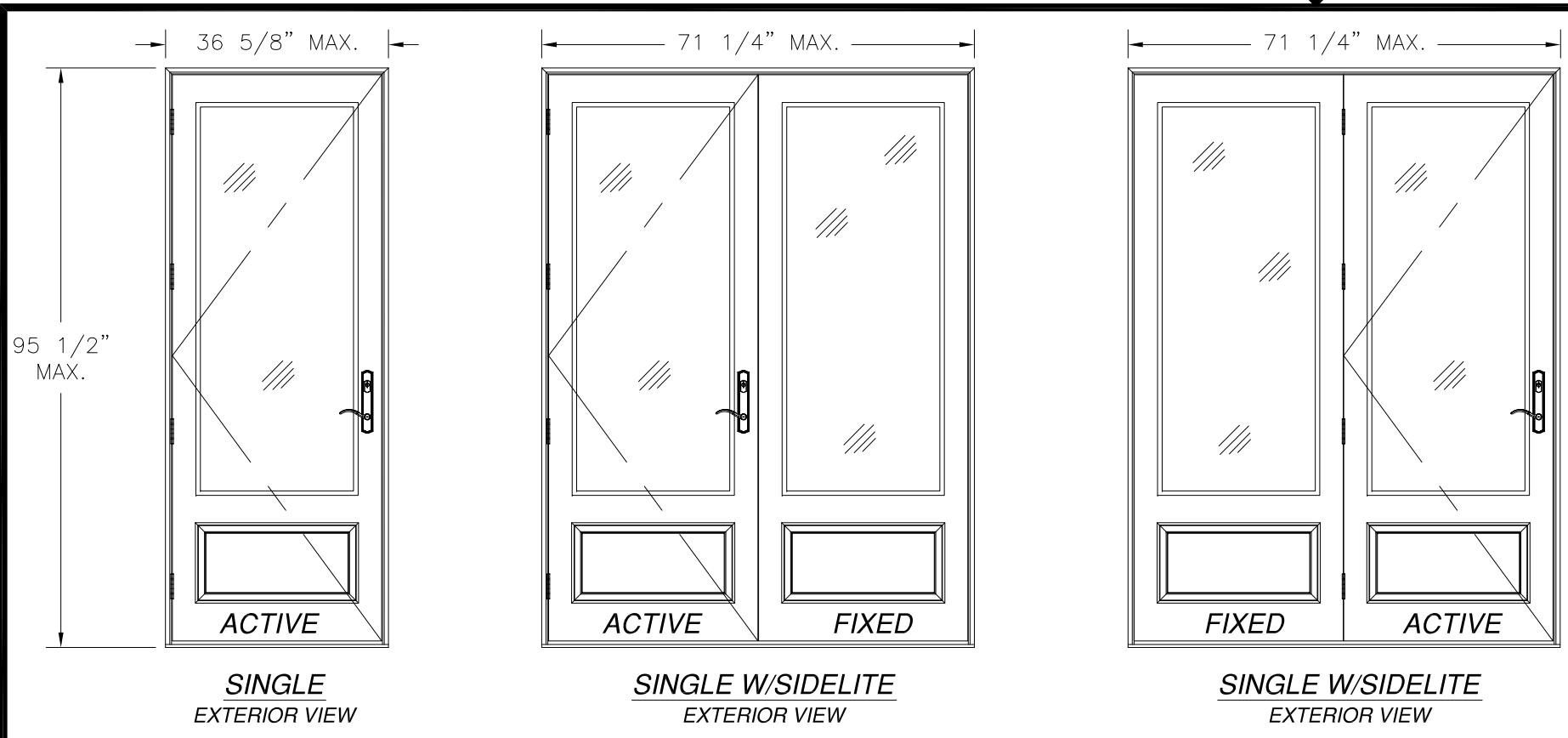
TABLE OF CONTENTS	
SHEET NO.	DESCRIPTION
1	ELEVATION AND NOTES
2	ADDITIONAL CONFIGURATIONS AND HARDWARE
3	ANCHORING LAYOUTS
4 - 6	INSTALLATION DETAILS

NAN YA PLASTICS CORP. USA
8989 NORTH LOOP EAST
HOUSTON, TX 77029

SERIES NAN YA 8'0 OUT-SWING HINGED 3/4 LITE FIBERGLASS PATIO DOOR W/ & W/O SIDELITES
OXX ELEVATION AND NOTES

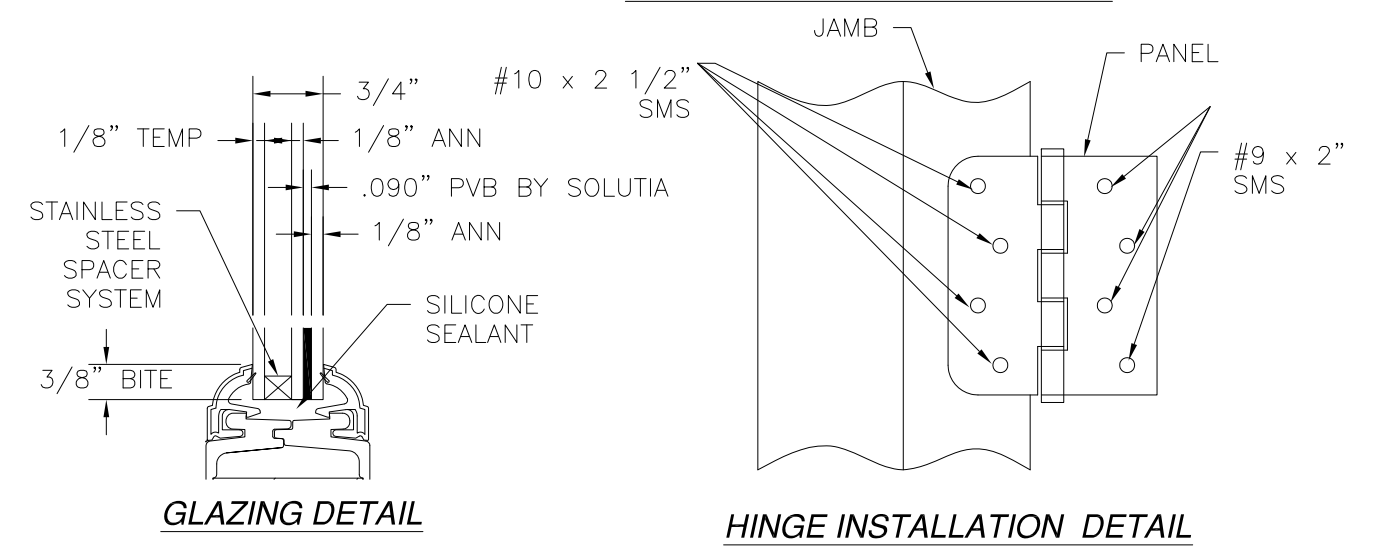
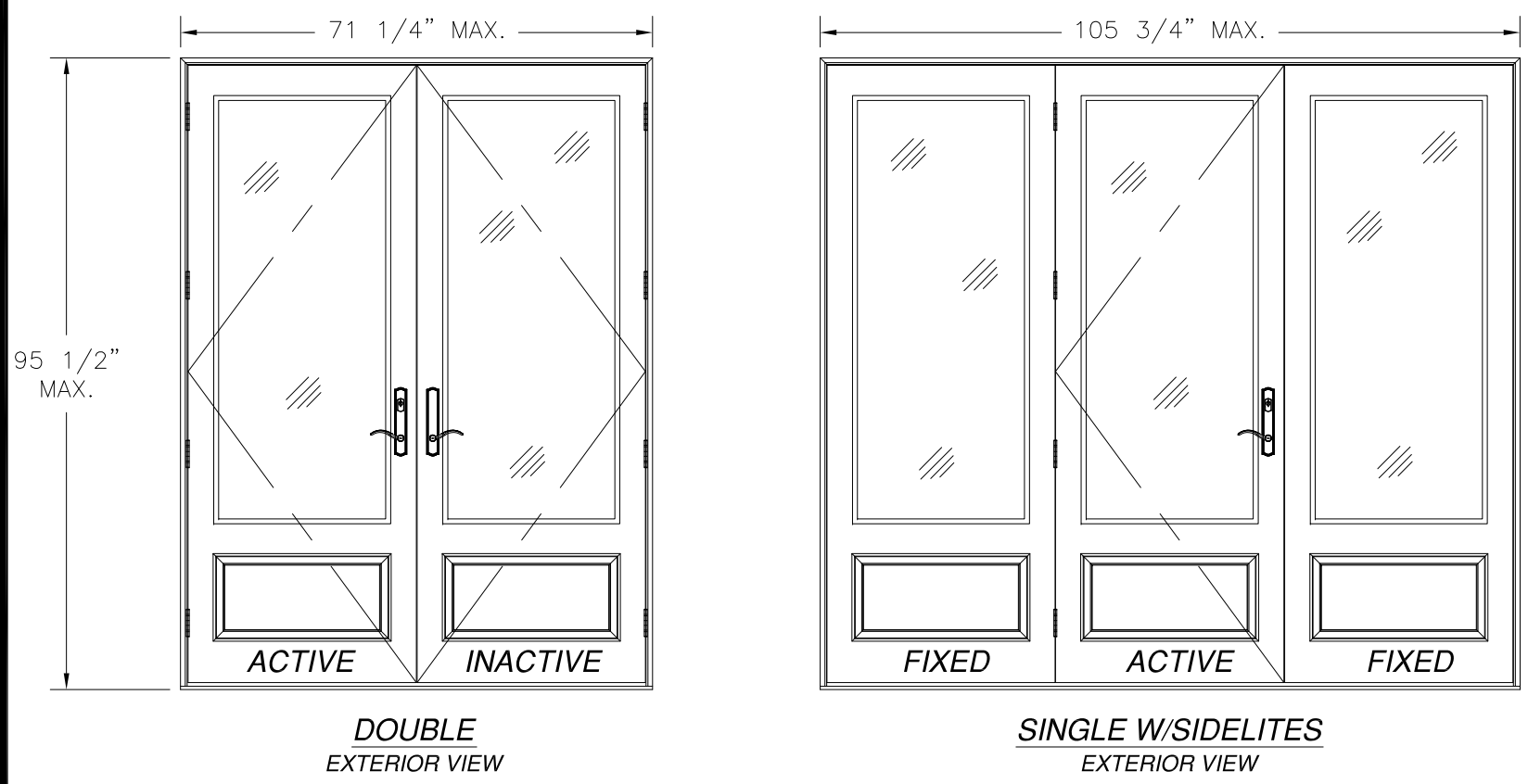
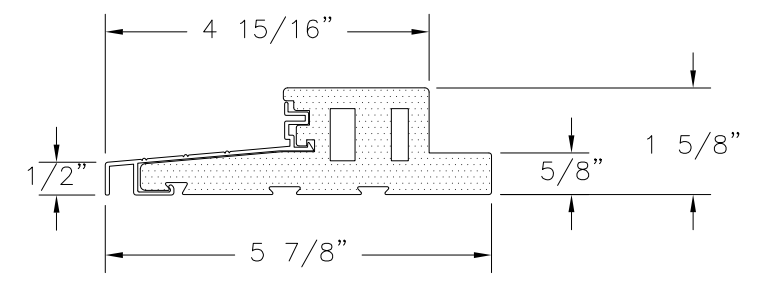
DRAWN: TJH	DWG NO. 08-00767	REV D
SCALE NTS	DATE 05/29/09	SHEET 1 OF 6





REVISIONS			
REV	DESCRIPTION	DATE	APPROVED
A	REVISED NOTES AND GLAZING DETAIL	03/12/12	R.L.
B	ADDED ANCHOR NOTE	05/29/12	R.L.
C	REVISED PER NEW CERTIFICATION	07/10/13	R.L.
D	ADDED EDGE DISTANCES	11/05/14	R.L.

HARDWARE SCHEDULE	
A.	3-POINT LOCK HANDLE ASSEMBLY NINGBO MICOTA LOCKS
B.	(4) 4" x 4" BUTT HINGES BY WENZHOU LONGTAI HINGES
C.	EXTRUDED ALUMINUM & PVC FOAM ASTRAGAL BY NAN YA PLASTICS
D.	EXTRUDED ALUMINUM & PVC FOAM MULLION BY NAN YA PLASTICS



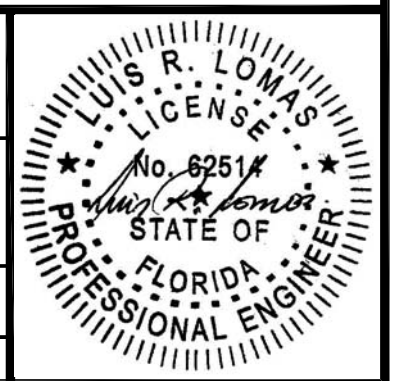
NOTE:
ALL APPROVED CONFIGURATIONS ARE SHOWN AS LEFT HAND ACTIVE, RIGHT HAND ACTIVE IS ALSO APPROVED.

SIGNED: 11/06/2014

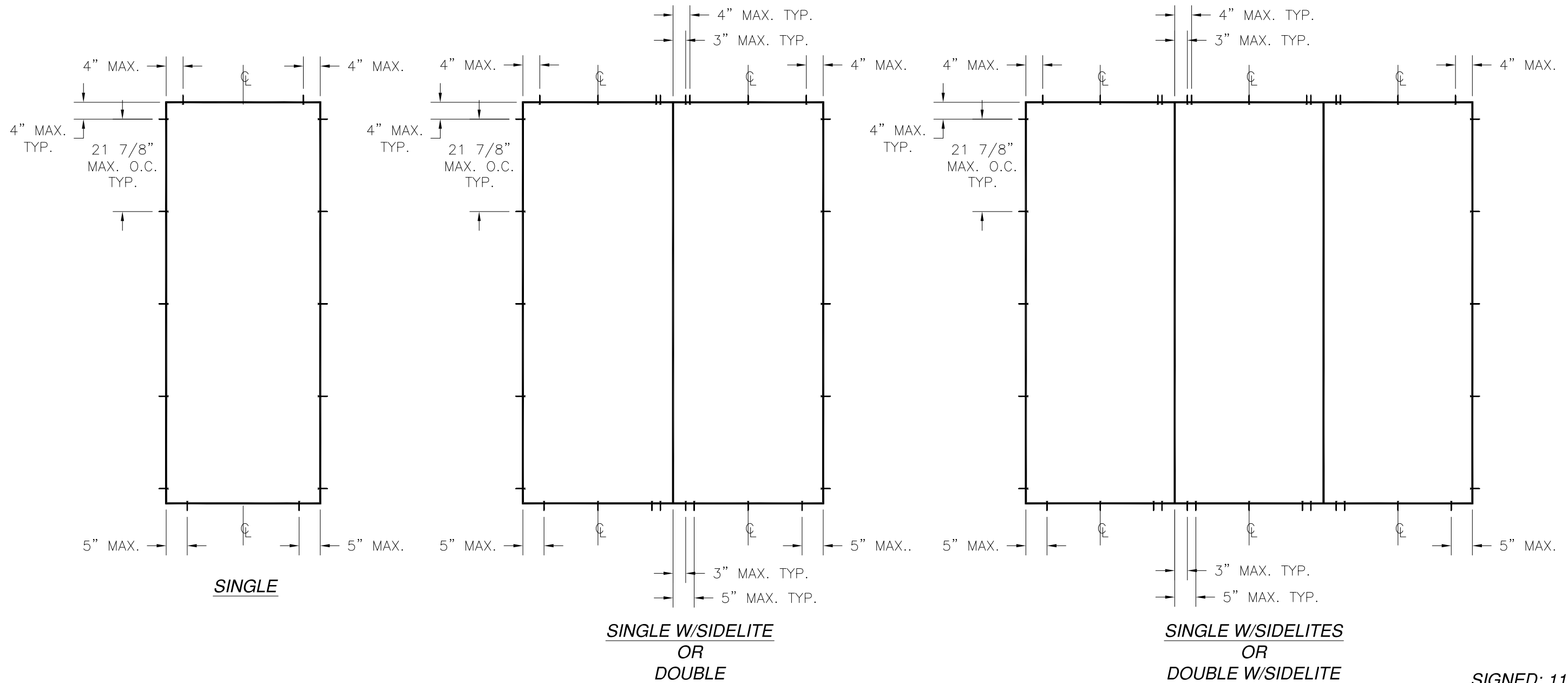
NAN YA PLASTICS CORP. USA
8989 NORTH LOOP EAST
HOUSTON, TX 77029

SERIES NAN YA 8'0 OUT-SWING HINGED 3/4 LITE FIBERGLASS PATIO DOOR W/ & W/O SIDELITES
ADDITIONAL CONFIGURATIONS AND HARDWARE

DRAWN: TJH	DWG NO. 08-00767	REV D
SCALE NTS	DATE 05/29/09	SHEET 2 OF 6



REVISIONS			
REV	DESCRIPTION	DATE	APPROVED
A	REVISED NOTES AND GLAZING DETAIL	03/12/12	R.L.
B	ADDED ANCHOR NOTE	05/29/12	R.L.
C	REVISED PER NEW CERTIFICATION	07/10/13	R.L.
D	ADDED EDGE DISTANCES	11/05/14	R.L.

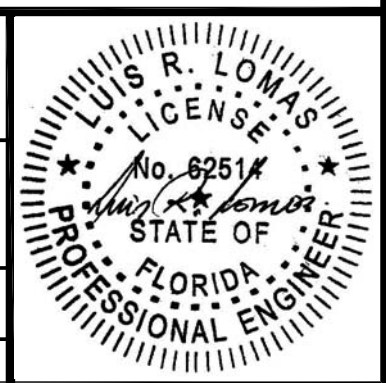


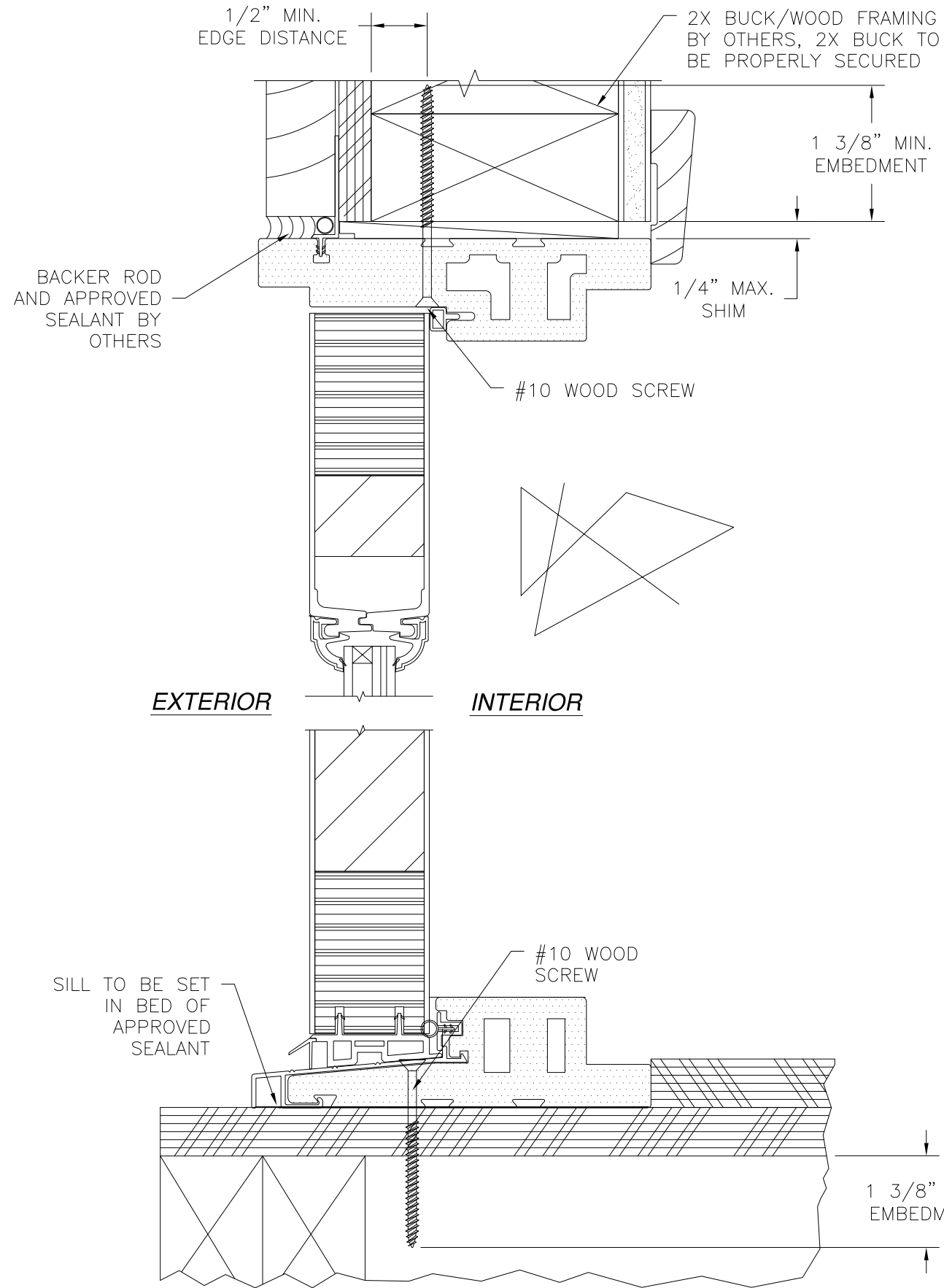
SIGNED: 11/06/2014

NAN YA PLASTICS CORP. USA
 8989 NORTH LOOP EAST
 HOUSTON, TX 77029

SERIES NAN YA 8'0 OUT-SWING HINGED 3/4 LITE
 FIBERGLASS PATIO DOOR W/ & W/O SIDELITES
 ANCHORING LAYOUTS

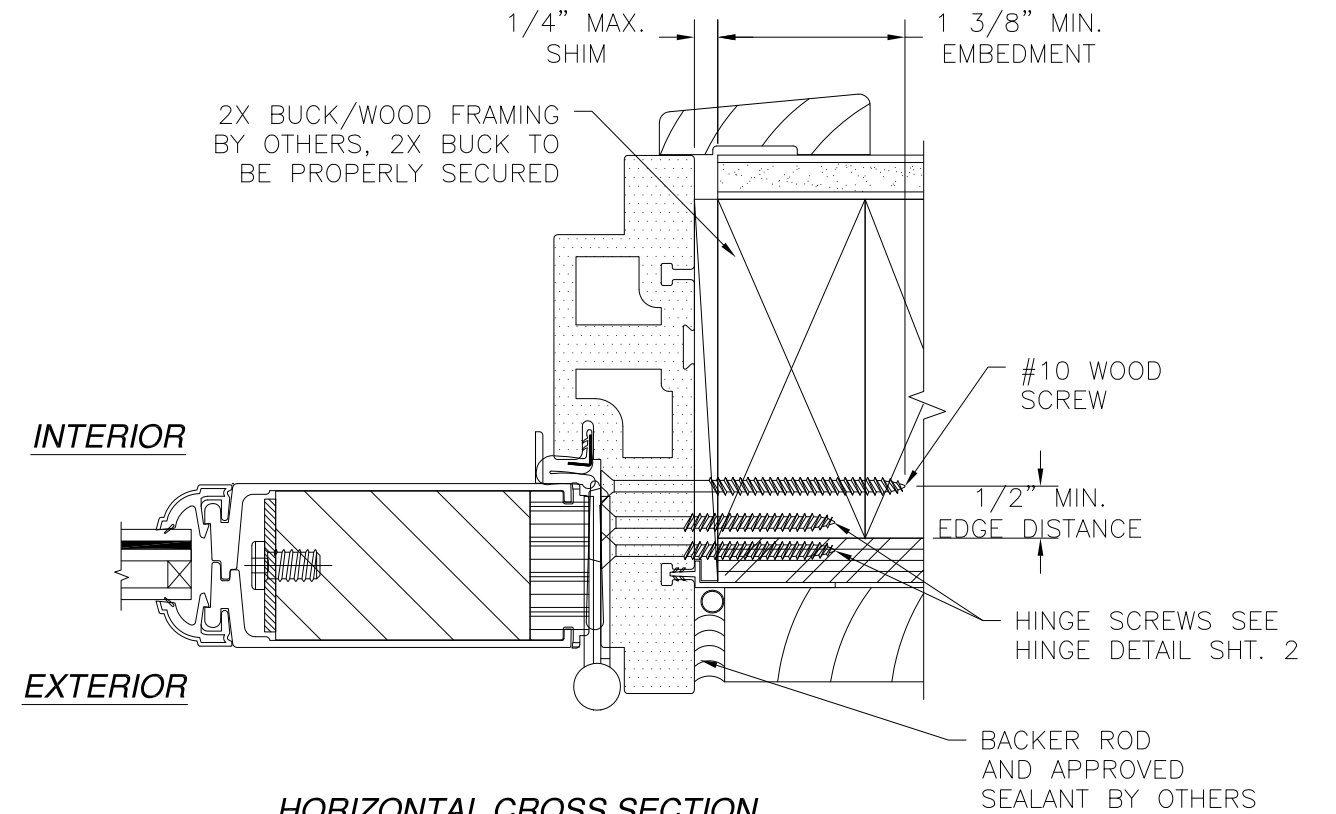
DRAWN: TJH	DWG NO. 08-00767	REV D
SCALE NTS	DATE 05/29/09	SHEET 3 OF 6





VERTICAL CROSS SECTION
DOOR SHOWN, SIDELITE SIMILAR
2X BUCK/WOOD FRAMING INSTALLATION

REVISIONS			
REV	DESCRIPTION	DATE	APPROVED
A	REVISED NOTES AND GLAZING DETAIL	03/12/12	R.L.
B	ADDED ANCHOR NOTE	05/29/12	R.L.
C	REVISED PER NEW CERTIFICATION	07/10/13	R.L.
D	ADDED EDGE DISTANCES	11/05/14	R.L.



HORIZONTAL CROSS SECTION
HINGE JAMB DETAIL
2X BUCK/WOOD FRAMING INSTALLATION

NOTE:
INTERIOR AND EXTERIOR FINISHES, BY OTHERS, NOT SHOWN FOR CLARITY.
ANCHORS MAY BE INSTALLED INSIDE OR OUTSIDE FRAME.

SIGNED: 11/06/2014

NAN YA PLASTICS CORP. USA
8989 NORTH LOOP EAST
HOUSTON, TX 77029

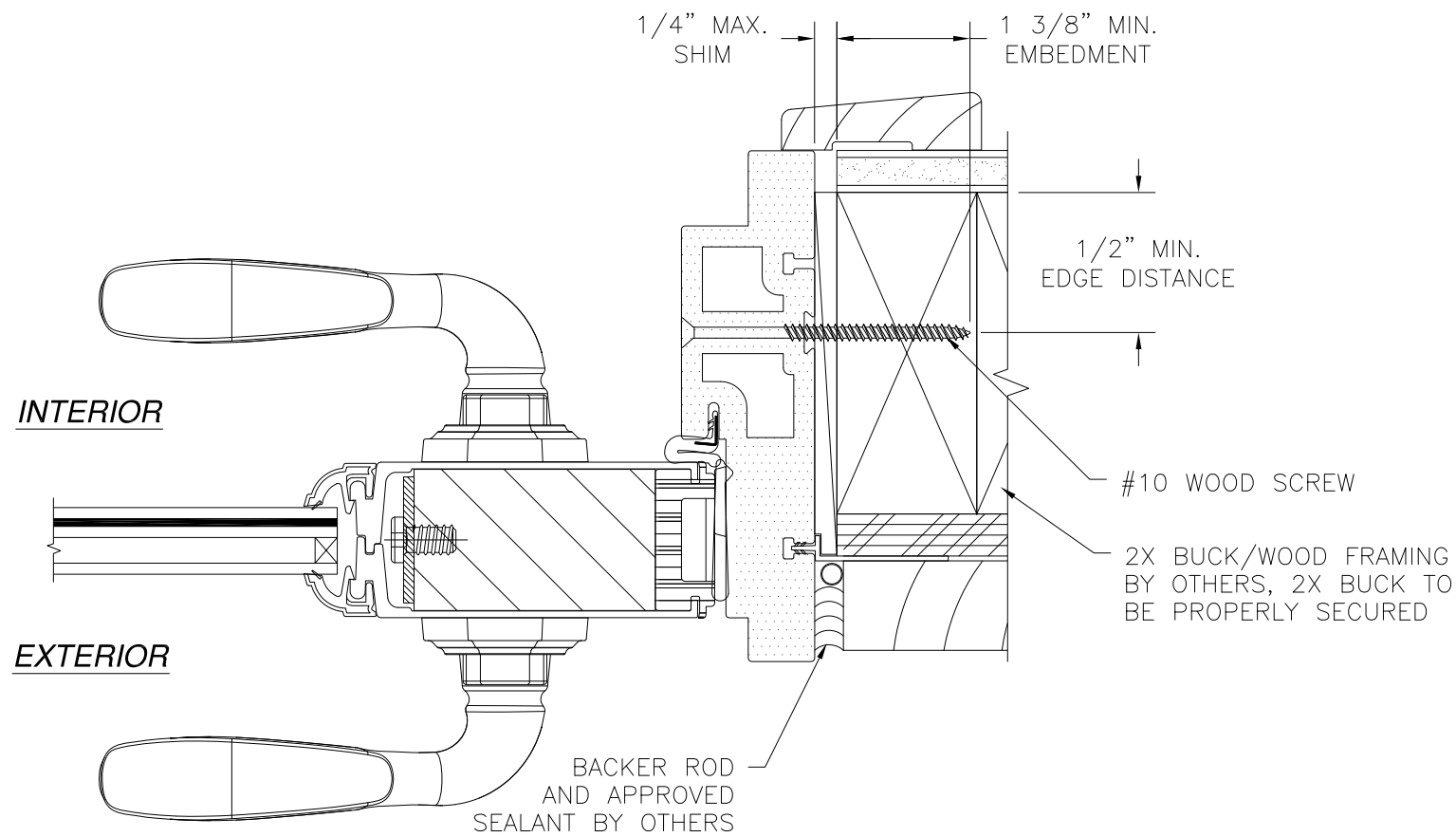
SERIES NAN YA 8'0 OUT-SWING HINGED 3/4 LITE FIBERGLASS PATIO DOOR W/ & W/O SIDELITES INSTALLATION DETAILS

DRAWN: TJH DWG NO. 08-00767 REV D

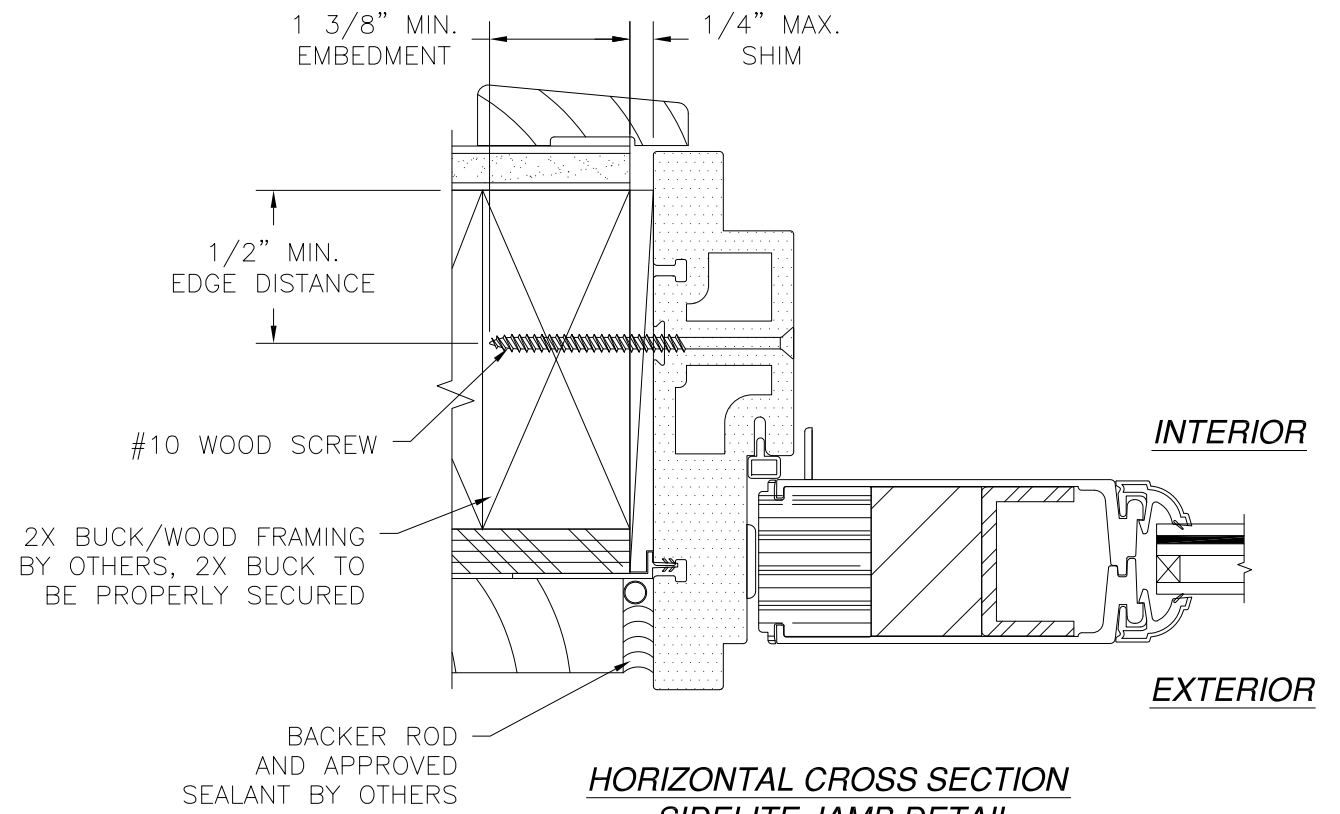
SCALE NTS DATE 05/29/09 SHEET 4 OF 6



REVISIONS			
REV	DESCRIPTION	DATE	APPROVED
A	REVISED NOTES AND GLAZING DETAIL	03/12/12	R.L.
B	ADDED ANCHOR NOTE	05/29/12	R.L.
C	REVISED PER NEW CERTIFICATION	07/10/13	R.L.
D	ADDED EDGE DISTANCES	11/05/14	R.L.



**HORIZONTAL CROSS SECTION
STRIKE JAMB DETAIL**
2X BUCK/WOOD FRAMING INSTALLATION

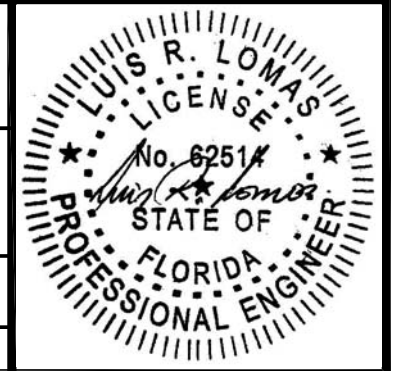


**HORIZONTAL CROSS SECTION
SIDELITE JAMB DETAIL**
2X BUCK/WOOD FRAMING INSTALLATION

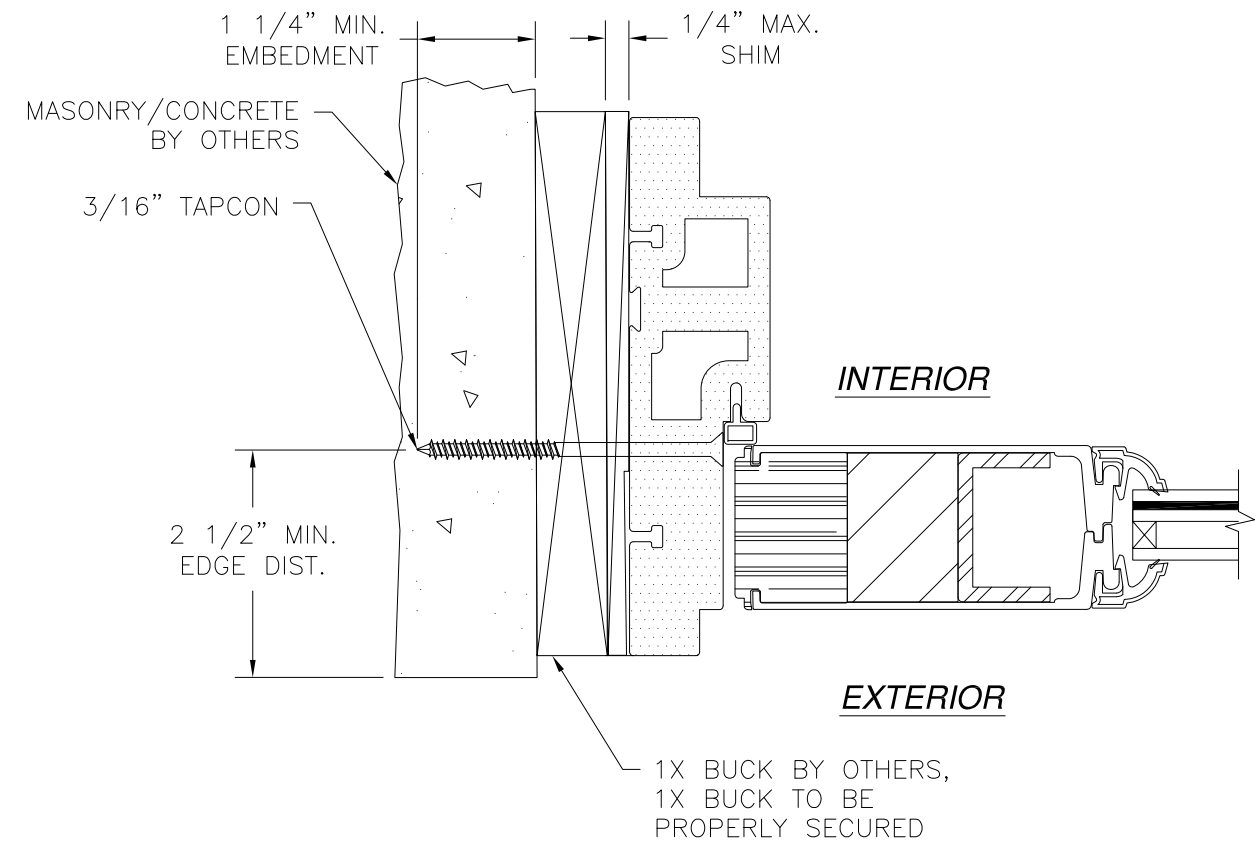
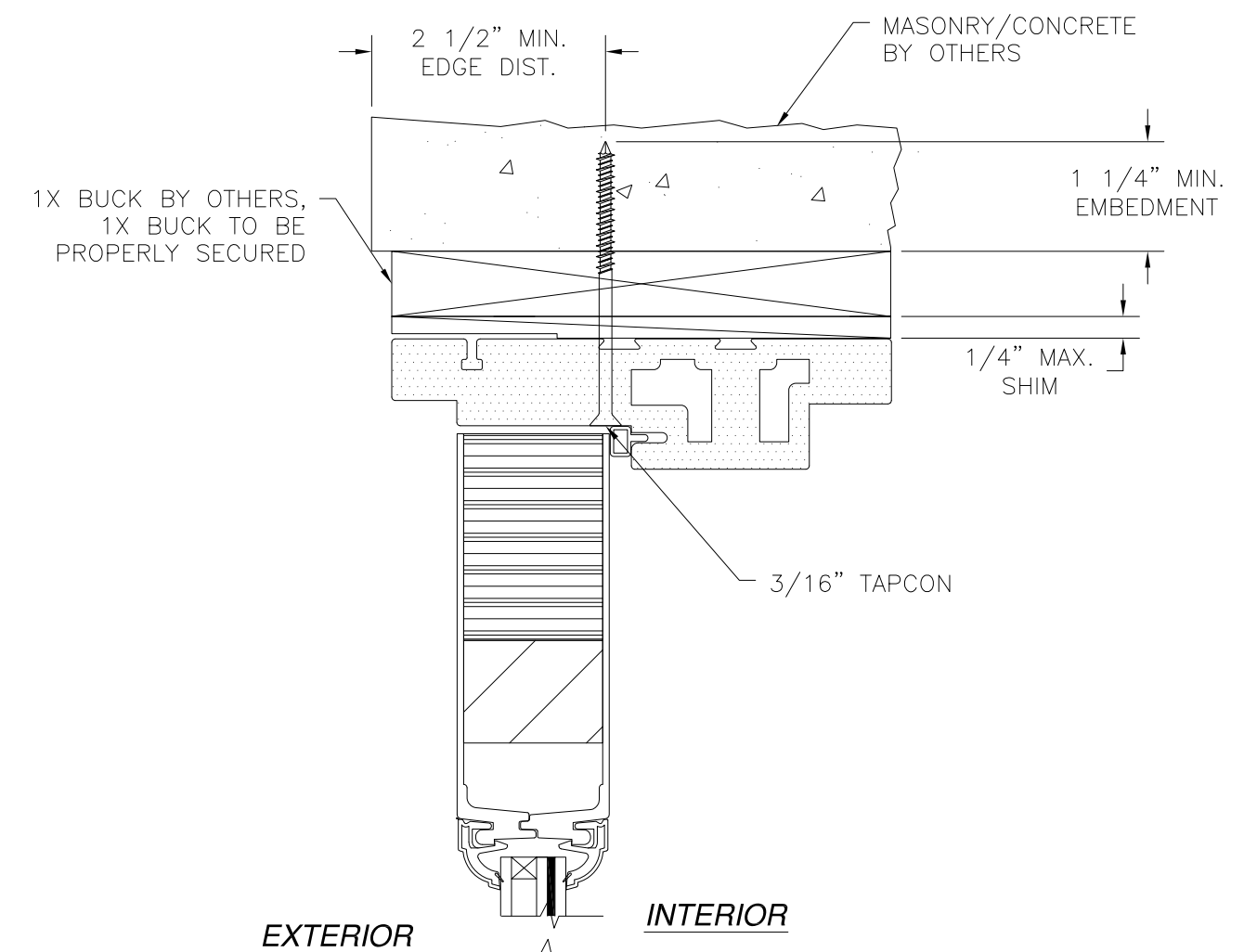
NOTE:
INTERIOR AND EXTERIOR FINISHES, BY OTHERS, NOT SHOWN FOR CLARITY.
ANCHORS MAY BE INSTALLED INSIDE OR OUTSIDE FRAME.

SIGNED: 11/06/2014

<p>NAN YA PLASTICS CORP. USA 8989 NORTH LOOP EAST HOUSTON, TX 77029</p>		
<p>SERIES NAN YA 8'0 OUT-SWING HINGED 3/4 LITE FIBERGLASS PATIO DOOR W/ & W/O SIDELITES INSTALLATION DETAILS</p>		
<p>DRAWN: TJH</p>	<p>DWG NO. 08-00767</p>	<p>REV D</p>
<p>SCALE NTS</p>	<p>DATE 05/29/09</p>	<p>SHEET 5 OF 6</p>

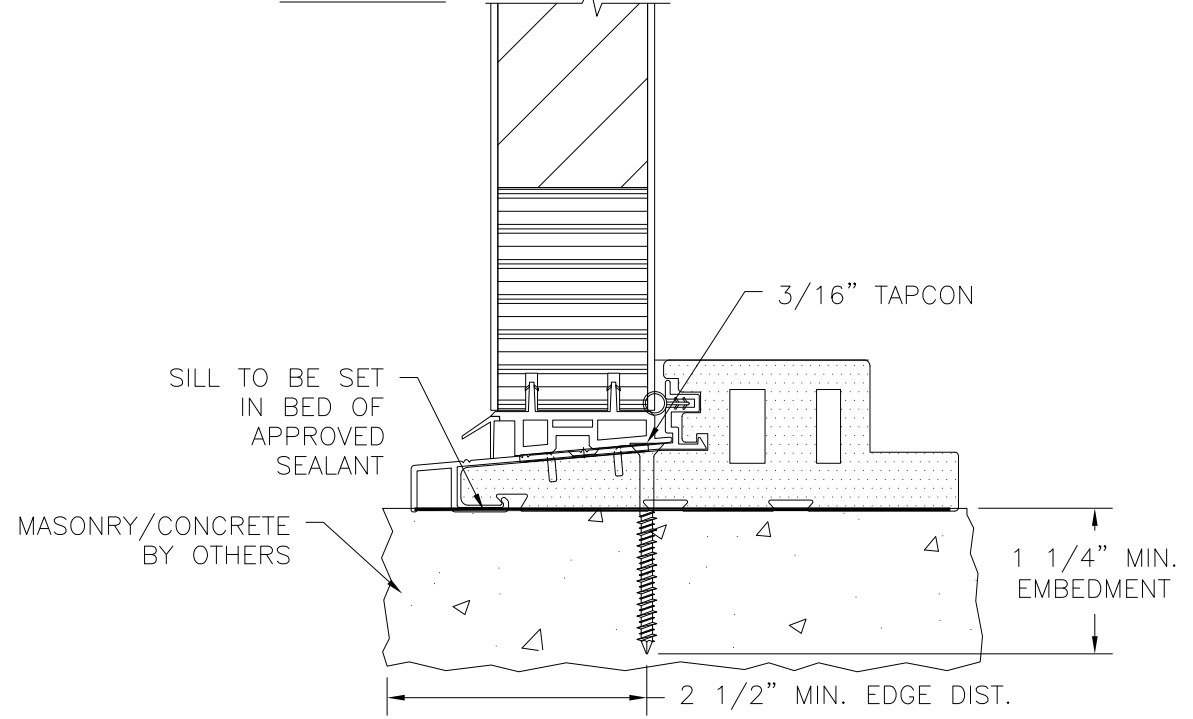


REVISIONS			
REV	DESCRIPTION	DATE	APPROVED
A	REVISED NOTES AND GLAZING DETAIL	03/12/12	R.L.
B	ADDED ANCHOR NOTE	05/29/12	R.L.
C	REVISED PER NEW CERTIFICATION	07/10/13	R.L.
D	ADDED EDGE DISTANCES	11/05/14	R.L.



MASONRY/CONCRETE INSTALLATION
DOOR JAMB SHOWN, SIDELITE JAMB SIMILAR

NOTE:
INTERIOR AND EXTERIOR FINISHES, BY OTHERS, NOT SHOWN FOR CLARITY.
ANCHORS MAY BE INSTALLED INSIDE OR OUTSIDE FRAME.



MASONRY/CONCRETE INSTALLATION
DOOR SHOWN, SIDELITE SIMILAR

SIGNED: 11/06/2014

NAN YA PLASTICS CORP. USA
8989 NORTH LOOP EAST
HOUSTON, TX 77029

SERIES NAN YA 8'0 OUT-SWING HINGED 3/4 LITE FIBERGLASS PATIO DOOR W/ & W/O SIDELITES INSTALLATION DETAILS

DRAWN: TJH	DWG NO. 08-00767	REV D
SCALE NTS	DATE 05/29/09	SHEET 6 OF 6

