

Florida Building Code Product Approval
FL14752.29-R3 Non-Impact 12'0" x 6'8" Outswing, .75 Lite DP50

FL #	FL14752-R3						
Application Type	Revision						
Code Version	2010						
Application Status	Approved						
	*Approved by DBPR. Approvals by DBPR shall be reviewed and ratified by the POC and/or the Commission if necessary.						
Comments							
Archived	<input type="checkbox"/>						
Product Manufacturer	Nan Ya Plastics Corporation USA						
Address/Phone/Email	8989 North Loop East Houston, TX 77029 (713) 674-7822 Ext 105 ajen96@yahoo.com.tw						
Authorized Signature	RUSKIN WU ajen96@yahoo.com.tw						
Technical Representative	Ruskin Wu						
Address/Phone/Email	8989 North Loop East Houston, TX 77029-1217 (713) 674-7822 Ext 105 ajen96@yahoo.com.tw						
Quality Assurance Representative							
Address/Phone/Email							
Category	Exterior Doors						
Subcategory	Swinging Exterior Door Assemblies						
Compliance Method	Certification Mark or Listing						
Certification Agency	National Accreditation & Management Institute						
Validated By	National Accreditation & Management Institute,						
Referenced Standard and Year (of Standard)	<table border="0"> <thead> <tr> <th><u>Standard</u></th> <th><u>Year</u></th> </tr> </thead> <tbody> <tr> <td>AAMA/NWWDA 101/I.S.2</td> <td>1997</td> </tr> <tr> <td>AAMA/WDMA</td> <td>2002</td> </tr> </tbody> </table>	<u>Standard</u>	<u>Year</u>	AAMA/NWWDA 101/I.S.2	1997	AAMA/WDMA	2002
<u>Standard</u>	<u>Year</u>						
AAMA/NWWDA 101/I.S.2	1997						
AAMA/WDMA	2002						

Florida Building Code Product Approval
FL14752.29-R3 Non-Impact 12'0" x 6'8" Outswing, .75 Lite DP50

	101/I.S.2/NAFS AAMA/WDMA/CSA 101/I.S.2/A440 ASTM E1886 ASTM E1886 ASTM E1996 ASTM E1996 ASTM E1996 ASTM E330	2008 2005 2002 2002 2006 2002
Equivalence of Product Standards Certified By		
Product Approval Method	Method 1 Option A	
Date Submitted	10/22/2014	
Date Validated	11/24/2014	
Date Pending FBC Approval		
Date Approved	11/25/2014	

14752.29	Series SLPS 6'11" Inswing 3/4 Lite Fiberglass Patio Door	Series SLPS 6'11" Inswing 3/4 Lite Fiberglass Patio Door - Impact
Limits of Use Approved for use in HVHZ: No Approved for use outside HVHZ: Yes Impact Resistant: Yes Design Pressure: +50/-50 Other:		Certification Agency Certificate FL14752_R3_C_CAC_NI011973-R1.pdf Quality Assurance Contract Expiration Date 03/31/2018 Installation Instructions FL14752_R3_II_08-02359A.pdf Verified By: Luis R. Lomas 62514 Created by Independent Third Party: Yes Evaluation Reports FL14752_R3_AE_513126A.pdf Created by Independent Third Party: Yes

NOTICE OF PRODUCT CERTIFICATION



CERTIFICATION NO: NI011973-R1
DATE: 05/16/2014
CERTIFICATION PROGRAM: Structural
COMPANY: Nan Ya Plastics
CODE: 661-1
REVISION DATE: 05/17/2014

To verify that the "Notice of Product Certification" is valid, please visit www.NAMICertification.com to assure that the product is active and currently listed. This certification represents product conformity to the applicable specification and that certification criteria has been satisfied. A NAMI approved certification label must be applied to the product to claim certification status. Please review and advise NAMI if any corrections are required to this document.

COMPANY NAME AND ADDRESS	PRODUCT DESCRIPTION
<p>Nan Ya Plastics Corporation U.S.A. 8989 North Loop East Houston, TX 77029</p>	<p style="text-align: center;">Series "SLPS"</p> <p style="text-align: center;">In-Swing 3/4 Lite Glazed Fiberglass Side-Hinged Patio Door (Impact)</p> <p style="text-align: center;">Configuration: OXX/O Glazing: IG-1/8" Tempered Glass/Laminate-1/8" Annealed Glass/DuPont PVB Interlayer/1/8" Annealed Glass</p> <p>Frame: W-3635mm(143.12") H-2096mm(82.50") Panel: W-876mm(34.50") H-2008mm(79.06") DLO: W-641mm(25.25") H-1200mm(47.25")</p>

SPECIFICATION	PRODUCT RATING
<p style="text-align: center;">AAMA/WDMA/CSA 101/I.S.2/A440-08 ASTM E1886-05/09/E1996-06/09</p>	<p style="text-align: center;">Class R-PG50 3635 x 2096 (143 x 82)-SHD Positive Design Pressure: 2400 Pa (50 psf) Negative Design Pressure: 2400 Pa (50 psf) Water Penetration Resistance Test Pressure: 360 Pa(7.5 psf) Wind Zone 4 - Missile Level D Qualified Configurations: O/X/OX/XO/OXO/XX/OXX/XXO/OXX/O/O/XXO/OXXO</p>

Product Tested By: National Certified Testing Laboratories
 Report No: NCTL-210-3934-01
 Expiration Date: **March 31, 2018**

Administrator's Signature: _____

NATIONAL ACCREDITATION AND
MANAGEMENT INSTITUTE, INC.
4794 George Washington Memorial Highway
Hayes, VA 23072
Tel: (804) 684-5124/Fax: (804) 684-5122

L. Roberto Lomas P.E.

233 W. Main St.
Danville, VA 24541
434-688-0609
rlomas@lrlomaspe.com

Engineering Evaluation Report

Report No.: 513126A

Manufacturer: Nan Ya Plastics Corporation
8989 North Loop East
Houston, TX 77029

Product Line: Series SLPS 6'11 In-swing 3/4 Lite Fiberglass Patio Door - Impact

Compliance:

The above mentioned product has been evaluated for compliance with the requirements of the Florida Department of Business and Professional Regulation for Statewide Acceptance per Rule 61G20-3.005 method 1(a). The product listed herein complies with requirements of the Florida Building Code.

Supporting Technical Documentation:

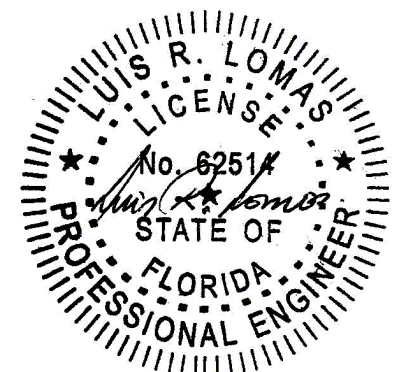
1. Approval document: drawing number 08-02359 Revision A, prepared, signed and sealed by Luis Roberto Lomas P.E.
2. Report No.: NCTL 210-3934-01 signed by Christopher Bennett
National Certified Testing Laboratories, Orlando, FL
AAMA/WDMA/CSA 101/I.S.2/A440-08
Design pressure: ± 50.0 psf
Water penetration resistance 7.5psf
ASTM E1886-05/09 and ASTM E1996-06/09
ASTM E1886/E1996 Large Missile Impact, Level D, Wind Zone 4
ASTM E1886/E1996 Cyclic Load Test ± 50.0 psf
3. Anchor calculations, report number 513126-1, prepared, signed and sealed by Luis Roberto Lomas P.E.

Limitations and Conditions of use:

- Maximum design pressure: ± 50.0 psf
- Maximum unit size: 143 1/8" x 82 1/2"
- Units must be glazed per ASTM E1300-04, see installation instructions for glass options.
- This product is not rated to be used in the HVHZ.
- This product is impact resistant and does not require impact protection in wind borne debris regions.

Installation: Units must be installed in accordance with approval document, 08-02359 Revision A.

Certification of Independence: Please note that I don't have nor will acquire a financial interest in any company manufacturing or distributing the product(s) for which this report is being issued. Also, I don't have nor will acquire a financial interest in any other entity involved in the approval process of the listed product(s).



REVISIONS			
REV	DESCRIPTION	DATE	APPROVED
A	ADDED EDGE DISTANCES	11/06/14	R.L.

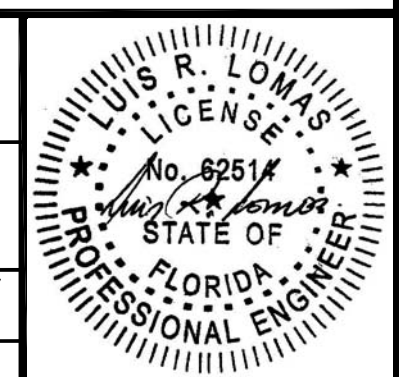
NOTES:

1. THE PRODUCT SHOWN HEREIN IS DESIGNED AND MANUFACTURED TO COMPLY WITH REQUIREMENTS OF THE FLORIDA BUILDING CODE.
2. WOOD FRAMING AND MASONRY OPENING TO BE DESIGNED AND ANCHORED TO PROPERLY TRANSFER ALL LOADS TO STRUCTURE. FRAMING AND MASONRY OPENING IS THE RESPONSIBILITY OF THE ARCHITECT OR ENGINEER OF RECORD.
3. 1X BUCK OVER MASONRY/CONCRETE IS OPTIONAL.
4. WHERE SHIM OR BUCK THICKNESS IS LESS THAN 1-1/2" WINDOW UNITS MUST BE ANCHORED THROUGH THE FRAME IN ACCORDANCE WITH MANUFACTURER'S PUBLISHED INSTALLATION INSTRUCTIONS. ANCHORS SHALL BE SECURELY FASTENED DIRECTLY INTO MASONRY, CONCRETE OR OTHER STRUCTURAL SUBSTRATE MATERIAL.
5. WHERE WOOD BUCK THICKNESS IS 1-1/2" OR GREATER, BUCK SHALL BE SECURELY FASTENED TO MASONRY, CONCRETE OR OTHER STRUCTURAL SUBSTRATE. WINDOW UNITS MAY BE ANCHORED THROUGH FRAME TO SECURED WOOD BUCK IN ACCORDANCE WITH MANUFACTURER'S PUBLISHED INSTALLATION INSTRUCTIONS.
6. WHERE 1X BUCK IS NOT USED DISSIMILAR MATERIALS MUST BE SEPARATED WITH APPROVED COATING OR MEMBRANE. SELECTION OF COATING OR MEMBRANE IS THE RESPONSIBILITY OF THE ARCHITECT OR ENGINEER OF RECORD.
7. BUCKS SHALL EXTEND BEYOND WINDOW INTERIOR FACE SO THAT FULL FRAME SUPPORT IS PROVIDED.
8. FOR FIN INSTALLATION SHIM AS NEEDED. FOR FRAME INSTALLATION SHIM AS REQUIRED AT EACH ANCHOR LOCATION WITH LOAD BEARING SHIM. SHIM WHERE SPACE OF 1/16" OR GREATER OCCURS. MAXIMUM ALLOWABLE SHIM STACK TO BE 1/4".
9. SHIMS SHALL BE LOCATED, APPLIED AND MADE FROM MATERIALS AND THICKNESS CAPABLE OF SUSTAINING APPLICABLE LOADS.
10. WIND LOAD DURATION FACTOR Cd=1.6 WAS USED FOR WOOD ANCHOR CALCULATIONS.
11. FRAME MATERIAL: CO-EXTRUDED PVC FOAM.
12. UNITS MUST BE GLAZED PER ASTM E1300-04, SEE SHEET 6 FOR GLASS OPTIONS.
13. APPROVED IMPACT PROTECTIVE SYSTEM IS NOT REQUIRED FOR THIS PRODUCT IN WIND BORNE DEBRIS REGIONS.
14. FOR ANCHORING INTO WOOD FRAMING OR 2X BUCK USE #10 WOOD SCREWS WITH SUFFICIENT LENGTH TO ACHIEVE A 1 1/4" MINIMUM EMBEDMENT INTO SUBSTRATE. LOCATE ANCHORS AS SHOWN IN ELEVATIONS AND INSTALLATION DETAILS.
15. FOR ANCHORING INTO MASONRY/CONCRETE USE 3/16" TAPCONS WITH SUFFICIENT LENGTH TO ACHIEVE A 1 1/4" MINIMUM EMBEDMENT INTO SUBSTRATE WITH 2 1/2" MINIMUM EDGE DISTANCE. LOCATE ANCHORS AS SHOWN IN ELEVATIONS AND INSTALLATION DETAILS.
16. FOR ANCHORING INTO METAL STRUCTURE USE #10 SMS OR SELF DRILLING SCREWS WITH SUFFICIENT LENGTH TO ACHIEVE 3 THREADS MINIMUM BEYOND STRUCTURE INTERIOR WALL. LOCATE ANCHORS AS SHOWN IN ELEVATIONS AND INSTALLATION DETAILS.
17. ALL FASTENERS TO BE CORROSION RESISTANT.
18. INSTALLATION ANCHORS SHALL BE INSTALLED IN ACCORDANCE WITH ANCHOR MANUFACTURER'S INSTALLATION INSTRUCTIONS AND ANCHORS SHALL NOT BE USED IN SUBSTRATES WITH STRENGTHS LESS THAN THE MINIMUM STRENGTH SPECIFIED BELOW:
 - A. WOOD - MINIMUM SPECIFIC GRAVITY OF G=0.42
 - B. CONCRETE - MINIMUM COMPRESSIVE STRENGTH OF 3,192 PSI.
 - C. MASONRY - STRENGTH CONFORMANCE TO ASTM C-90, GRADE N, TYPE 1 (OR GREATER).
 - D. METAL STRUCTURE: STEEL 18GA, 33KSI OR ALUMINUM 6063-T5 1/8" THICK MINIMUM
19. APPROVED CONFIGURATIONS: X, OX, XO, X/O, O/X, XX, OXX, XXO, O/XX, XX/O, OXO, O/XO, OX/O, O/XXO, OXX/O AND OXXO, SEE SHEET 3.
20. MAXIMUM PANEL SIZE: 34 1/2" X 79 1/16"
21. SIDELITES ARE ASSEMBLED TO FRAME WITH #10X2 1/2" WOOD SCREWS LOCATED 4" FROM EACH END AND 26 7/8" MAX O.C. THEREAFTER AT JAMBS AND 4" FROM EACH END AND ONE AT MIDSPAN AT HEAD AND SILL.

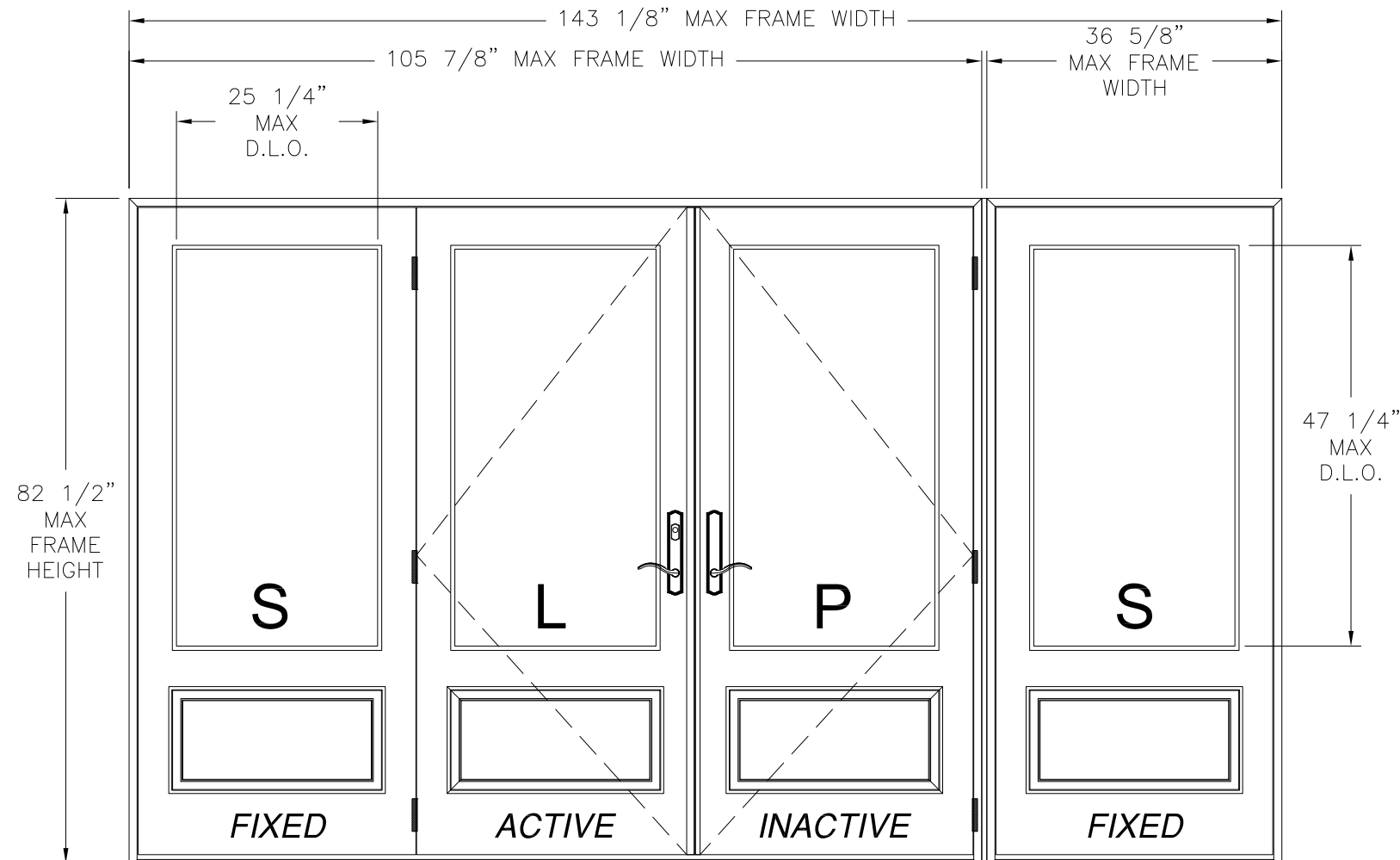
SIGNED: 11/06/2014

TABLE OF CONTENTS	
SHEET NO.	DESCRIPTION
1	NOTES
2	ELEVATION
3	APPROVED CONFIGURATIONS
4 - 5	ANCHORING LAYOUTS
6 - 9	INSTALLATION DETAILS

NAN YA PLASTICS CORP. USA 8989 NORTH LOOP EAST HOUSTON, TX 77029		
SERIES SLPS 6'11" INSWING 3/4 LITE PATIO DOOR IMPACT NOTES		
DRAWN: V.L.	DWG NO. 08-02359	REV A
SCALE NTS	DATE 05/27/14	SHEET 1 OF 10



REVISIONS			
REV	DESCRIPTION	DATE	APPROVED
A	ADDED EDGE DISTANCES	11/06/14	R.L.



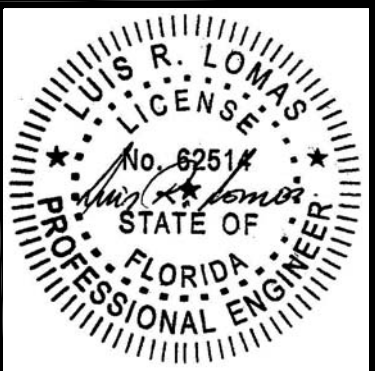
SLPS 6'11" INSWING 3/4 LITE PATIO DOOR
EXTERIOR VIEW

DESIGN LOAD RATING	IMPACT RATING
±50.0PSF	LARGE AND SMALL MISSILE IMPACT

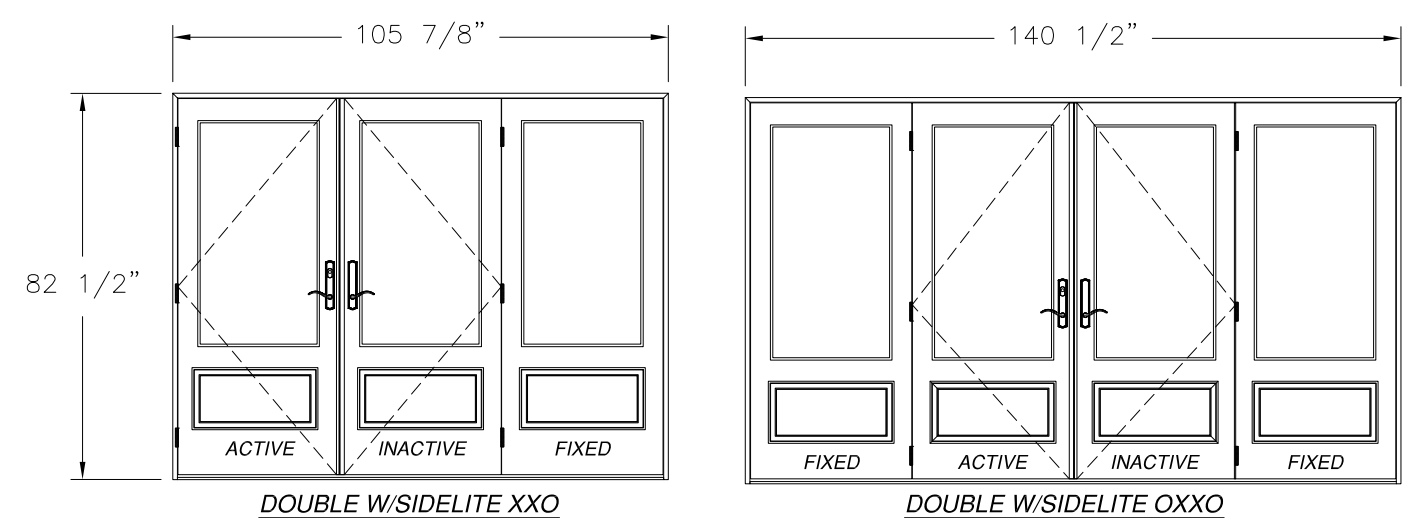
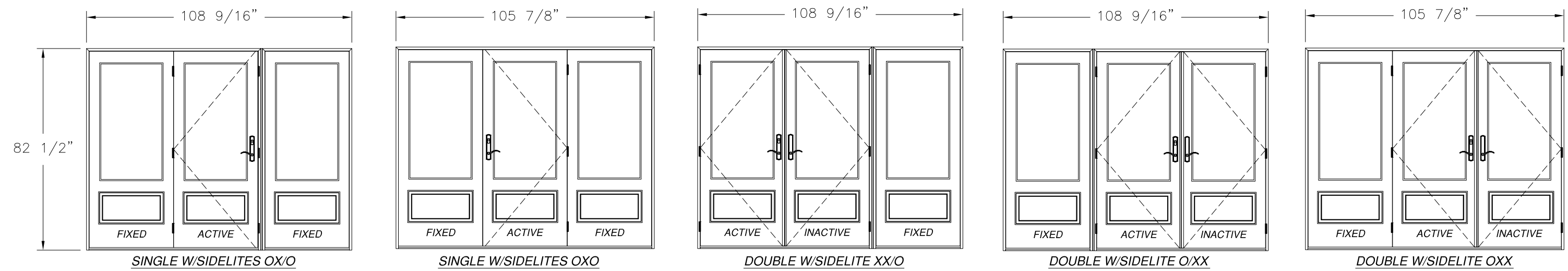
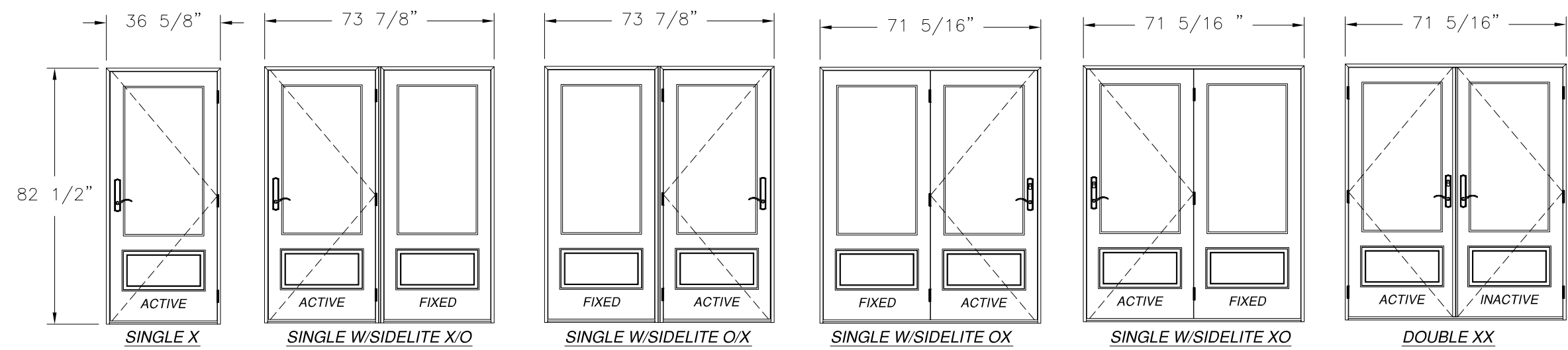
MISSILE LEVEL D, WIND ZONE 4

SIGNED: 11/06/2014

<p>NAN YA PLASTICS CORP. USA 8989 NORTH LOOP EAST HOUSTON, TX 77029</p>		
<p>SERIES SLPS 6'11" INSWING 3/4 LITE PATIO DOOR IMPACT OXX/O ELEVATION</p>		
<p>DRAWN: V.L.</p>	<p>DWG NO. 08-02359</p>	<p>REV A</p>
<p>SCALE NTS</p>	<p>DATE 05/27/14</p>	<p>SHEET 2 of 10</p>



REVISIONS			
REV	DESCRIPTION	DATE	APPROVED
A	ADDED EDGE DISTANCES	11/06/14	R.L.

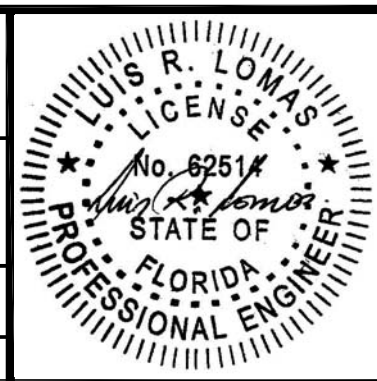


SIGNED: 11/06/2014

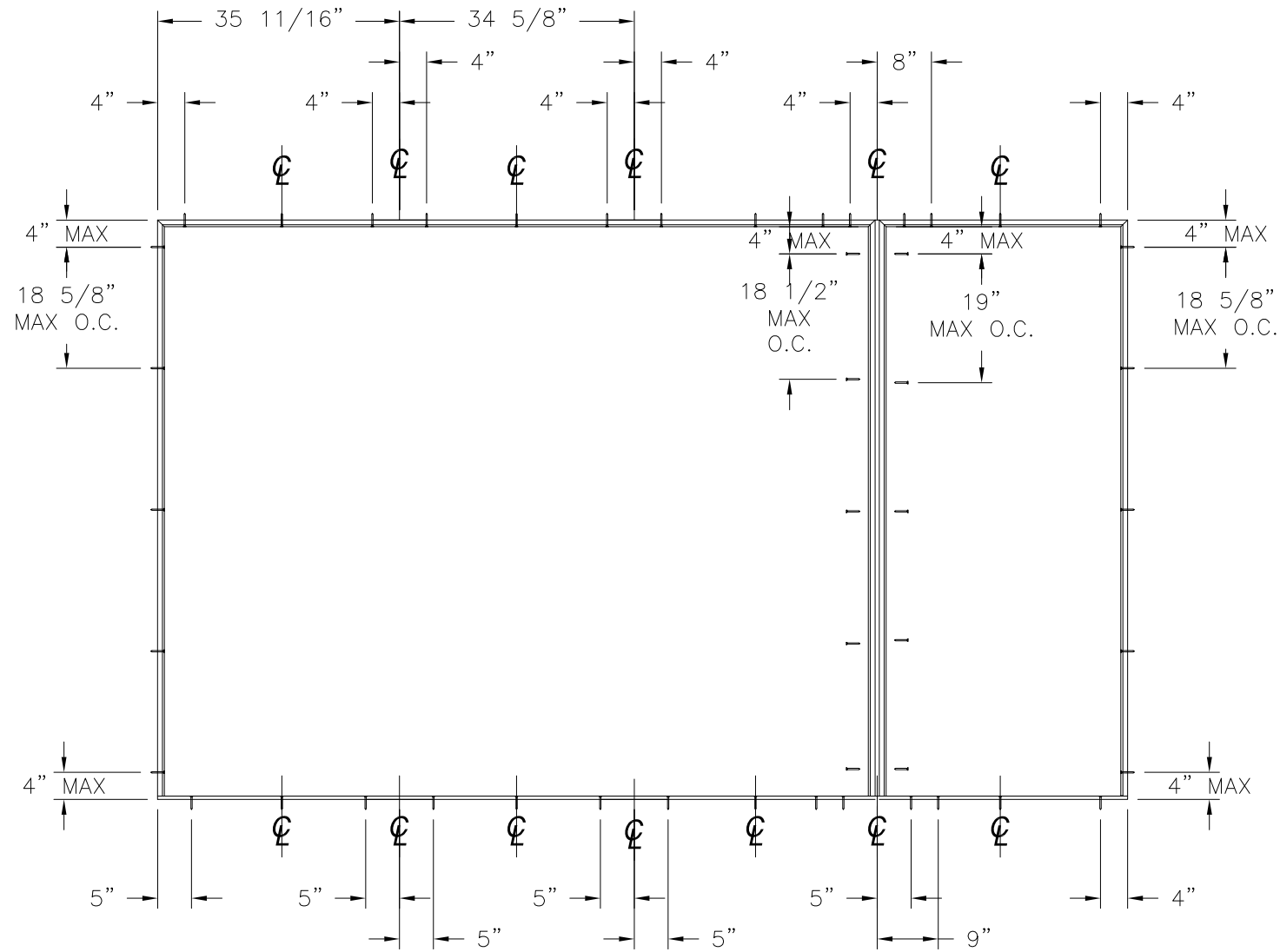
NAN YA PLASTICS CORP. USA
 8989 NORTH LOOP EAST
 HOUSTON, TX 77029

SERIES SLPS 6'11" INSWING
 3/4 LITE PATIO DOOR IMPACT
 ADDITIONAL APPROVED CONFIGURATIONS

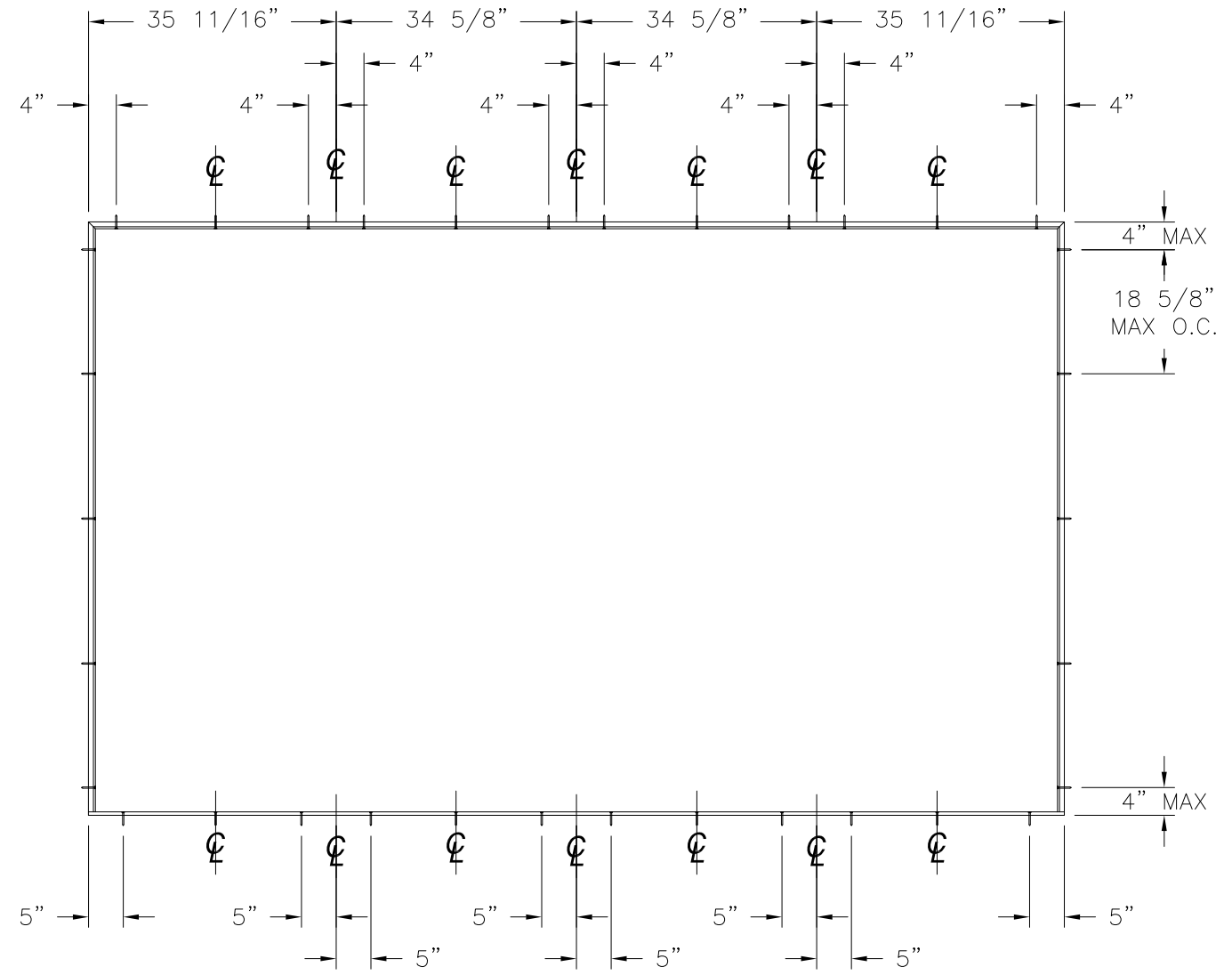
DRAWN: V.L.	DWG NO. 08-02359	REV A
SCALE NTS	DATE 05/27/14	SHEET 3 of 10



REVISIONS			
REV	DESCRIPTION	DATE	APPROVED
A	ADDED EDGE DISTANCES	11/06/14	R.L.



ANCHORING LAYOUT FOR O/XXO, OXX/O

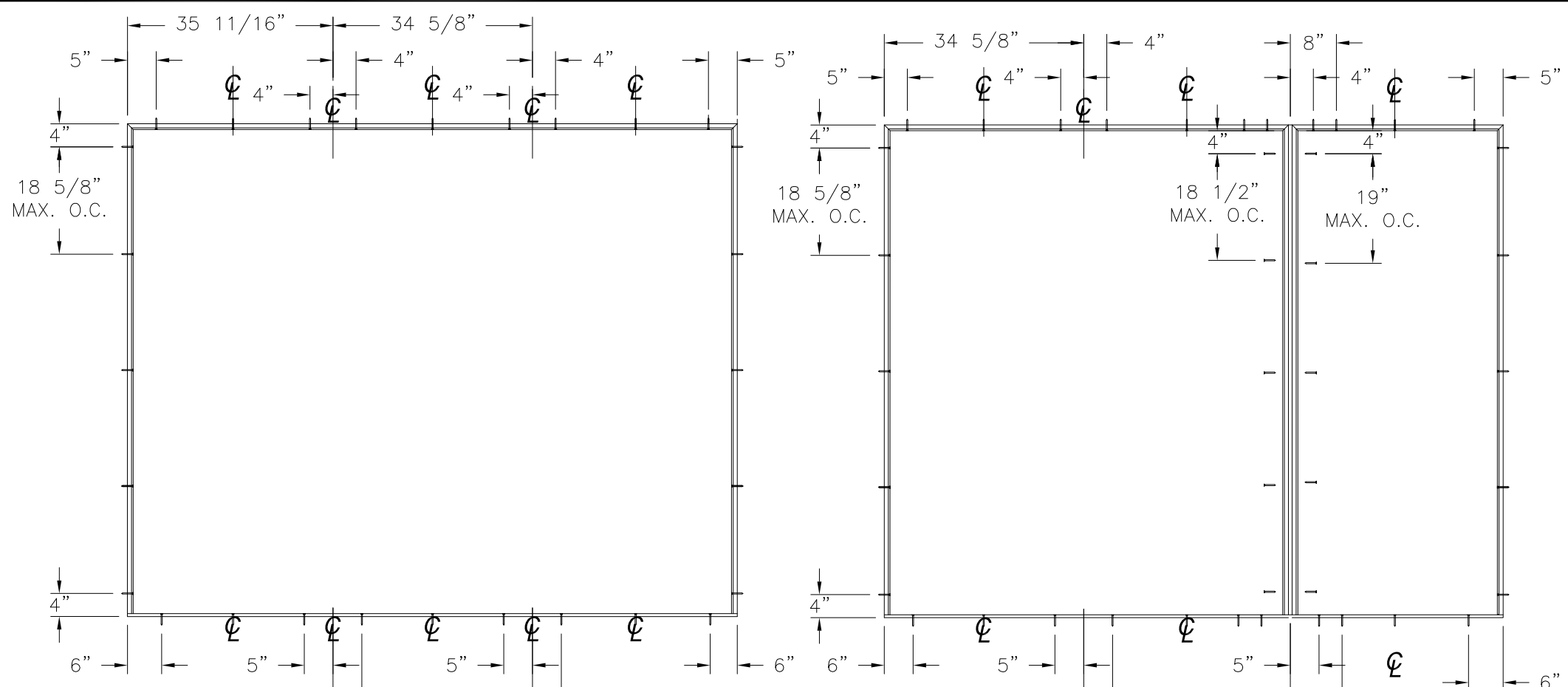


ANCHORING LAYOUT FOR OXXO

SIGNED: 11/06/2014

<p>NAN YA PLASTICS CORP. USA 8989 NORTH LOOP EAST HOUSTON, TX 77029</p>		
<p>SERIES SLPS 6'11" INSWING 3/4 LITE PATIO DOOR IMPACT ANCHORING LAYOUT</p>		
<p>DRAWN: V.L.</p>	<p>DWG NO. 08-02359</p>	<p>REV A</p>
<p>SCALE NTS</p>	<p>DATE 05/27/14</p>	<p>SHEET 4 of 10</p>

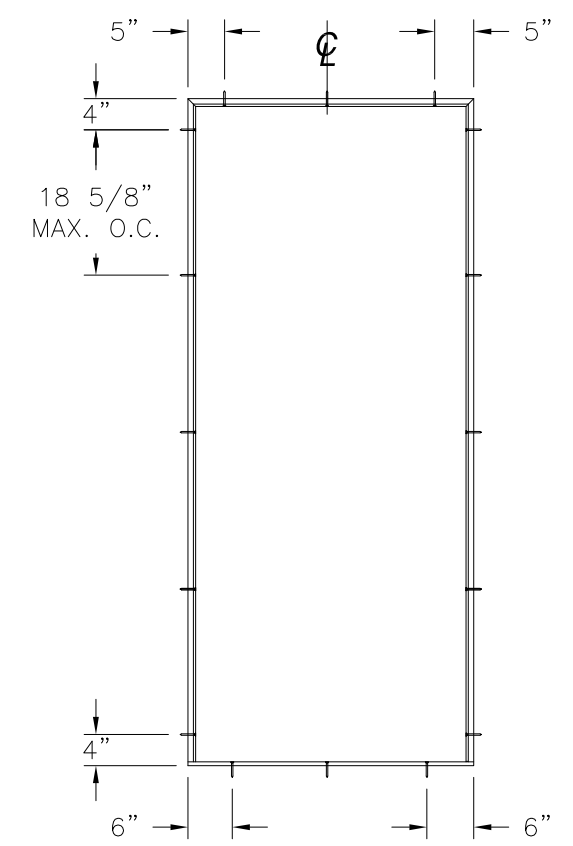




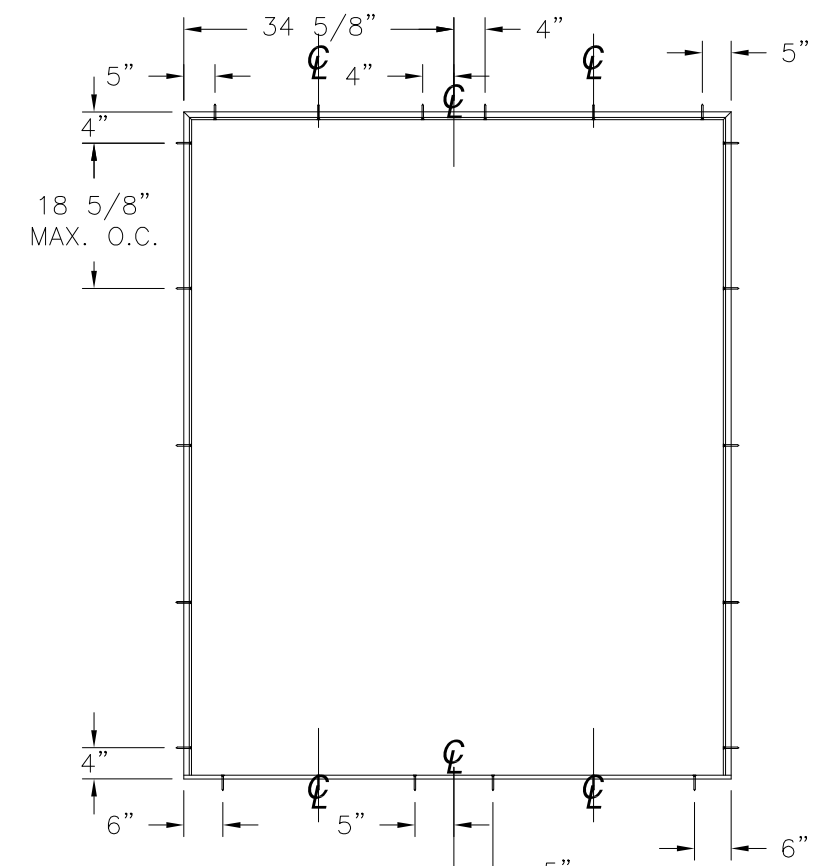
ANCHORING LAYOUT FOR OXO, XXO AND OXX

ANCHORING LAYOUT FOR OX/O, O/XO, XX/O AND O/XX

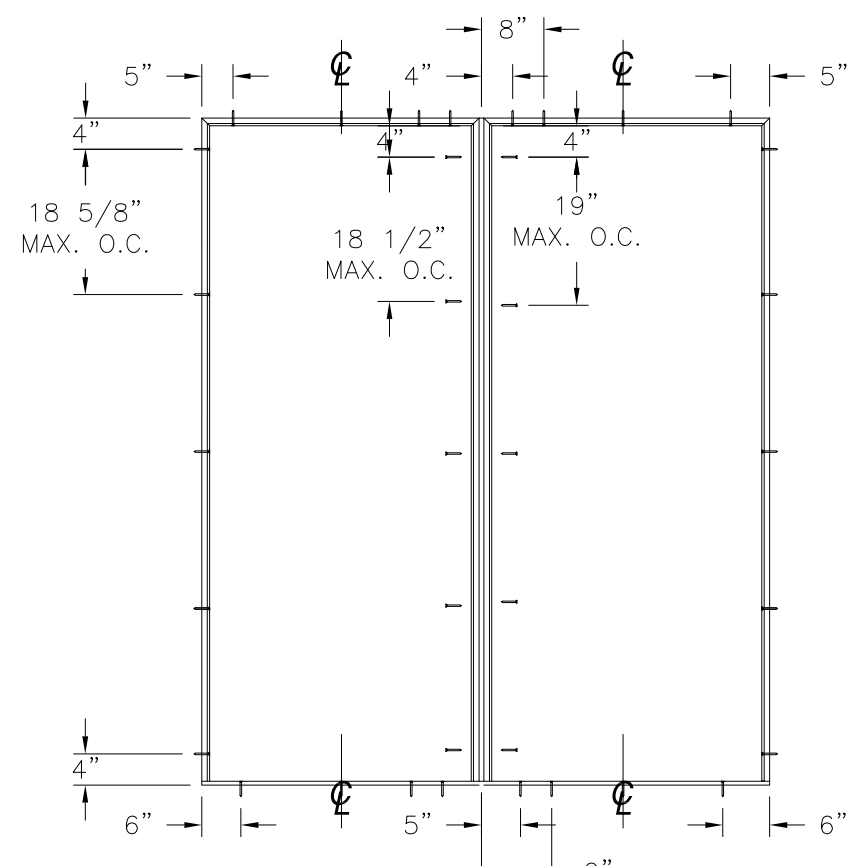
REVISIONS			
REV	DESCRIPTION	DATE	APPROVED
A	ADDED EDGE DISTANCES	11/06/14	R.L.



ANCHORING LAYOUT FOR X



ANCHORING LAYOUT FOR XX, OX AND XO



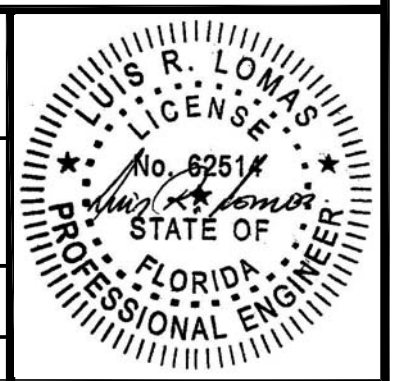
ANCHORING LAYOUT FOR O/X AND X/O

SIGNED: 11/06/2014

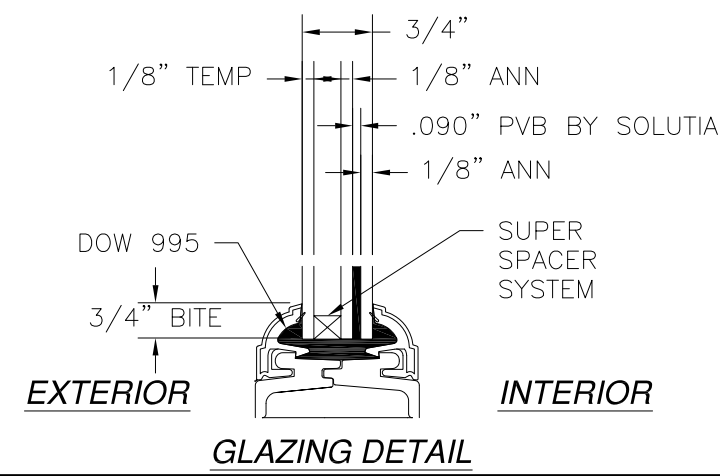
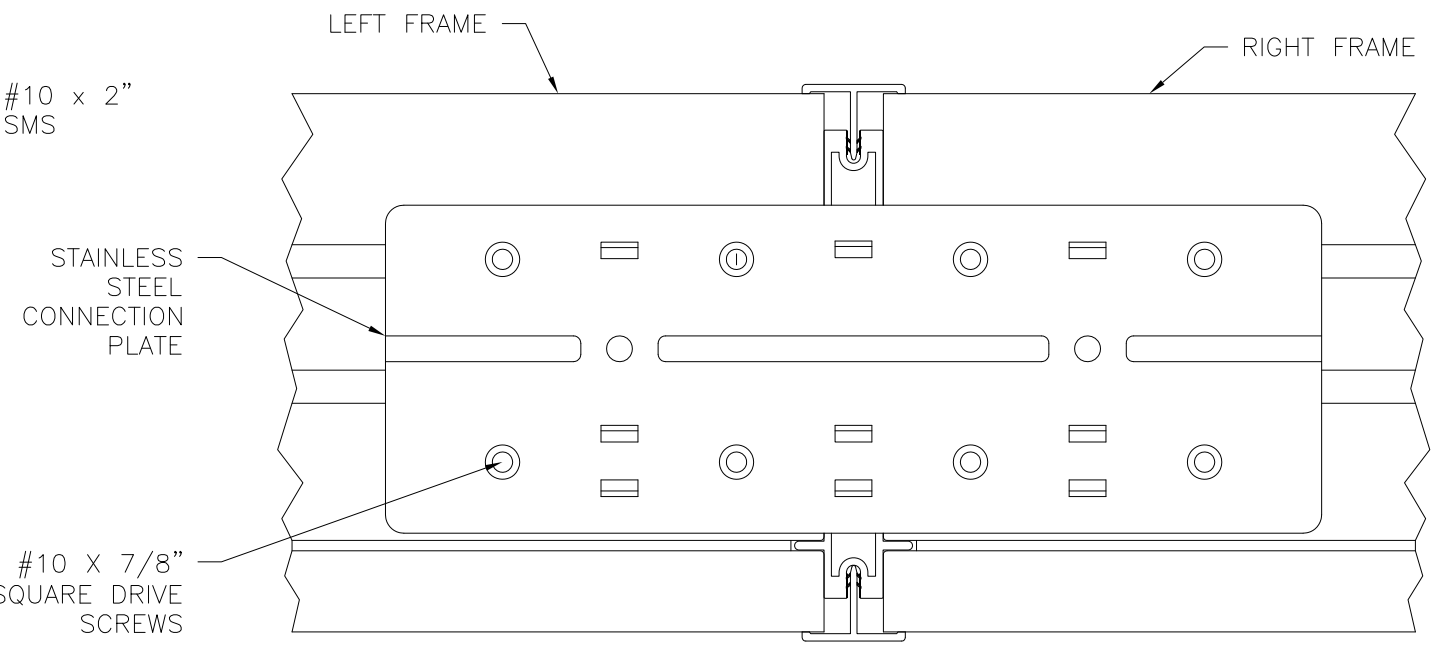
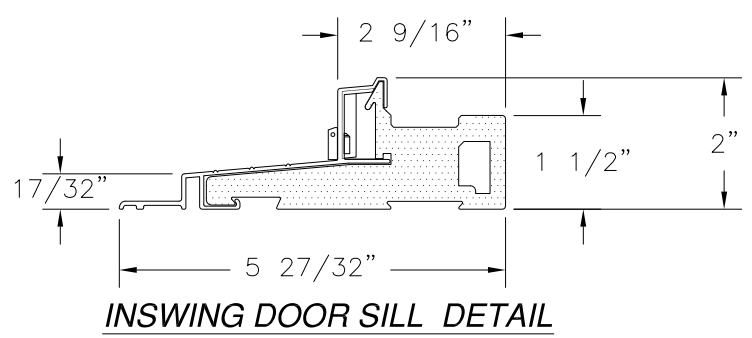
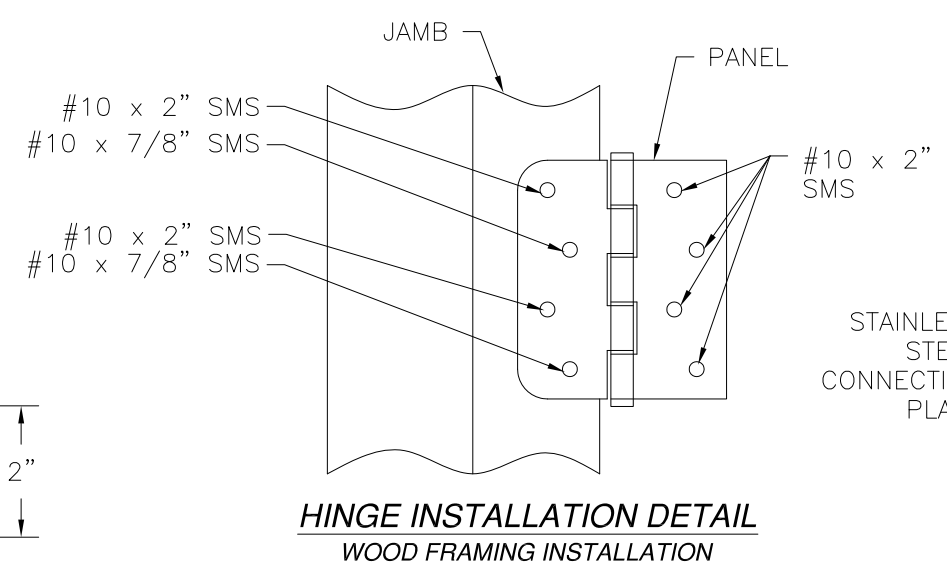
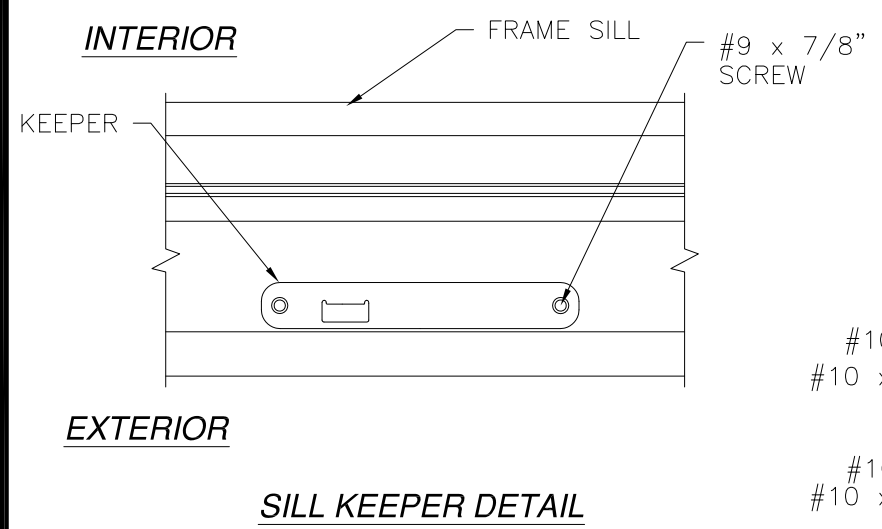
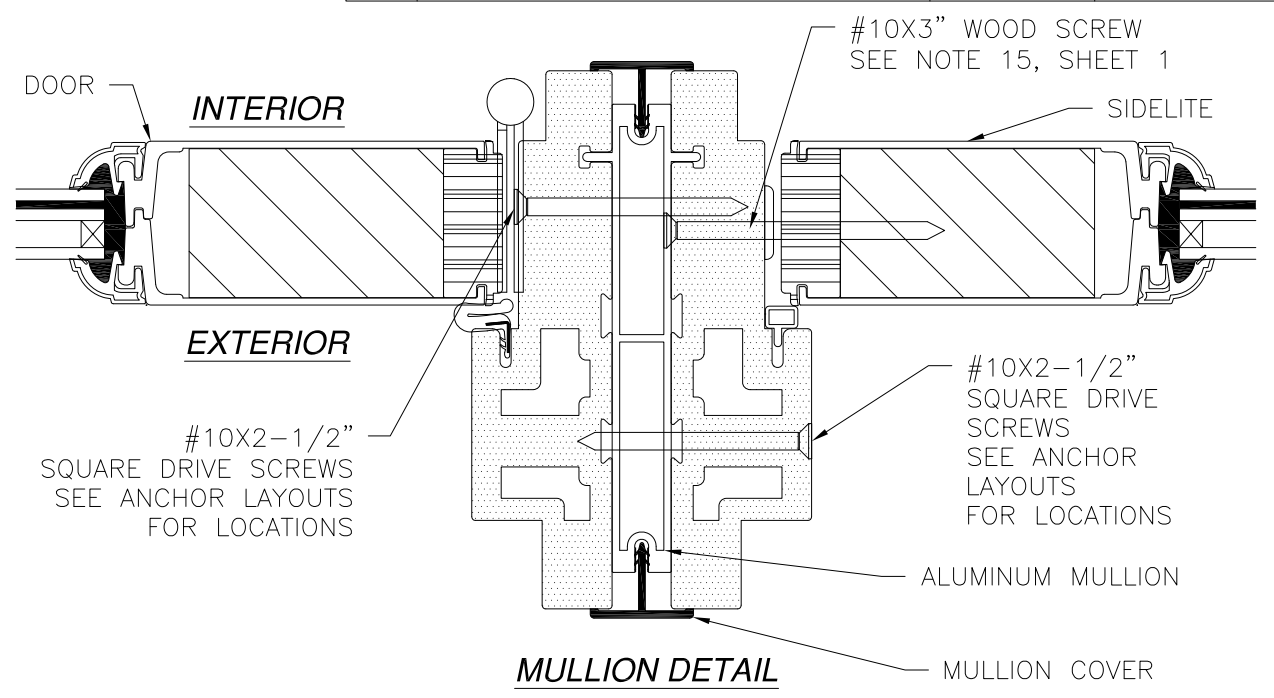
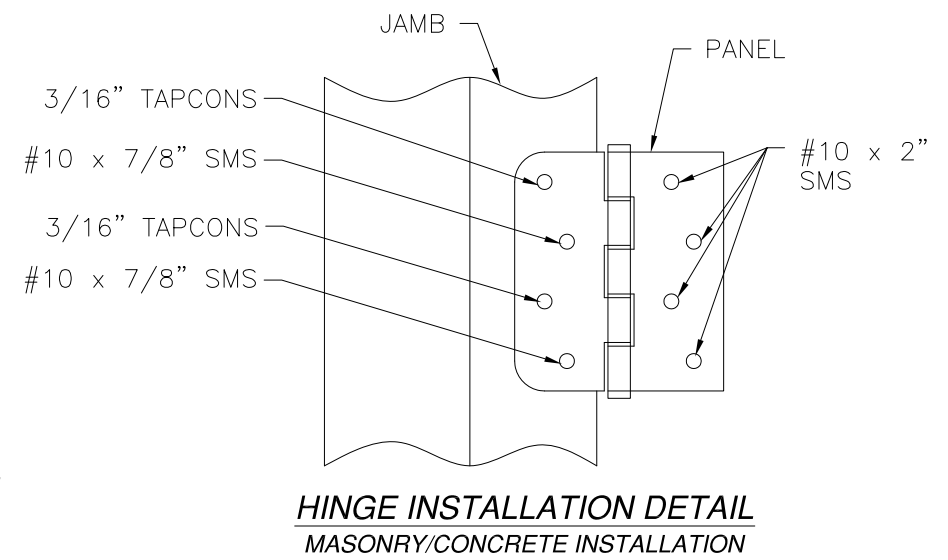
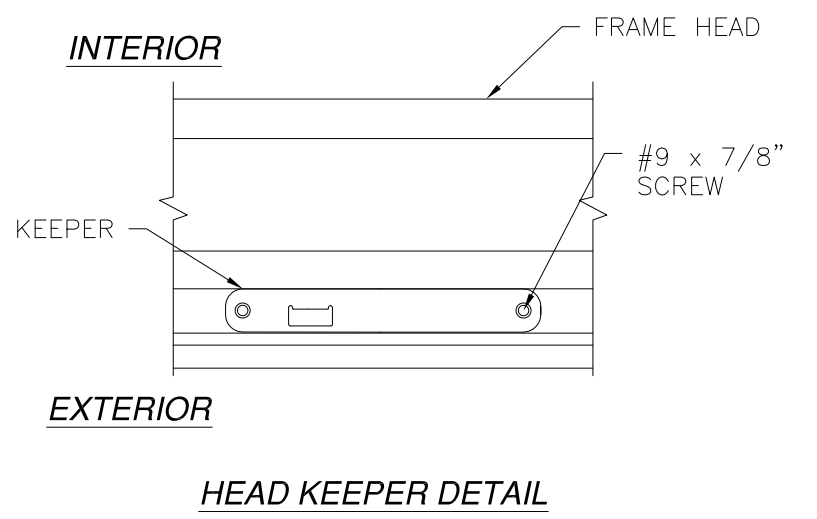
NAN YA PLASTICS CORP. USA
 8989 NORTH LOOP EAST
 HOUSTON, TX 77029

SERIES SLPS 6'11" INSWING
 3/4 LITE PATIO DOOR IMPACT
 ANCHORING LAYOUTS

DRAWN: V.L.	DWG NO. 08-02359	REV A
SCALE NTS	DATE 05/27/14	SHEET 5 of 10



REVISIONS			
REV	DESCRIPTION	DATE	APPROVED
A	ADDED EDGE DISTANCES	11/06/14	R.L.



HARDWARE SCHEDULE	
A.	(3) STEEL 4X4 BUTT HINGE BY WENZHOU LONGTAI (PER PANEL)
B.	STAINLESS STEEL DRIVE BAR PLATE AT ACTIVE PANEL
C.	STAINLESS STEEL HOOK KEEPER AT PASSIVE PANEL
D.	STAINLESS STEEL SLAB MULTI-POINT LOCK KEEPER AT PASSIVE PANEL
E.	STAINLESS STEEL TOP/BOTTOM BAR KEEPER AT FRAME HEAD AND SILL
F.	STAINLESS STEEL, DIE CAST MULTI-POINT LOCKING SYSTEM AT PASSIVE PANEL
G.	STAINLESS STEEL, DIE CAST TOP/BOTTOM DRIVE BAR SYSTEM AT ACTIVE PANEL
H.	DIE CAST HANDLE SETS AT ACTIVE AND PASSIVE PANELS
I.	ALUMINUM REINFORCEMENT-A AT ASTRAGAL
J.	ALUMINUM REINFORCEMENT-B AT INTEGRAL MULLION

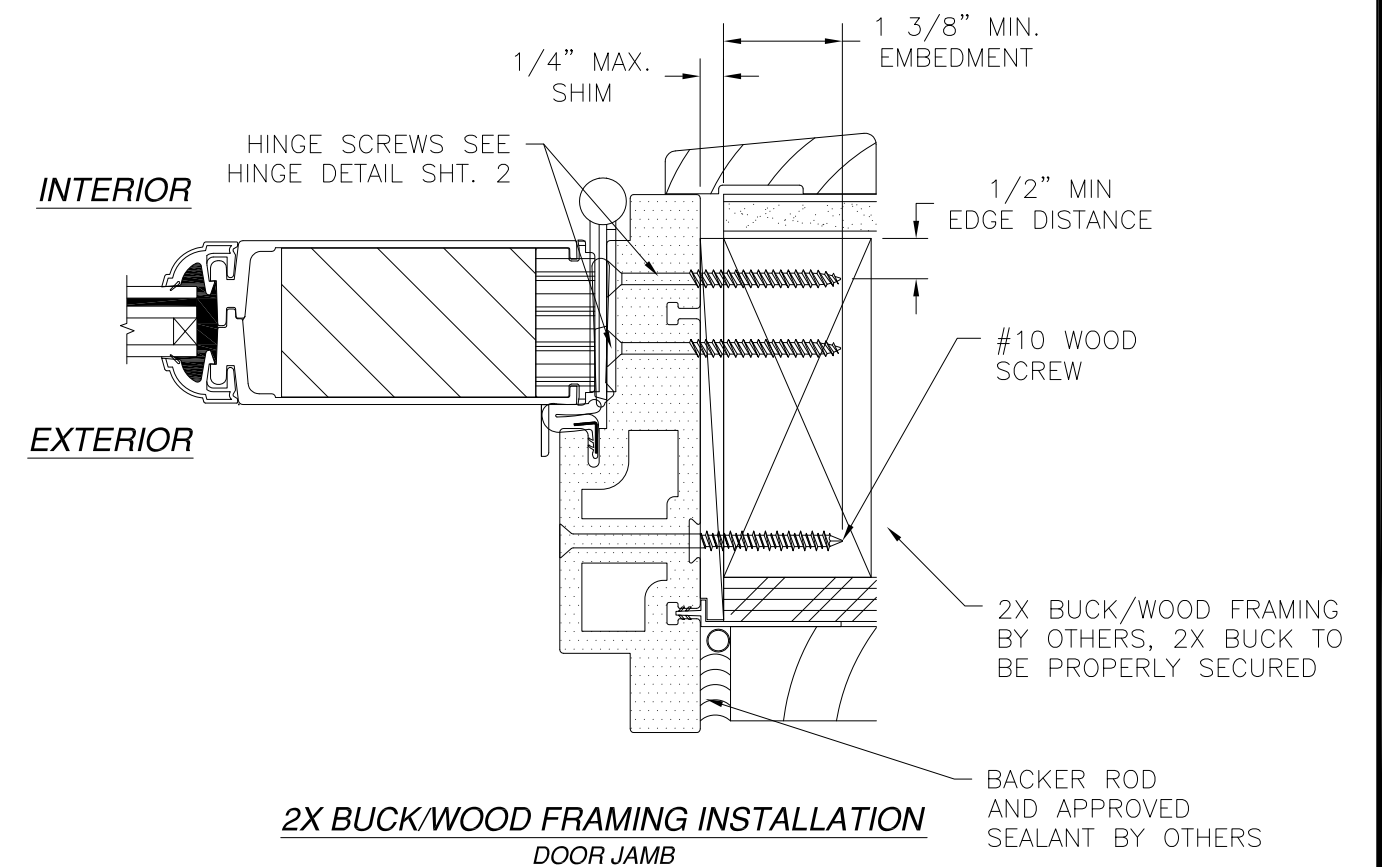
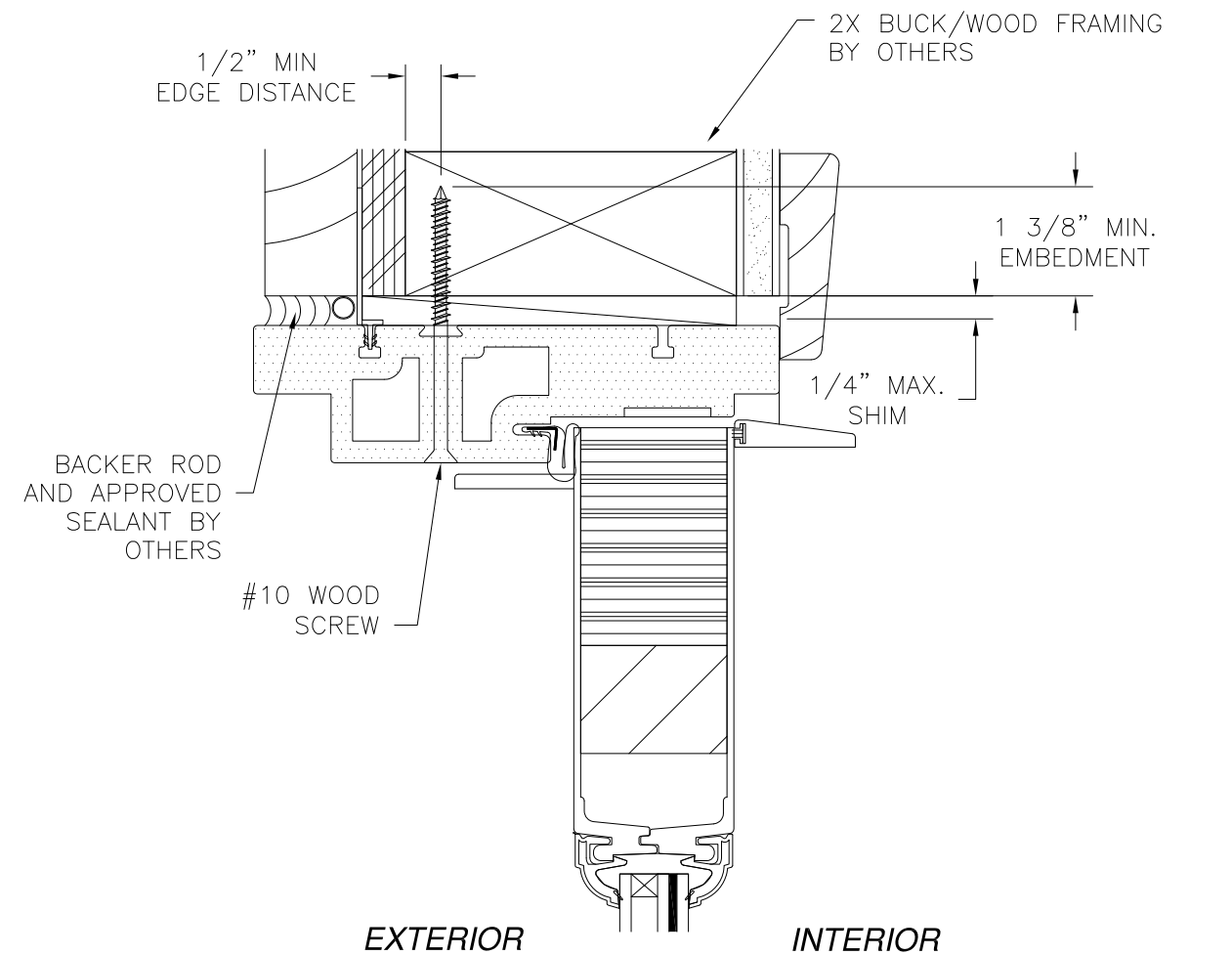
FRAME CONNECTION DETAIL		
DRAWN: V.L.		
DWG. NO. 08-02359		
SCALE NTS		
DATE 05/27/14		SHEET 6 of 10

SIGNED: 11/06/2014

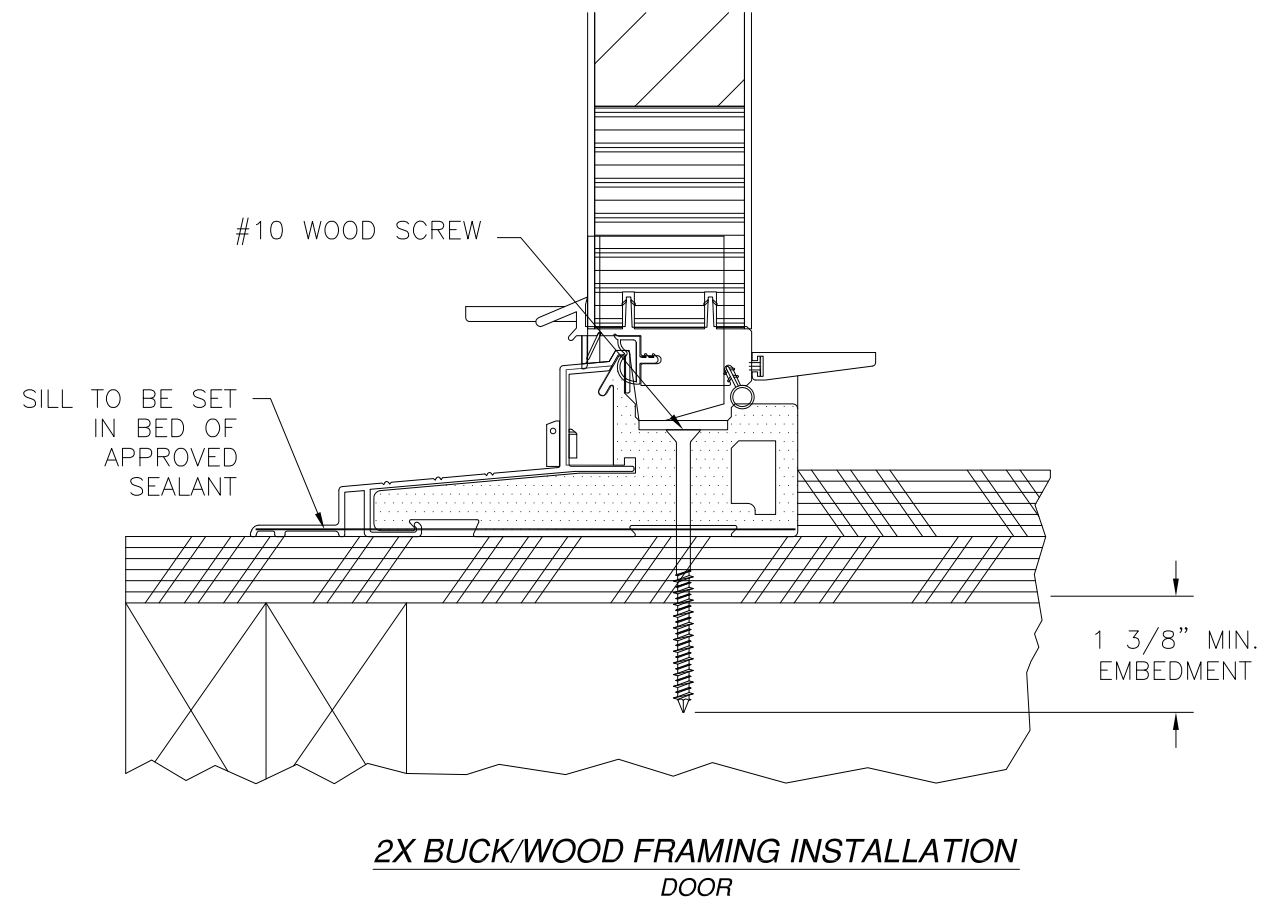
NAN YA PLASTICS CORP. USA
8989 NORTH LOOP EAST
HOUSTON, TX 77029

SERIES SLPS 6'11" INSWING
3/4 LITE PATIO DOOR IMPACT
INSTALLATION DETAILS

REVISIONS			
REV	DESCRIPTION	DATE	APPROVED
A	ADDED EDGE DISTANCES	11/06/14	R.L.



NOTE:
 INTERIOR AND EXTERIOR FINISHES, BY OTHERS, NOT SHOWN FOR CLARITY.
 ANCHORS MAY BE INSTALLED INSIDE OR OUTSIDE FRAME.

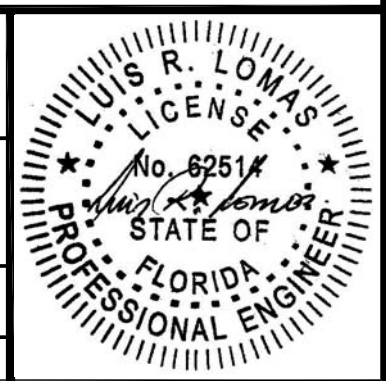


SIGNED: 11/06/2014

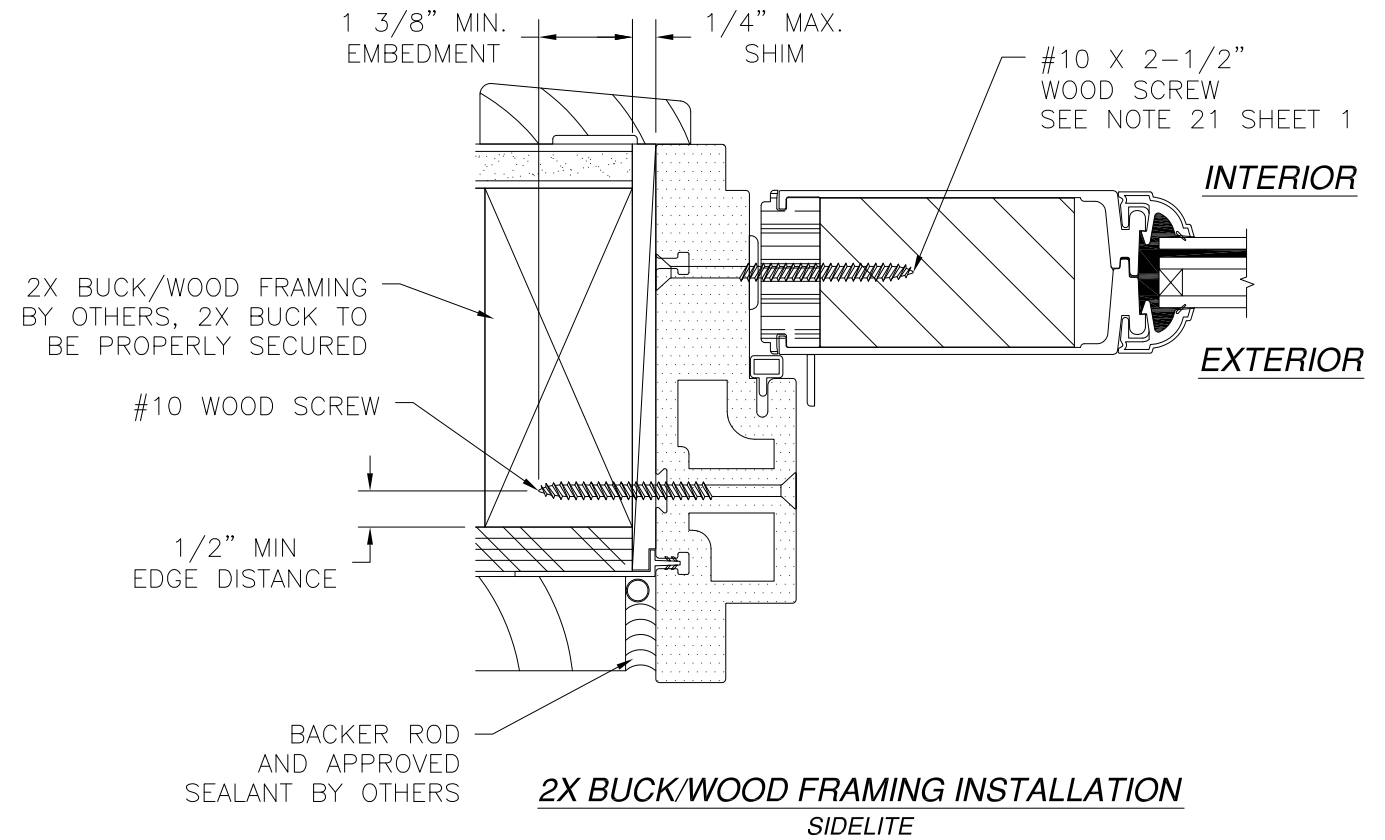
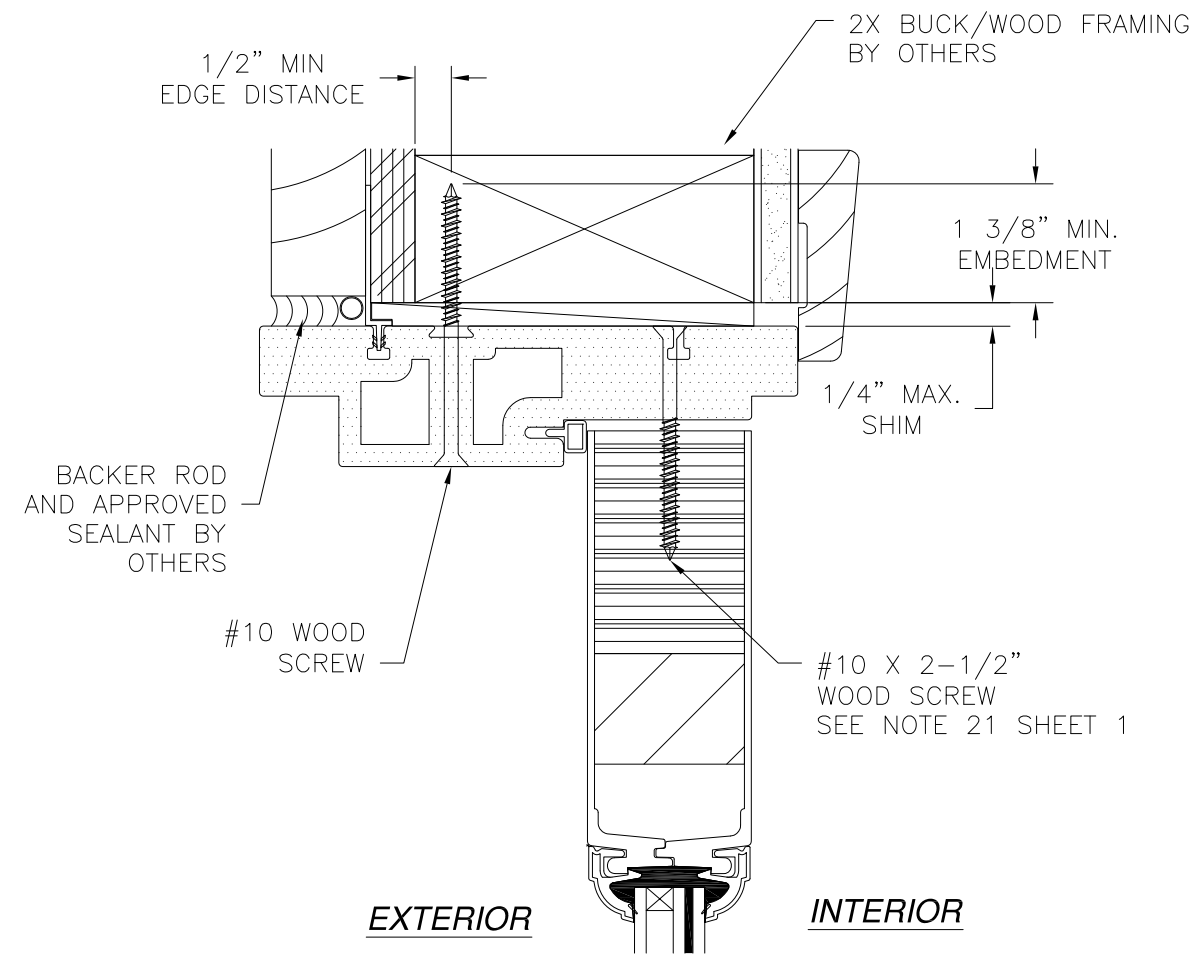
NAN YA PLASTICS CORP. USA
 8989 NORTH LOOP EAST
 HOUSTON, TX 77029

SERIES SLPS 6'11" INSWING
 3/4 LITE PATIO DOOR IMPACT
 INSTALLATION DETAILS

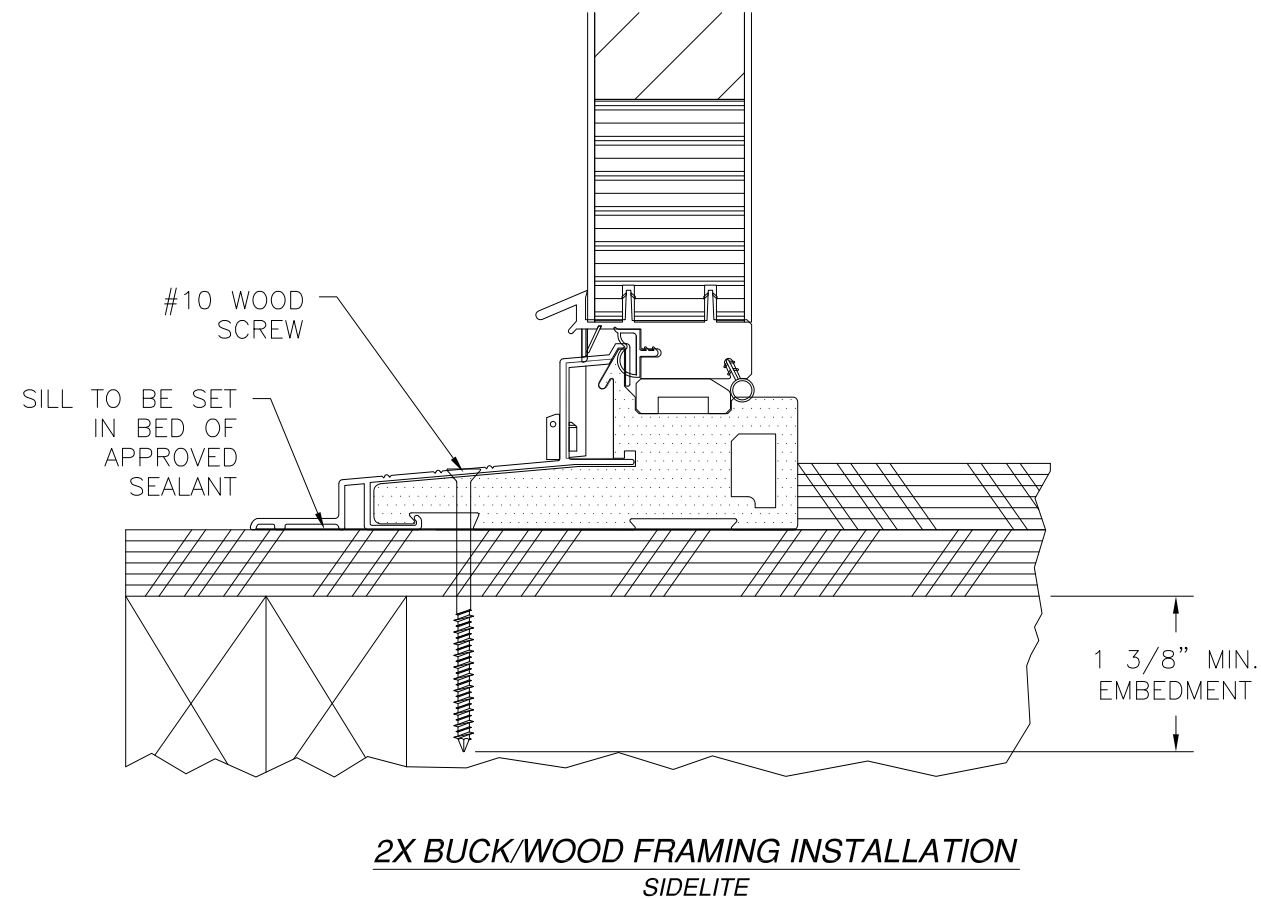
DRAWN: V.L.	DWG. NO. 08-02359	REV A
SCALE NTS	DATE 05/27/14	SHEET 7 OF 10



REVISIONS			
REV	DESCRIPTION	DATE	APPROVED
A	ADDED EDGE DISTANCES	11/06/14	R.L.

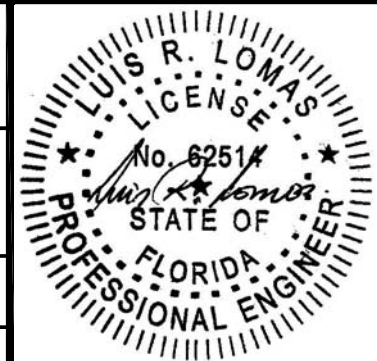


NOTE:
 INTERIOR AND EXTERIOR FINISHES, BY OTHERS, NOT SHOWN FOR CLARITY.
 ANCHORS MAY BE INSTALLED INSIDE OR OUTSIDE FRAME.

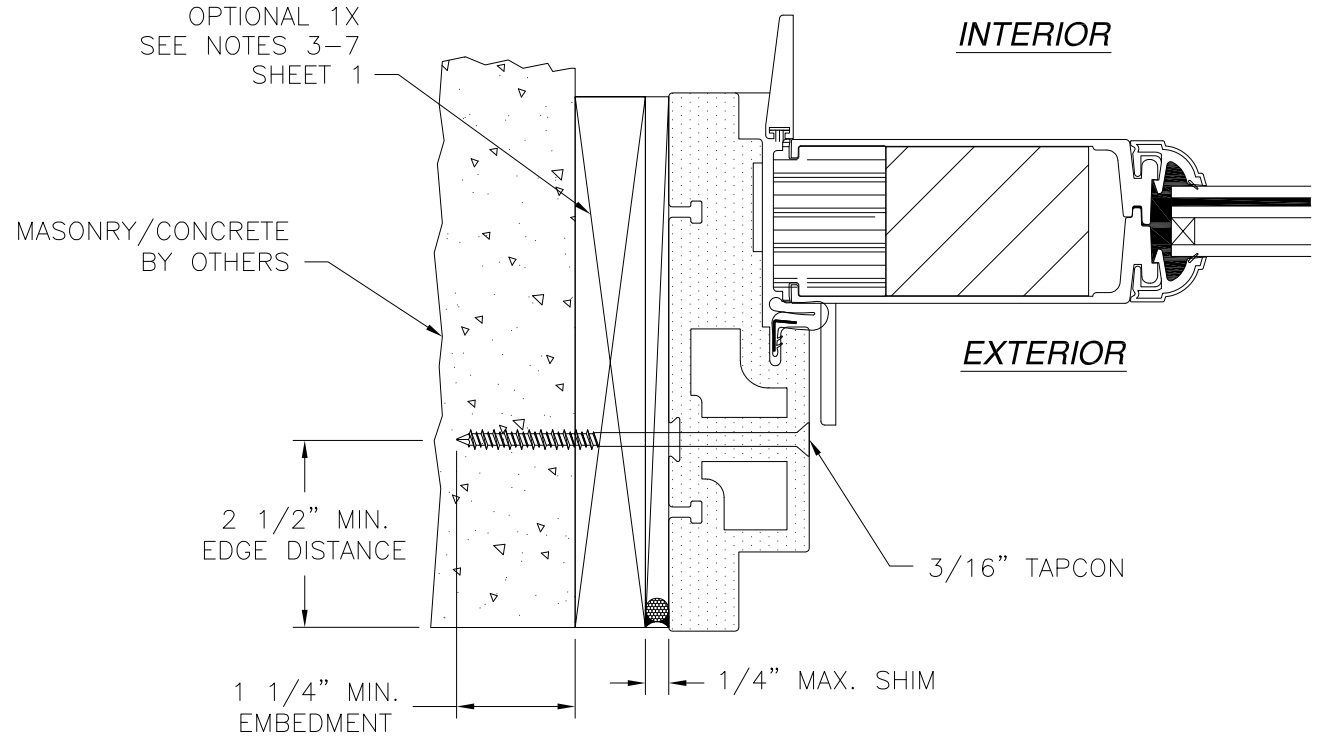
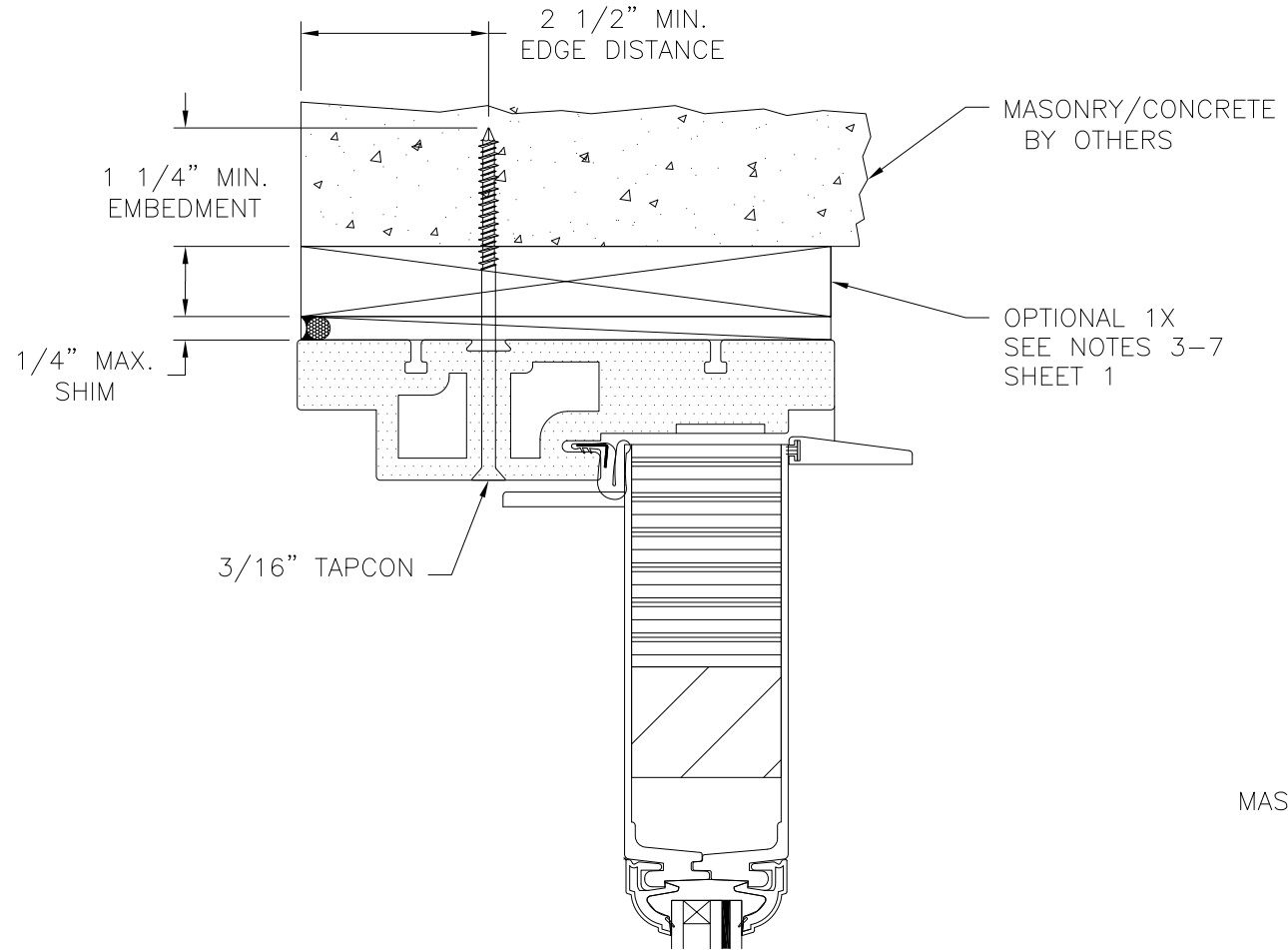


SIGNED: 11/06/2014

NAN YA PLASTICS CORP. USA 8989 NORTH LOOP EAST HOUSTON, TX 77029		
SERIES SLPS 6'11" INSWING 3/4 LITE PATIO DOOR IMPACT INSTALLATION DETAILS		
DRAWN: V.L.	DWG. NO. 08-02359	REV A
SCALE NTS	DATE 05/27/14	SHEET 8 OF 10



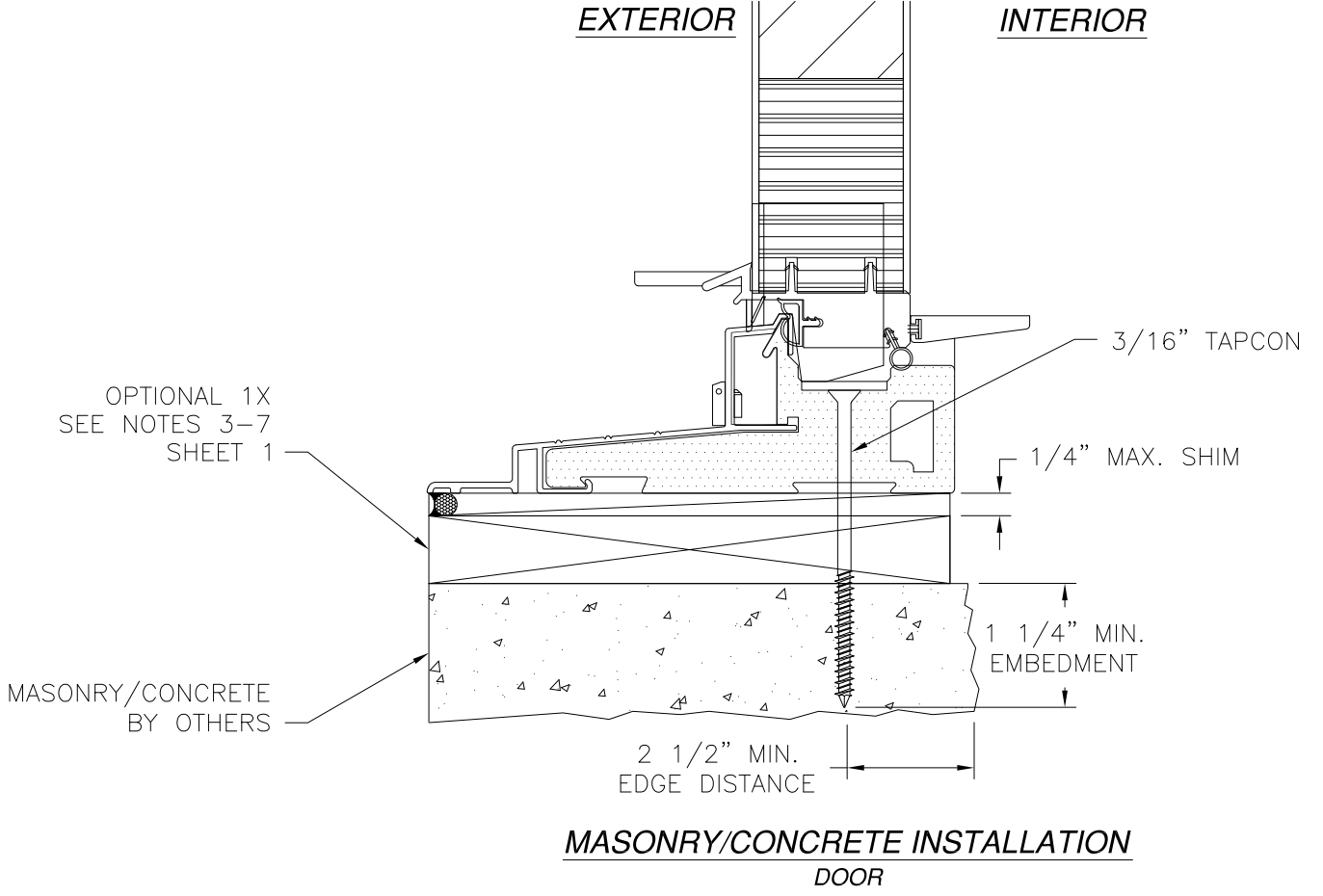
REVISIONS			
REV	DESCRIPTION	DATE	APPROVED
A	ADDED EDGE DISTANCES	11/06/14	R.L.



**MASONRY/CONCRETE INSTALLATION
DOOR JAMB**

NOTE:
 INTERIOR AND EXTERIOR FINISHES, BY OTHERS, NOT SHOWN FOR CLARITY.
 ANCHORS MAY BE INSTALLED INSIDE OR OUTSIDE FRAME.

SIGNED: 11/06/2014

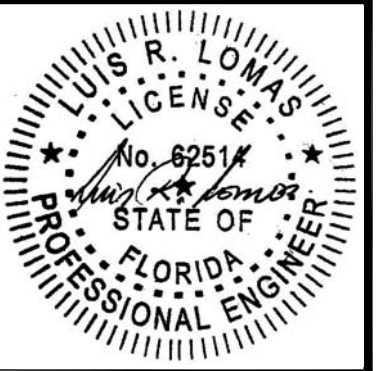


**MASONRY/CONCRETE INSTALLATION
DOOR**

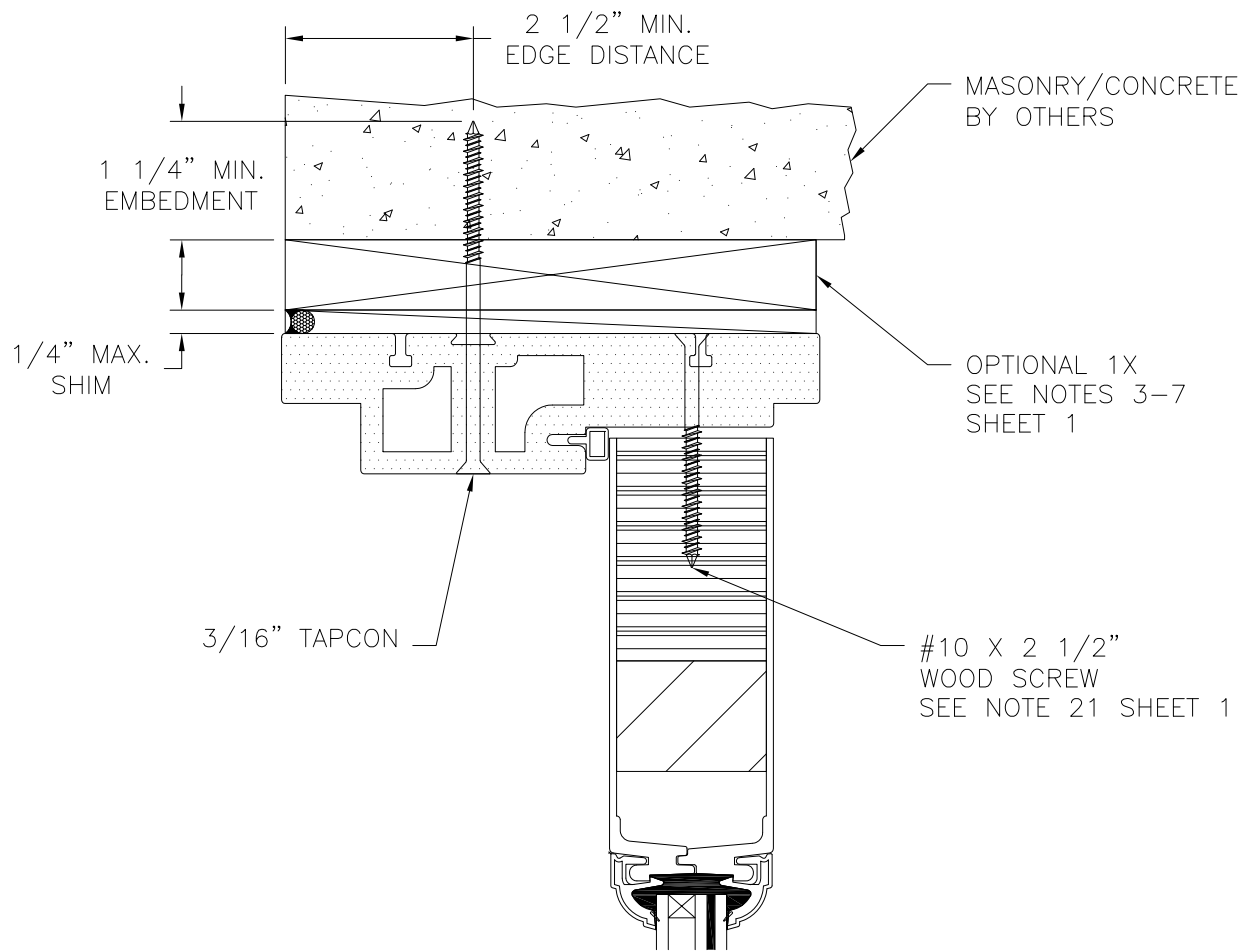
NAN YA PLASTICS CORP. USA
 8989 NORTH LOOP EAST
 HOUSTON, TX 77029

SERIES SLPS 6'11" INSWING
 3/4 LITE PATIO DOOR IMPACT
 INSTALLATION DETAILS

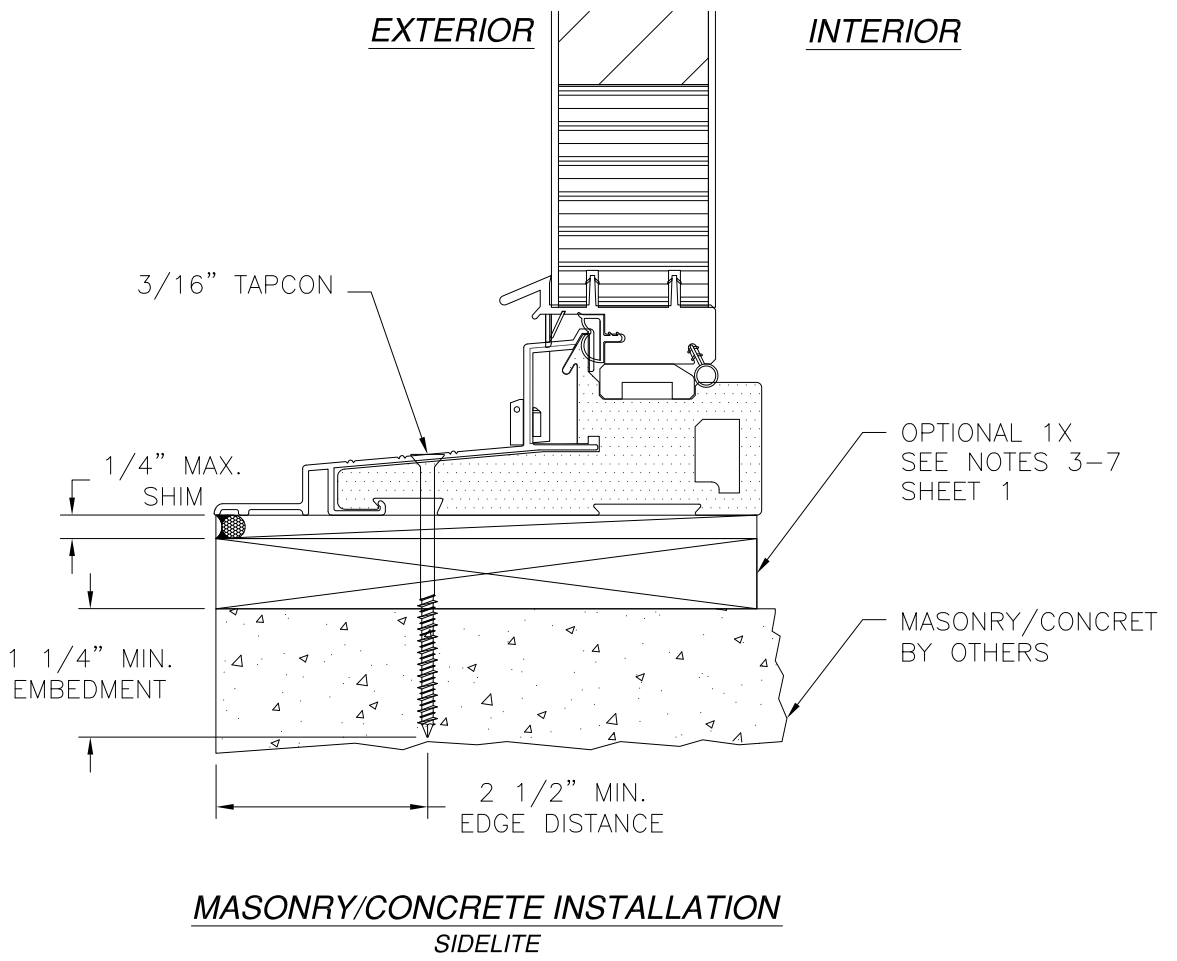
DRAWN: V.L.	DWG NO. 08-02359	REV A
SCALE NTS	DATE 05/27/14	SHEET 9 OF 10



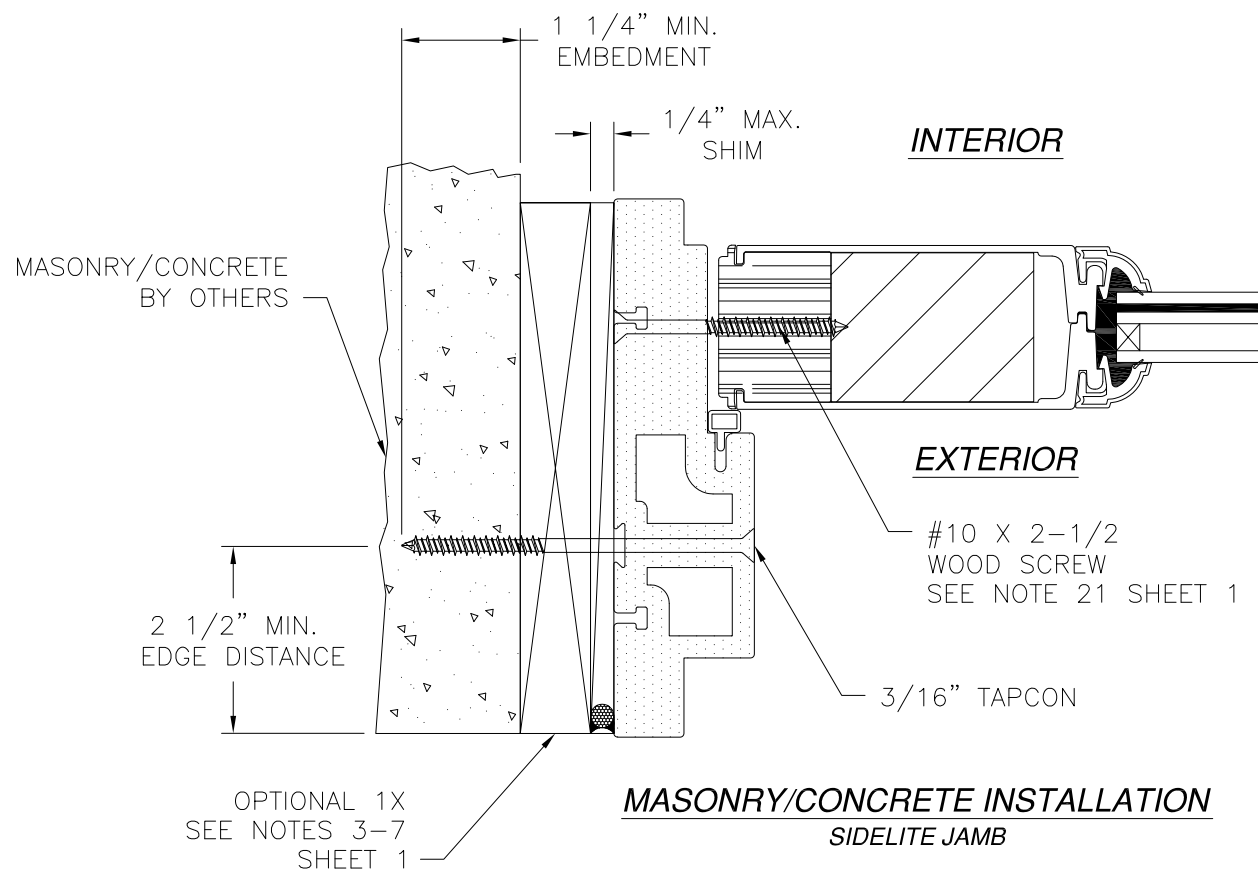
REVISIONS			
REV	DESCRIPTION	DATE	APPROVED
A	ADDED EDGE DISTANCES	11/06/14	R.L.



EXTERIOR INTERIOR



MASONRY/CONCRETE INSTALLATION
SIDELITE



MASONRY/CONCRETE INSTALLATION
SIDELITE JAMB

NOTE:
INTERIOR AND EXTERIOR FINISHES, BY OTHERS, NOT SHOWN FOR CLARITY.
ANCHORS MAY BE INSTALLED INSIDE OR OUTSIDE FRAME.

SIGNED: 11/06/2014

NAN YA PLASTICS CORP. USA
8989 NORTH LOOP EAST
HOUSTON, TX 77029

SERIES SLPS 6'11" INSWING
3/4 LITE PATIO DOOR IMPACT
INSTALLATION DETAILS

DRAWN: V.L.	DWG. NO. 08-02359	REV A
SCALE NTS	DATE 05/27/14	SHEET 10 OF 10

