

Florida Building Code Product Approval
FL14752.9-R3 Non-Impact 12'0" x 6'11/6'8 Outswing, Full Lite DP70

FL #	FL14752-R3						
Application Type	Revision						
Code Version	2010						
Application Status	Approved						
	*Approved by DBPR. Approvals by DBPR shall be reviewed and ratified by the POC and/or the Commission if necessary.						
Comments							
Archived	<input type="checkbox"/>						
Product Manufacturer	Nan Ya Plastics Corporation USA						
Address/Phone/Email	8989 North Loop East Houston, TX 77029 (713) 674-7822 Ext 105 ajen96@yahoo.com.tw						
Authorized Signature	RUSKIN WU ajen96@yahoo.com.tw						
Technical Representative	Ruskin Wu						
Address/Phone/Email	8989 North Loop East Houston, TX 77029-1217 (713) 674-7822 Ext 105 ajen96@yahoo.com.tw						
Quality Assurance Representative							
Address/Phone/Email							
Category	Exterior Doors						
Subcategory	Swinging Exterior Door Assemblies						
Compliance Method	Certification Mark or Listing						
Certification Agency	National Accreditation & Management Institute						
Validated By	National Accreditation & Management Institute,						
Referenced Standard and Year (of Standard)	<table border="0"> <thead> <tr> <th><u>Standard</u></th> <th><u>Year</u></th> </tr> </thead> <tbody> <tr> <td>AAMA/NWWDA 101/I.S.2</td> <td>1997</td> </tr> <tr> <td>AAMA/WDMA</td> <td>2002</td> </tr> </tbody> </table>	<u>Standard</u>	<u>Year</u>	AAMA/NWWDA 101/I.S.2	1997	AAMA/WDMA	2002
<u>Standard</u>	<u>Year</u>						
AAMA/NWWDA 101/I.S.2	1997						
AAMA/WDMA	2002						

Florida Building Code Product Approval
FL14752.9-R3 Non-Impact 12'0" x 6'11/6'8 Outswing, Full Lite DP70

	101/I.S.2/NAFS AAMA/WDMA/CSA 101/I.S.2/A440 ASTM E1886 ASTM E1886 ASTM E1996 ASTM E1996 ASTM E1996 ASTM E1996 ASTM E330	2008 2005 2002 2002 2005 2006 2002
Equivalence of Product Standards Certified By		
Product Approval Method	Method 1 Option A	
Date Submitted	10/22/2014	
Date Validated	11/24/2014	
Date Pending FBC Approval		
Date Approved	11/25/2014	

14752.9	OUT-SWING ENTRANCE DOOR	OUT-SWING ENTRANCE DOOR WITH AND WITHOUT SIDELITES - SLPS NON-IMPACT, FIBERGLASS CLAD
Limits of Use Approved for use in HVHZ: No Approved for use outside HVHZ: Yes Impact Resistant: No Design Pressure: +70/-70 Other: UNITS GLAZED WITH SAFETY GLASS PER ASTM E1300-04.		Certification Agency Certificate FL14752_R3_C_CAC_NI011031.01.pdf Quality Assurance Contract Expiration Date 03/31/2016 Installation Instructions FL14752_R3_II_08-01891A.pdf Verified By: Luis Roberto Lomas 62514 Created by Independent Third Party: Yes Evaluation Reports FL14752_R3_AE_512583B.pdf Created by Independent Third Party: Yes

NOTICE OF PRODUCT CERTIFICATION



CERTIFICATION NO: NI010690.02
DATE: 01/16/2013
CERTIFICATION PROGRAM: Structural
COMPANY: Nan Ya
CODE: 661-1

To verify that the "Notice of Product Certification" is valid, please visit www.NAMICertification.com to assure that the product is active and currently listed. This certification represents product conformity to the applicable specification and that certification criteria has been satisfied. A NAMI approved certification label must be applied to the product to claim certification status. Please review and advise NAMI if any corrections are required to this document.

COMPANY NAME AND ADDRESS	PRODUCT DESCRIPTION
Nan Ya Plastics Corporation USA 8989 North Loop East, Suite 800 Houston, TX 77029	Series "Out-Swing Entrance Door with Sidelites" Fiberglass Clad Entrance Door Configuration: OXXO Glazing: IG-Laminate (Interior)-1/8" Annealed Glass/0.090" DuPont Butacite PVB/1/8" Annealed Glass/(Exterior)-1/8" Tempered Glass Frame: W-3703mm(145.75) H-2096mm(82.50") Panel: W-895mm(35.25") H-2040mm(80.31") Sidelite: W-875mm(34.50") H-2040mm(80.31")

SPECIFICATION	PRODUCT RATING
ASTM E1886-05/E1996-05	Design Pressure: +70/-70 psf Wind Zone 4-Missile Level D Qualifies Configurations: O/X/OX/XO/OXX/XXO/OXO/OXXO

Product Tested By: Fenestration Testing Laboratory, Inc.
Report No: FTL 6492/W-1547
Expiration Date: April 30, 2015

Administrator's Signature: _____

A handwritten signature in black ink, appearing to be "Shu", written over a horizontal line.

**NATIONAL ACCREDITATION AND
MANAGEMENT INSTITUTE, INC.**
4794 George Washington Memorial Highway
Hayes, VA 23072
Tel: (804) 684-5124
Fax: (804) 684-5122

NOTICE OF PRODUCT CERTIFICATION



CERTIFICATION NO: NI011031.01
DATE: 01/16/2013
CERTIFICATION PROGRAM: Structural
COMPANY: Nan Ya
CODE: 661-1

To verify that the "Notice of Product Certification" is valid, please visit www.NAMICertification.com to assure that the product is active and currently listed. This certification represents product conformity to the applicable specification and that certification criteria has been satisfied. A NAMI approved certification label must be applied to the product to claim certification status. Please review and advise NAMI if any corrections are required to this document.

COMPANY NAME AND ADDRESS	PRODUCT DESCRIPTION
Nan Ya Plastics Corporation USA 8989 North Loop East, Suite 800 Houston, TX 77029	Series "Out-Swing Entrance Door with Sidelites" Fiberglass Double Door with Sidelites Configuration: OXXO Glazing: IG-Laminate (Interior)-1/8" Annealed Glass/0.090" DuPont Butacite PVB/1/8" Annealed Glass/(Exterior)-1/8" Tempered Glass Frame: W-3703mm(145.75) H-2096mm(82.50") Panel: W-876mm(34.50") H-2040mm(80.32") DLO: W-635mm(25.00") H-1601mm(63.00")

SPECIFICATION	PRODUCT RATING
AAMA/WDMA/CSA 101/I.S.2/A440-08	Class R-PG70 3632 x 2096 (142 x 83)-SHD Qualifies Configurations: O/X/OX/XO/OXX/XXO/OXO/OXXO

Product Tested By: Fenestration Testing Laboratory, Inc.
Report No: FTL 6757/W-1548
Expiration Date: March 31, 2016

Administrator's Signature: _____

A handwritten signature in black ink, appearing to be 'S. D.', written over a horizontal line.

**NATIONAL ACCREDITATION AND
MANAGEMENT INSTITUTE, INC.**
4794 George Washington Memorial Highway
Hayes, VA 23072
Tel: (804) 684-5124
Fax: (804) 684-5122

L. Roberto Lomas P.E.

233 W. Main St.

Danville, VA 24541

434-688-0609

rlomas@lrlomaspe.com

Engineering Evaluation Report

Report No.: 512580B

Manufacturer: Nan Ya Plastics Corp. USA
8989 North Loop East
Houston, TX 77029

Product Line: Out-Swing Entrance Door (SLPS) with and without Sidelites, Fiberglass Clad

Compliance:

The above mentioned product has been evaluated for compliance with the requirements of the Florida Department of Business and Professional Regulation for Statewide Acceptance per Rule 61G20-3.005 method 1(a). The product listed herein complies with requirements of the Florida Building Code.

Supporting Technical Documentation:

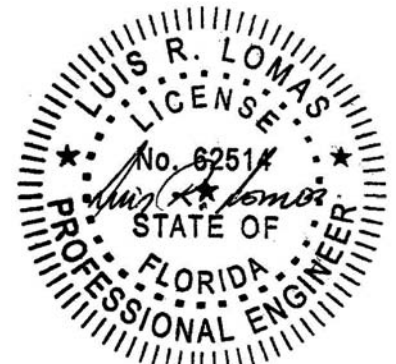
1. Approval document: drawing number 08-01888, revision A, prepared, signed and sealed by Luis Roberto Lomas P.E.
2. Report No.: FTL 6757 signed and sealed by Marlin D. Brinson P.E.
Fenestration Testing Laboratory, Medley, FL
ANSI/AAMA/NWWDA 101/I.S.2A440-08
Design pressure: ± 70.0 psf
Water penetration resistance 10.5psf
3. Report No.: FTL 6492 signed by Mr. Manny Sanchez.
Fenestration Testing Laboratory, Medley, FL
AAMA 506
ASTM E1886-05/ E1996-05 Large Missile Impact, Level D, Wind Zone 4
ASTM E1886-05/ E1996-05 Cyclic Load Test, ± 70.0 psf design pressure
4. Anchor calculations, report number 512580-1, prepared, signed and sealed by Luis Roberto Lomas P.E.

Limitations and Conditions of use:

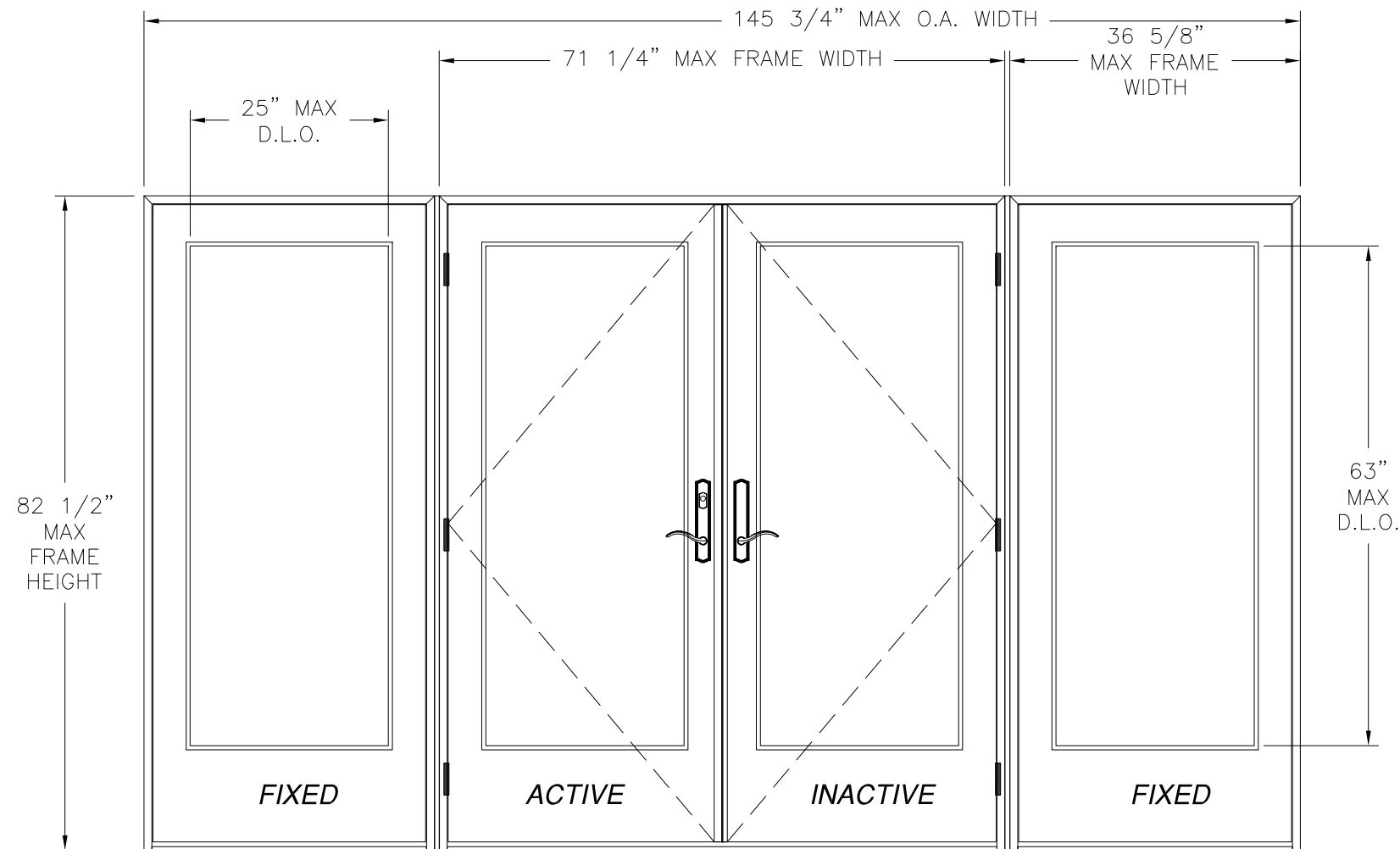
- Maximum design pressure: ± 70.0 psf
- Maximum unit size: 145 3/4" x 82 1/2"
- Units must be glazed per ASTM E1300-04, refer to approval document for glass type.
- This product is not rated to be used in the HVHZ.
- This product is impact resistant and does not require impact protection in wind borne debris regions.
- Frame material to be CO-Extruded PVC Foam.

Installation: Units must be installed in accordance with approval document, 08-01888, revision A.

Certification of Independence: Please note that I don't have nor will acquire a financial interest in any company manufacturing or distributing the product(s) for which this report is being issued. Also, I don't have nor will acquire a financial interest in any other entity involved in the approval process of the listed product(s).



REVISIONS			
REV	DESCRIPTION	DATE	APPROVED
A	ADDED EDGE DISTANCES	11/05/14	R.L



**OUT-SWING ENTRANCE DOUBLE DOOR (SLPS)
W/ SIDELITES FIBERGLASS CLAD
EXTERIOR VIEW**

DESIGN PRESSURE RATING	IMPACT RATING
±70.0PSF	LARGE AND SMALL MISSILE IMPACT

MISSILE LEVEL D, WIND ZONE 4

NOTES:

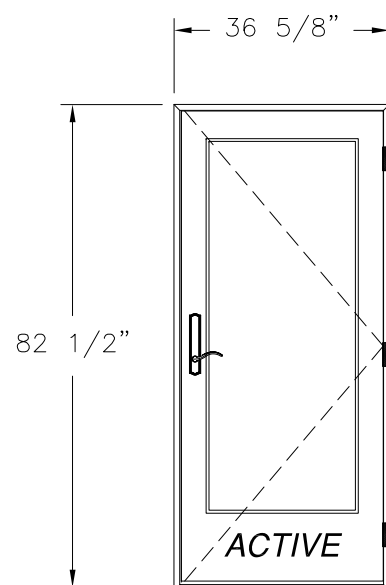
- 1) THE PRODUCT SHOWN HEREIN IS DESIGNED AND MANUFACTURED TO COMPLY WITH REQUIREMENTS OF FLORIDA BUILDING CODE.
- 2) WOOD FRAMING AND MASONRY OPENING TO BE DESIGNED AND ANCHORED TO PROPERLY TRANSFER ALL LOADS TO STRUCTURE. WOOD FRAMING OPENING IS THE RESPONSIBILITY OF THE ARCHITECT OR ENGINEER OF RECORD.
- 3) 1X BUCK OVER MASONRY/CONCRETE IS OPTIONAL. WHERE 1X BUCK IS NOT USED DISSIMILAR MATERIALS MUST BE SEPARATED WITH APPROVED COATING OR MEMBRANE. SELECTION OF COATING OR MEMBRANE IS THE RESPONSIBILITY OF THE ARCHITECT OR ENGINEER OF RECORD.
- 4) APPROVED IMPACT PROTECTIVE SYSTEM IS NOT REQUIRED FOR THIS PRODUCT IN WIND BORNE DEBRIS REGIONS.
- 5) UNITS MUST BE GLAZED PER ASTM E1300-04. SEE SHEET 5 FOR GLAZING DETAIL.
- 6) ALLOWABLE STRESS INCREASE OF 1/3 WAS NOT USED IN THE DESIGN OF THE PRODUCT SHOWN HEREIN. WIND LOAD DURATION FACTOR Cd=1.6 WAS USED FOR WOOD ANCHOR CALCULATIONS.
- 7) FRAME JAMB AND HEAD MATERIAL: CO-EXTRUDED PVC FOAM.
- 8) FRAME SILL MATERIAL: CO-EXTRUDED PVC FOAM WITH ALUMINUM CLADDING.
- 9) DOOR PANEL SIDELITE MATERIAL: FIBERGLASS SKIN WITH PVC FOAM TOP AND BOTTOM RAILS, AND PVC FOAM VERTICAL STILES WITH PINE REINFORCEMENTS AND POLYURETHANE FOAM CORE.
- 10) HINGE LOCATION: 9", 40 7/8" AND 72 1/2" FROM BOTTOM.
- 11) MAX PANEL SIZE: 34 1/2" X 80 5/16"

SIGNED: 11/06/2014

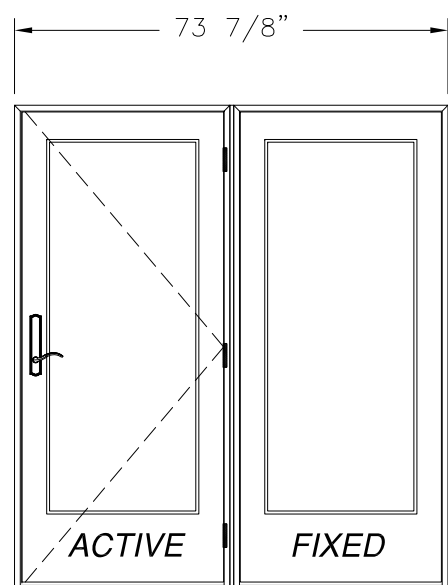
TABLE OF CONTENTS	
SHEET NO.	DESCRIPTION
1, 2	ELEVATION AND NOTES
3, 4	ANCHORING LAYOUTS
5 - 9	INSTALLATION DETAILS

NAN YA PLASTICS CORP. USA 8989 NORTH LOOP EAST HOUSTON, TX 77029		
OUT-SWING ENTRANCE DOOR (SLPS) W/ & W/O SIDELITES FIBERGLASS CLAD ELEVATION AND NOTES		
DRAWN: V.L.	DWG NO. 08-01888	REV A
SCALE NTS	DATE 01/07/13	SHEET 1 OF 9

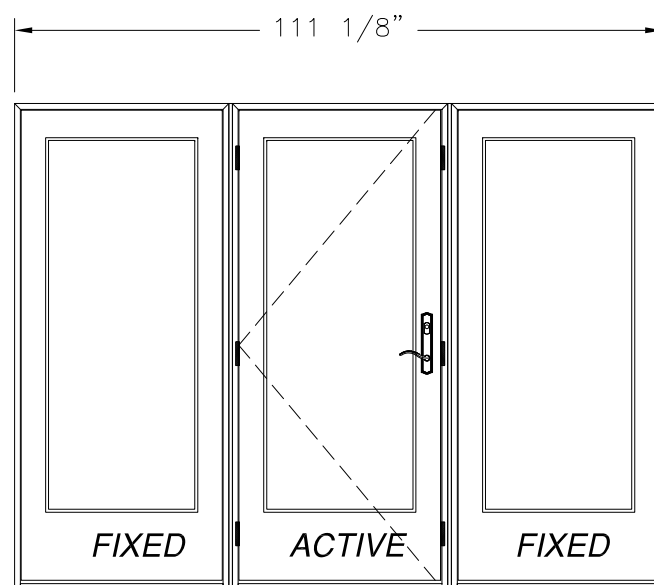




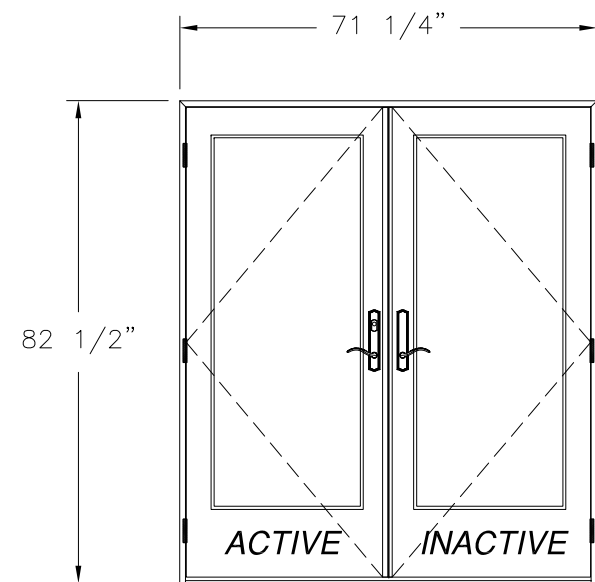
SINGLE (X)
EXTERIOR VIEW



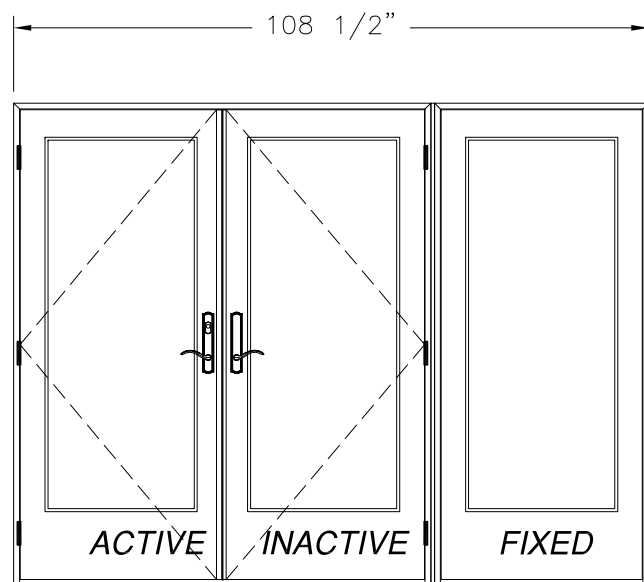
SINGLE W/SIDELITE (XO, OX)
EXTERIOR VIEW



SINGLE W/SIDELITES (OXO)
EXTERIOR VIEW



DOUBLE (XX)
EXTERIOR VIEW



DOUBLE W/SIDELITE (XXO, OXX)
EXTERIOR VIEW

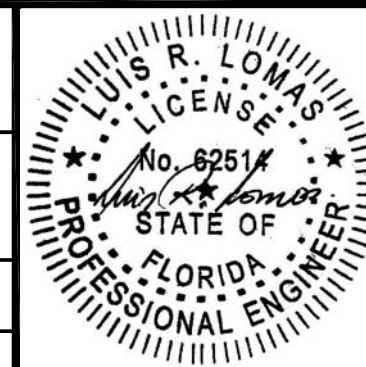
REVISIONS			
REV	DESCRIPTION	DATE	APPROVED
A	ADDED EDGE DISTANCES	11/05/14	R.L

SIGNED: 11/06/2014

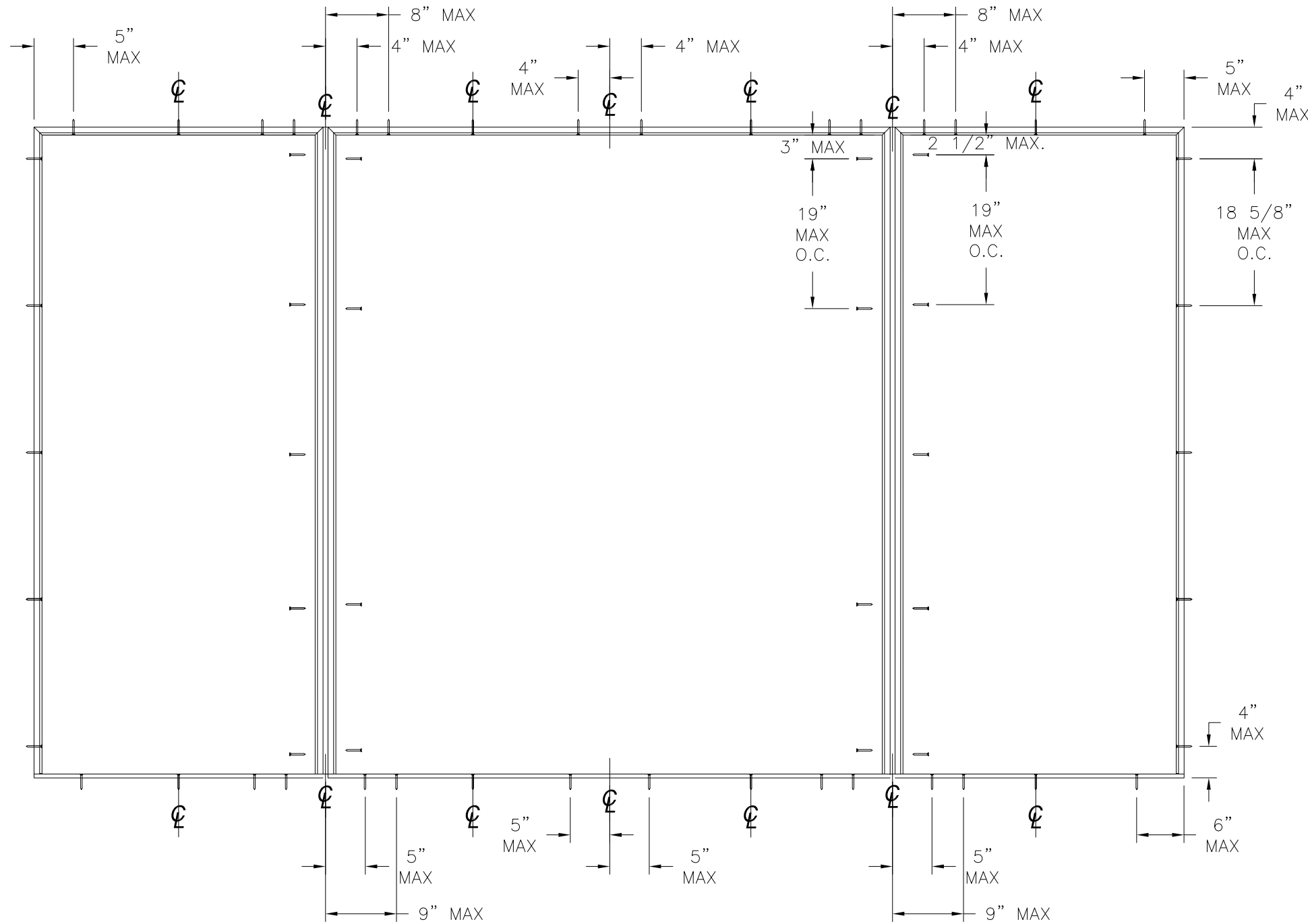
NAN YA PLASTICS CORP. USA
8989 NORTH LOOP EAST
HOUSTON, TX 77029

OUT-SWING ENTRANCE DOOR (SLPS)
W/ & W/O SIDELITES FIBERGLASS CLAD
APPROVED ELEVATIONS

DRAWN: V.L.	DWG NO. 08-01888	REV A
SCALE NTS	DATE 01/07/13	SHEET 2 OF 9



REVISIONS			
REV	DESCRIPTION	DATE	APPROVED
A	ADDED EDGE DISTANCES	11/05/14	R.L



ANCHORING LAYOUT

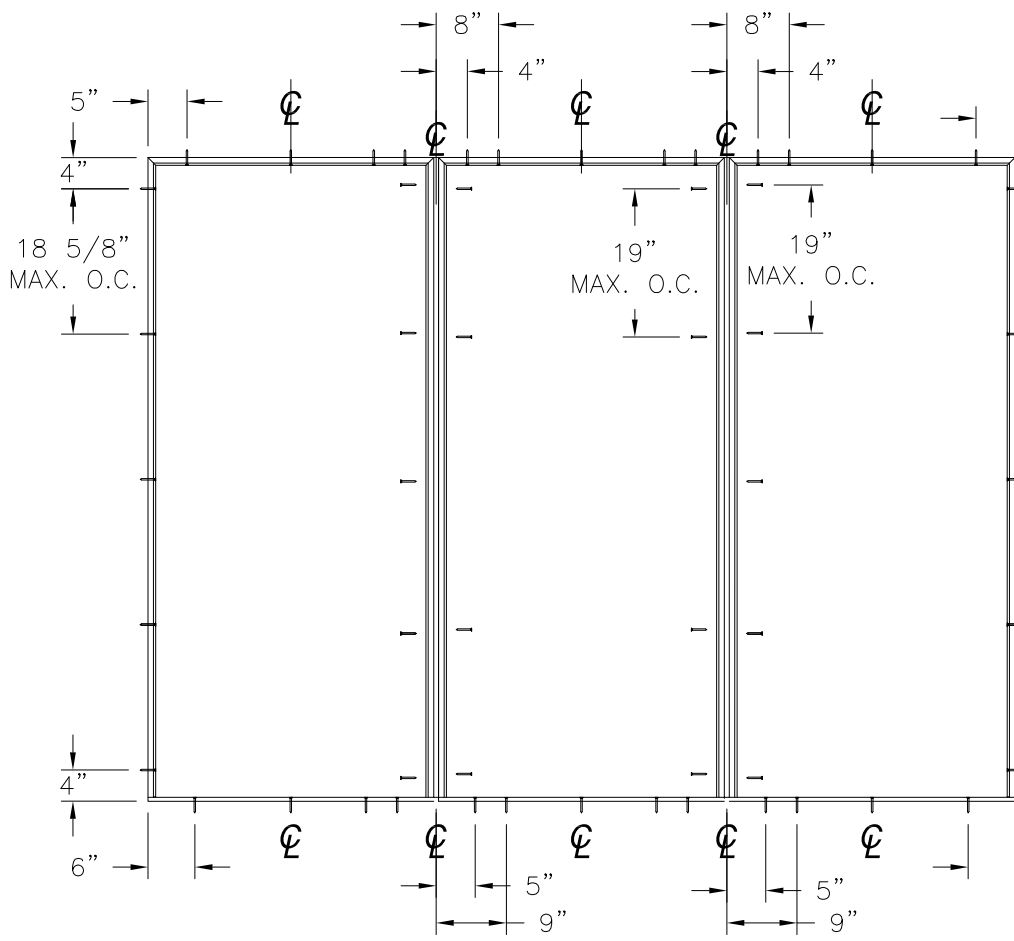
ANCHORING NOTES:

- 1) SHIM AS REQUIRED AT EACH INSTALLATION ANCHOR WITH LOAD BEARING SHIM. SHIM WHERE SPACE OF 1/16" OR GREATER OCCURS. MAXIMUM ALLOWABLE SHIM STACK TO BE 1/4".
- 2) FOR ANCHORING INTO MASONRY/CONCRETE USE 3/16" TAPCON OF SUFFICIENT LENGTH TO ACHIEVE A 1 1/4" MINIMUM EMBEDMENT INTO SUBSTRATE. LOCATE ANCHORS AS SHOWN IN ANCHORING LAYOUT AND INSTALLATION DETAILS.
- 3) FOR ANCHORING INTO 2X BUCK OR WOOD FRAMING USE #10 WOOD SCREW OF SUFFICIENT LENGTH TO ACHIEVE A 1 3/8" MINIMUM EMBEDMENT INTO SUBSTRATE. LOCATE ANCHORS AS SHOWN IN ANCHORING LAYOUT AND INSTALLATION DETAILS.
- 4) ALL FASTENERS TO BE CORROSION RESISTANT.
- 5) INSTALLATION ANCHORS SHALL BE INSTALLED IN ACCORDANCE WITH ANCHOR MANUFACTURER'S INSTALLATION INSTRUCTIONS, AND ANCHORS SHALL NOT BE USED IN SUBSTRATES WITH STRENGTHS LESS THAN THE MINIMUM STRENGTH SPECIFIED BELOW:
 - A. WOOD – MINIMUM SPECIFIC GRAVITY OF G=0.42
 - B. CONCRETE – MINIMUM COMPRESSIVE STRENGTH OF 3,200 PSI.
 - C. MASONRY – STRENGTH CONFORMANCE TO ASTM C-90, GRADE N, TYPE 1 (OR GREATER).

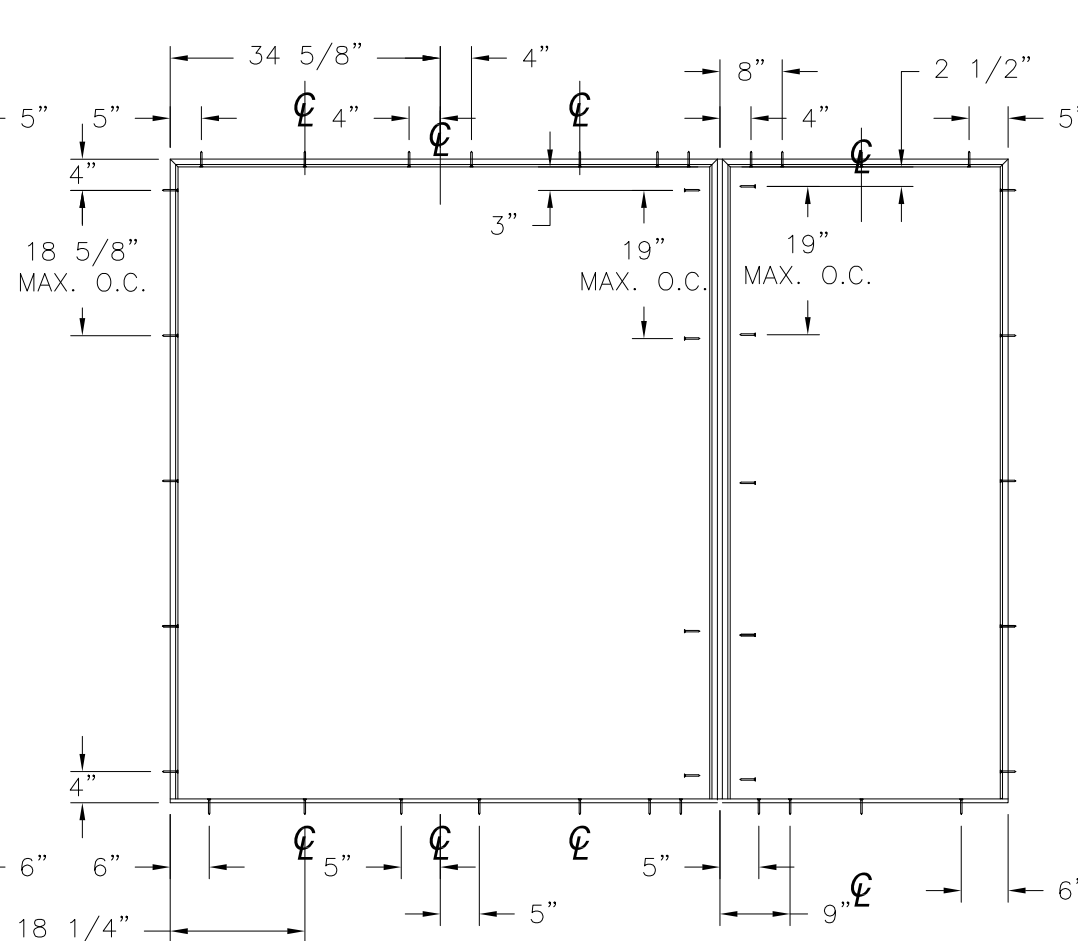
SIGNED: 11/06/2014

NAN YA PLASTICS CORP. USA 8989 NORTH LOOP EAST HOUSTON, TX 77029		
OUT-SWING ENTRANCE DOOR (SLPS) W/ & W/O SIDELITES FIBERGLASS CLAD ANCHORING LAYOUT		
DRAWN: V.L.	DWG NO. 08-01888	REV A
SCALE NTS	DATE 01/07/13	SHEET 3 OF 9

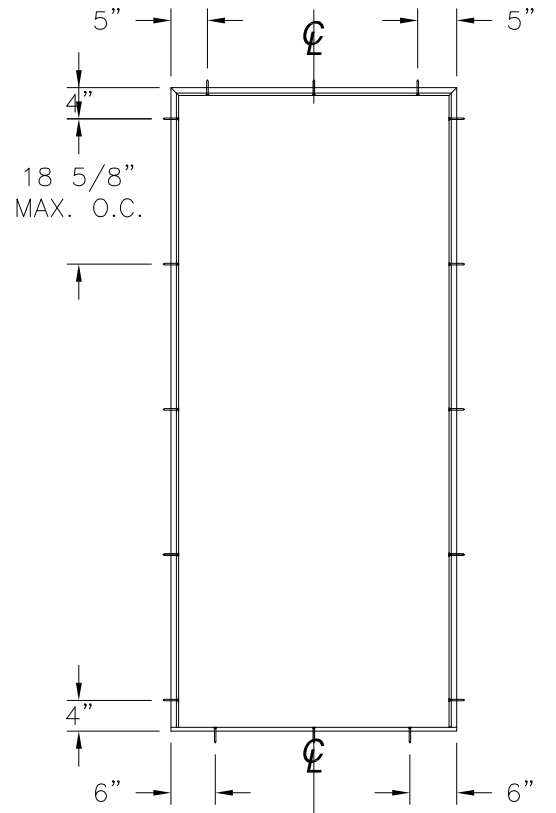




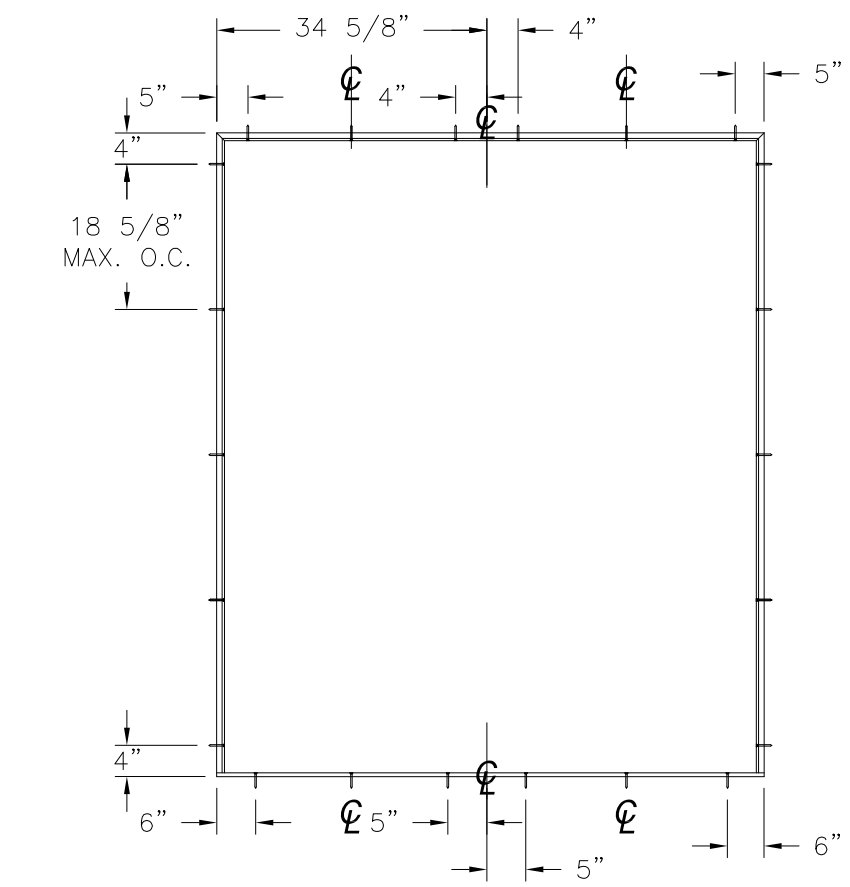
ANCHORING LAYOUT FOR OXO



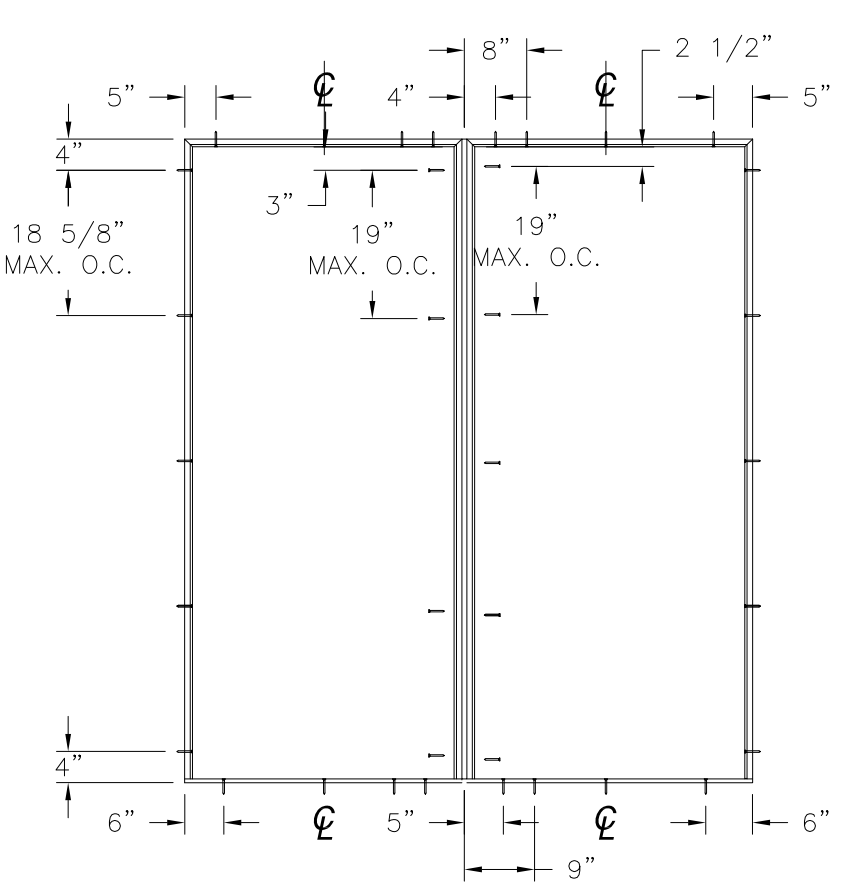
ANCHORING LAYOUT FOR XXO AND OXX



ANCHORING LAYOUT FOR X



ANCHORING LAYOUT FOR XX



ANCHORING LAYOUT FOR OX AND XO

REVISIONS			
REV	DESCRIPTION	DATE	APPROVED
A	ADDED EDGE DISTANCES	11/05/14	R.L

NAN YA PLASTICS CORP. USA
 8989 NORTH LOOP EAST
 HOUSTON, TX 77029

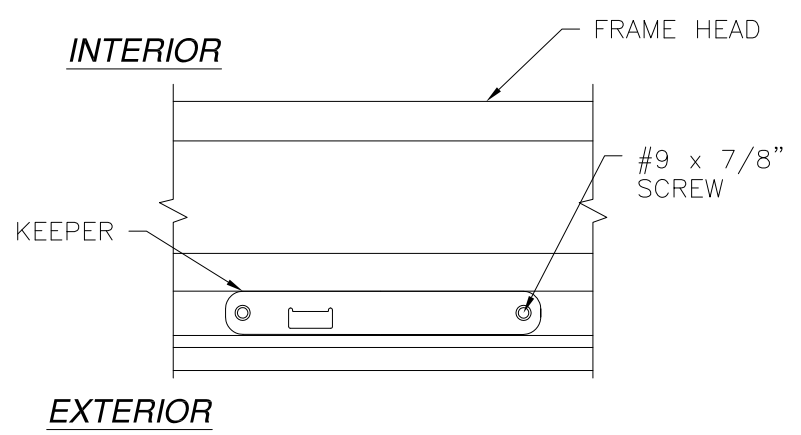
OUT-SWING ENTRANCE DOOR (SLPS)
 W/ & W/O SIDELITES FIBERGLASS CLAD
 ANCHORING LAYOUTS

DRAWN: V.L.	DWG NO. 08-01888	REV A
SCALE NTS	DATE 01/07/13	SHEET 4 OF 9

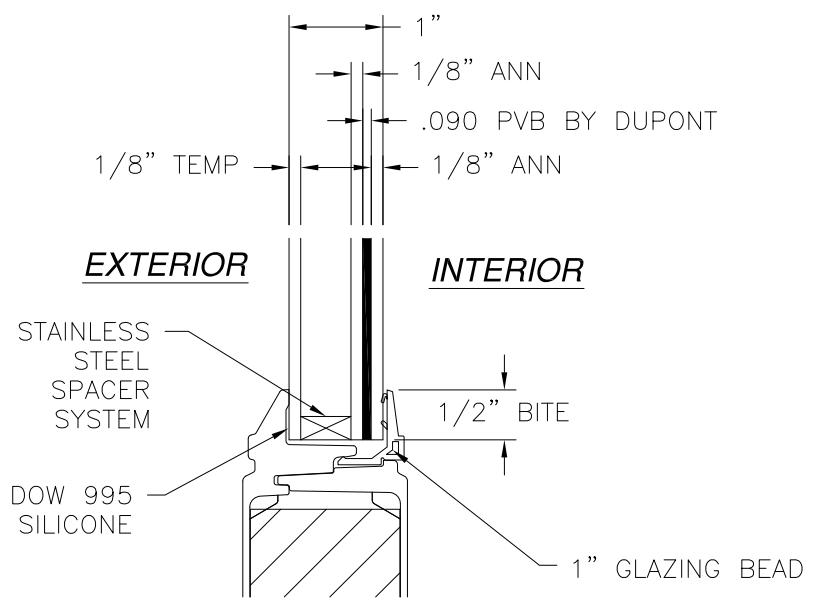
SIGNED: 11/06/2014



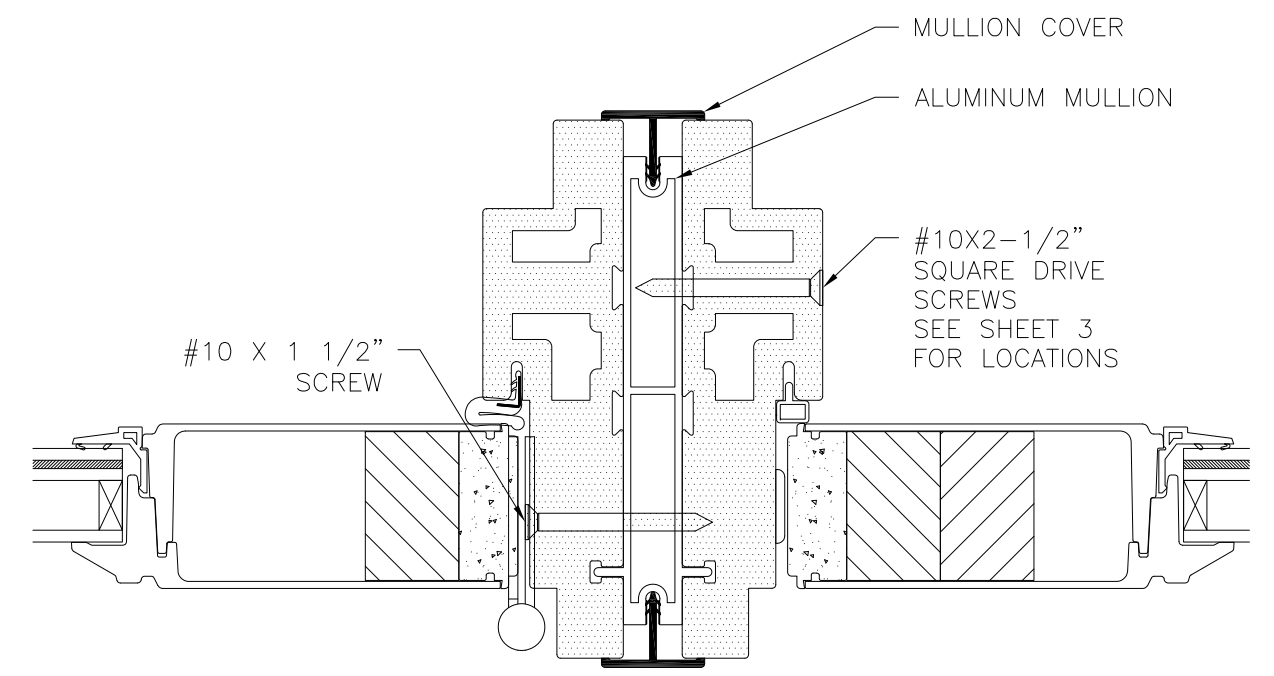
REVISIONS			
REV	DESCRIPTION	DATE	APPROVED
A	ADDED EDGE DISTANCES	11/05/14	R.L



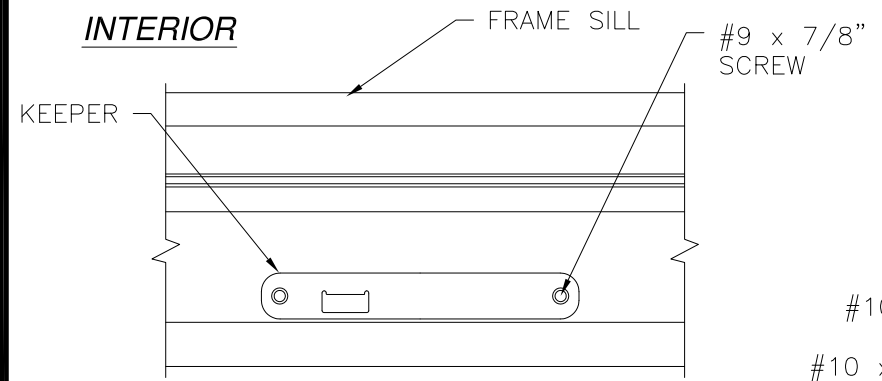
HEAD KEEPER DETAIL



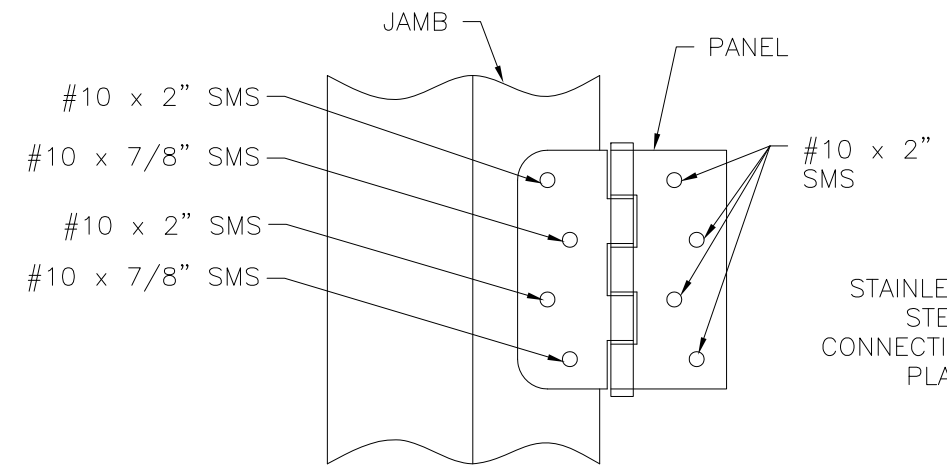
GLAZING DETAIL



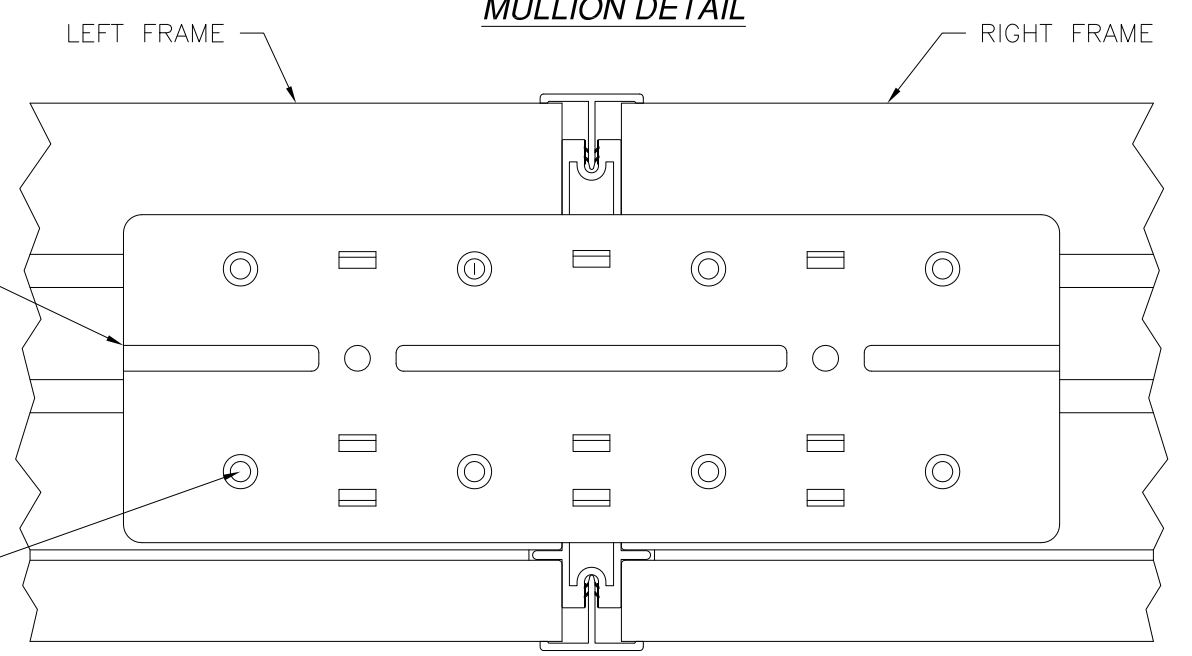
MULLION DETAIL



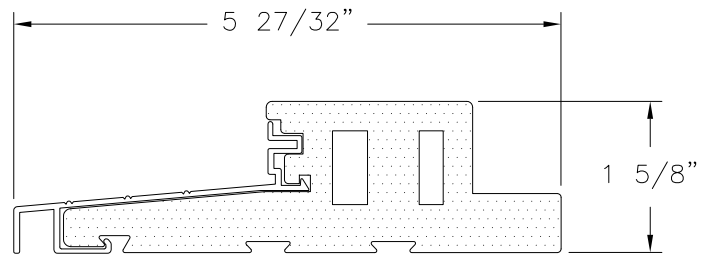
SILL KEEPER DETAIL



HINGE INSTALLATION DETAIL



FRAME CONNECTION DETAIL



OUTSWING DOOR SILL DETAIL

SIGNED: 11/06/2014

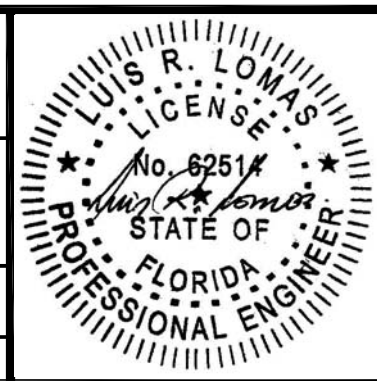
HARDWARE SCHEDULE

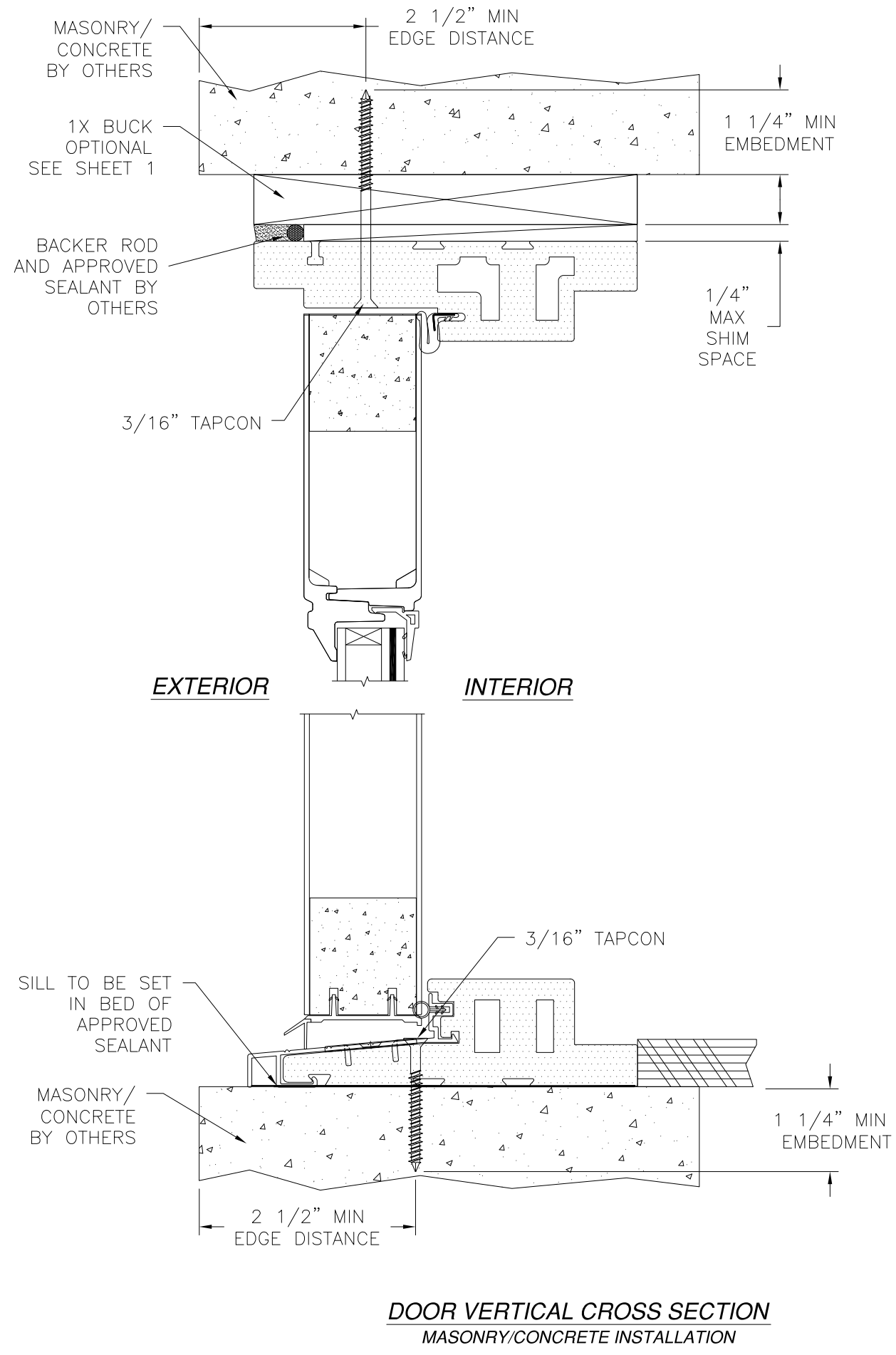
- A. (3) 4" BUTT HINGE
- B. 2 POINT LOCK SYSTEM
- C. RIGID PVC ASTRAGAL WITH ALUMINUM REINFORCEMENT

NAN YA PLASTICS CORP. USA
 8989 NORTH LOOP EAST
 HOUSTON, TX 77029

OUT-SWING ENTRANCE DOOR (SLPS)
 W/ & W/O SIDELITES FIBERGLASS CLAD
 INSTALLATION DETAILS

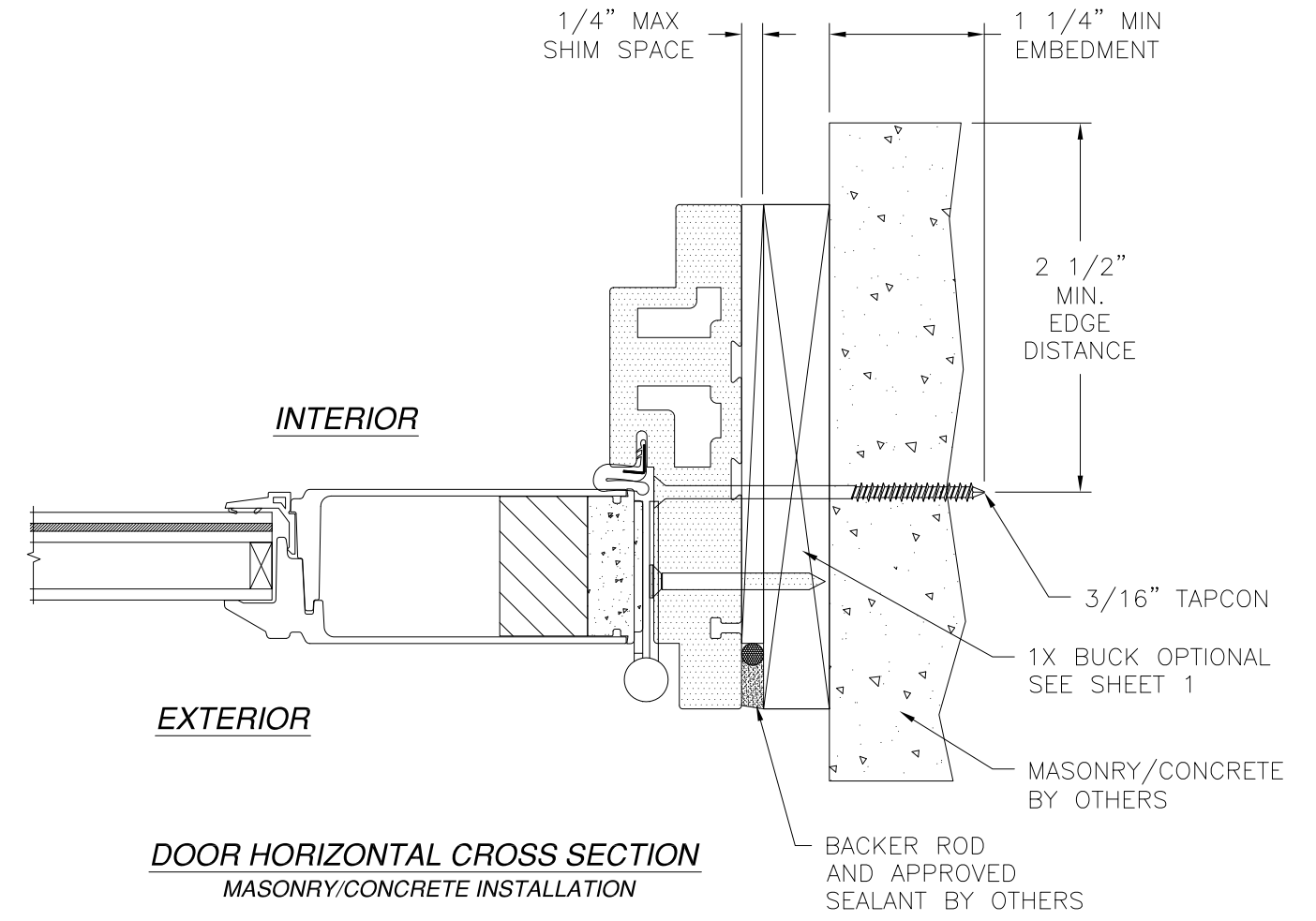
DRAWN: V.L.	DWG NO. 08-01888	REV A
SCALE NTS	DATE 01/07/13	SHEET 5 OF 9





DOOR VERTICAL CROSS SECTION
MASONRY/CONCRETE INSTALLATION

REVISIONS			
REV	DESCRIPTION	DATE	APPROVED
A	ADDED EDGE DISTANCES	11/05/14	R.L



DOOR HORIZONTAL CROSS SECTION
MASONRY/CONCRETE INSTALLATION

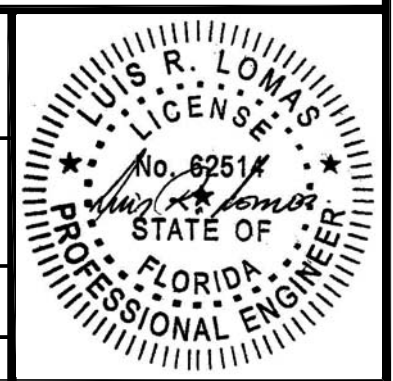
NOTE:
INTERIOR AND EXTERIOR FINISHES, BY OTHERS, NOT SHOWN FOR CLARITY.
ANCHORS MAY BE INSTALLED INSIDE OR OUTSIDE FRAME.

SIGNED: 11/06/2014

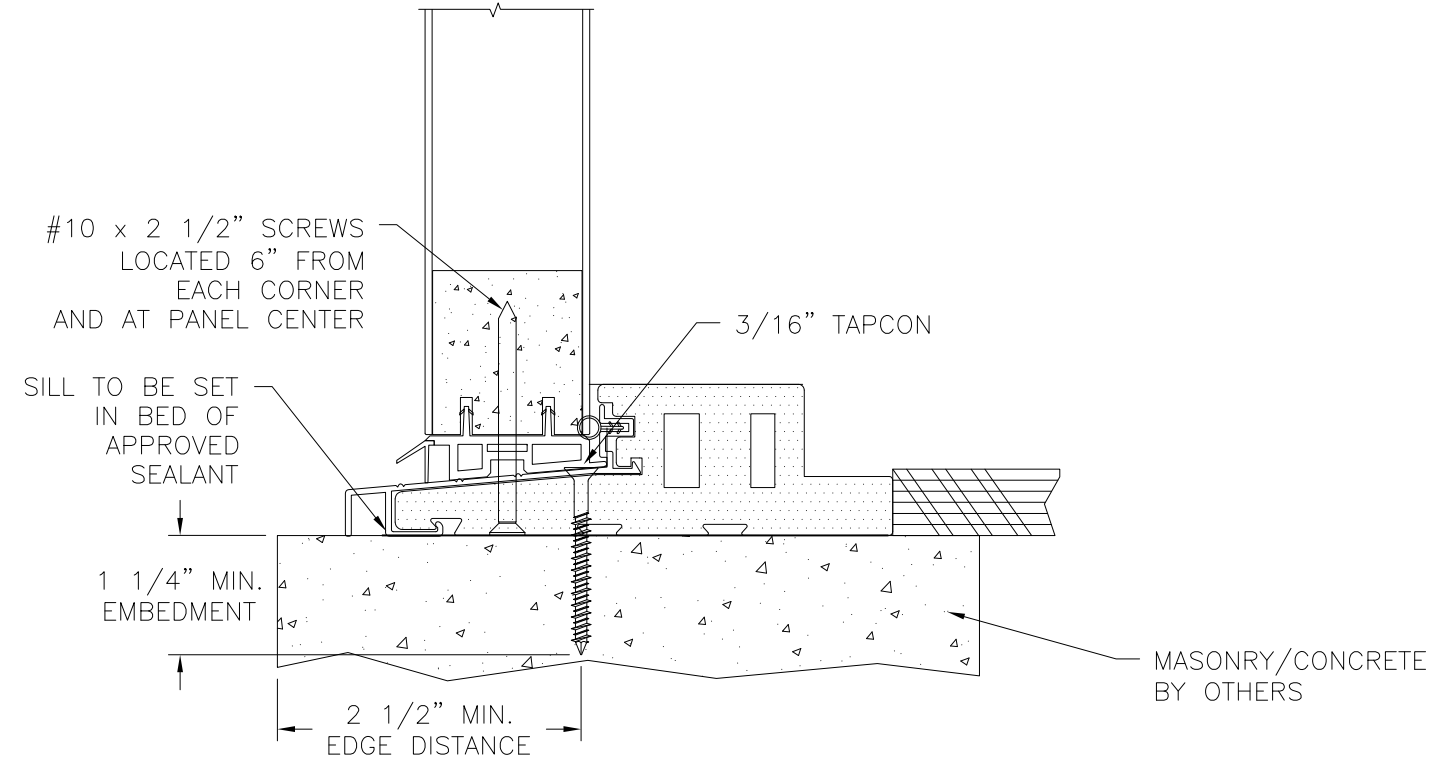
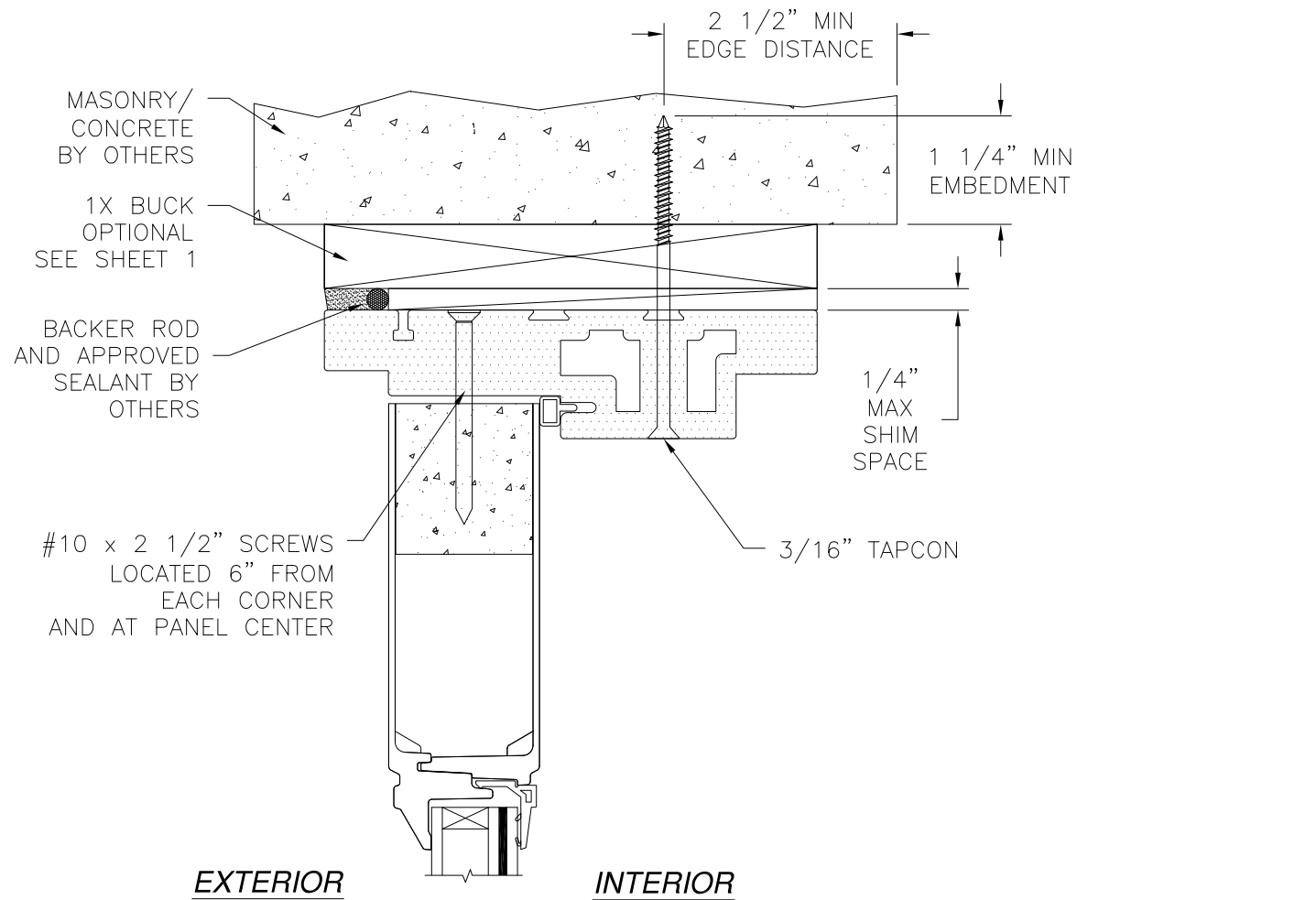
NAN YA PLASTICS CORP. USA
8989 NORTH LOOP EAST
HOUSTON, TX 77029

OUT-SWING ENTRANCE DOOR (SLPS)
W/ & W/O SIDELITES FIBERGLASS CLAD
INSTALLATION DETAILS

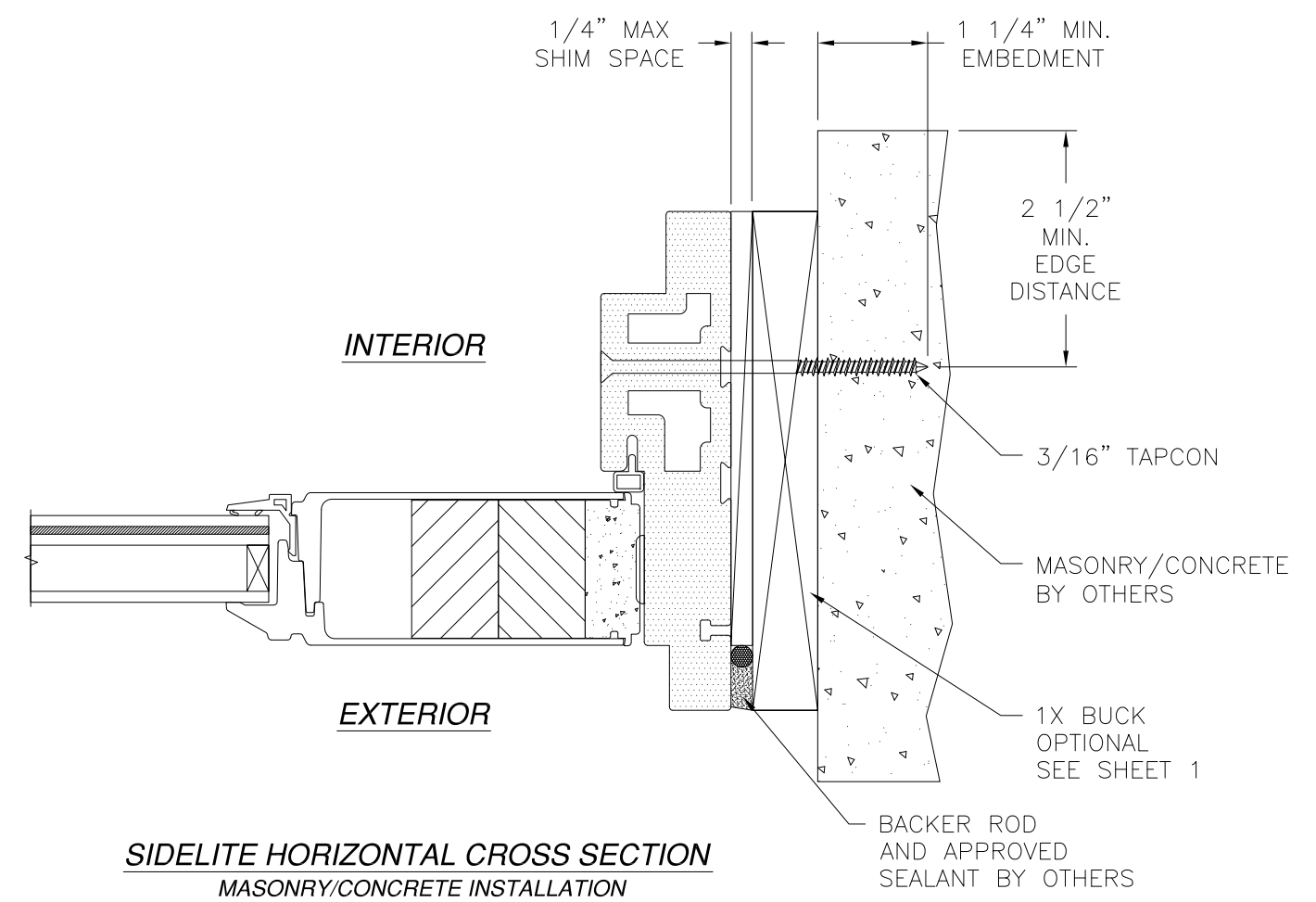
DRAWN: V.L.	DWG NO. 08-01888	REV A
SCALE NTS	DATE 01/07/13	SHEET 6 OF 9



REVISIONS			
REV	DESCRIPTION	DATE	APPROVED
A	ADDED EDGE DISTANCES	11/05/14	R.L.



SIDELITE VERTICAL CROSS SECTION
MASONRY/CONCRETE INSTALLATION



SIDELITE HORIZONTAL CROSS SECTION
MASONRY/CONCRETE INSTALLATION

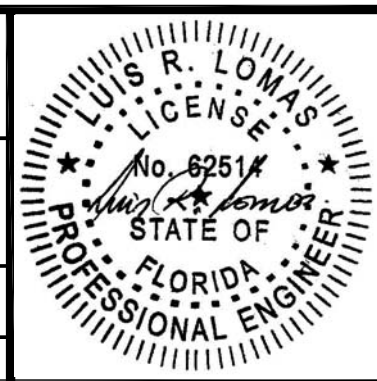
NOTE:
INTERIOR AND EXTERIOR FINISHES, BY OTHERS, NOT SHOWN FOR CLARITY.

SIGNED: 11/06/2014

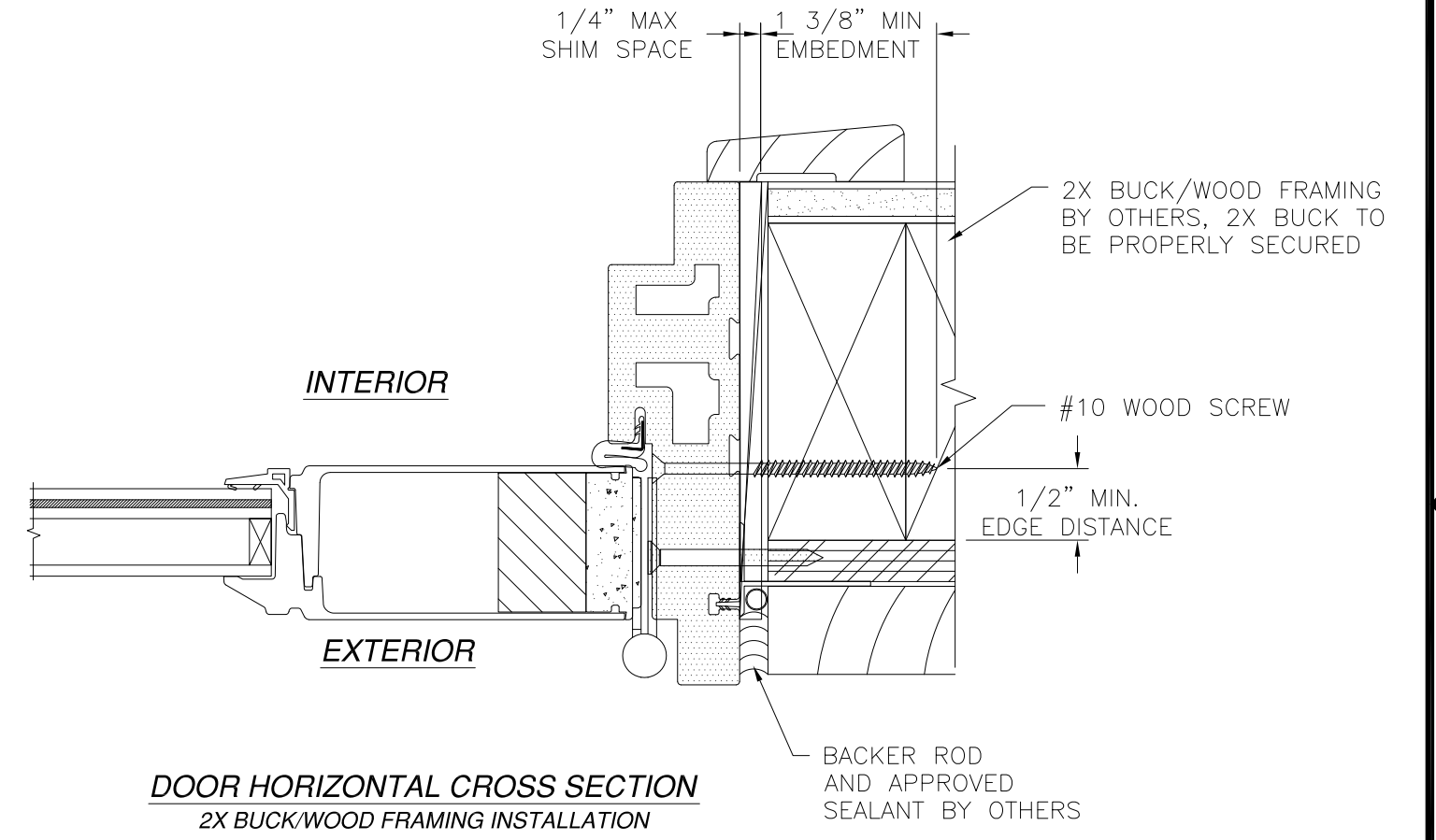
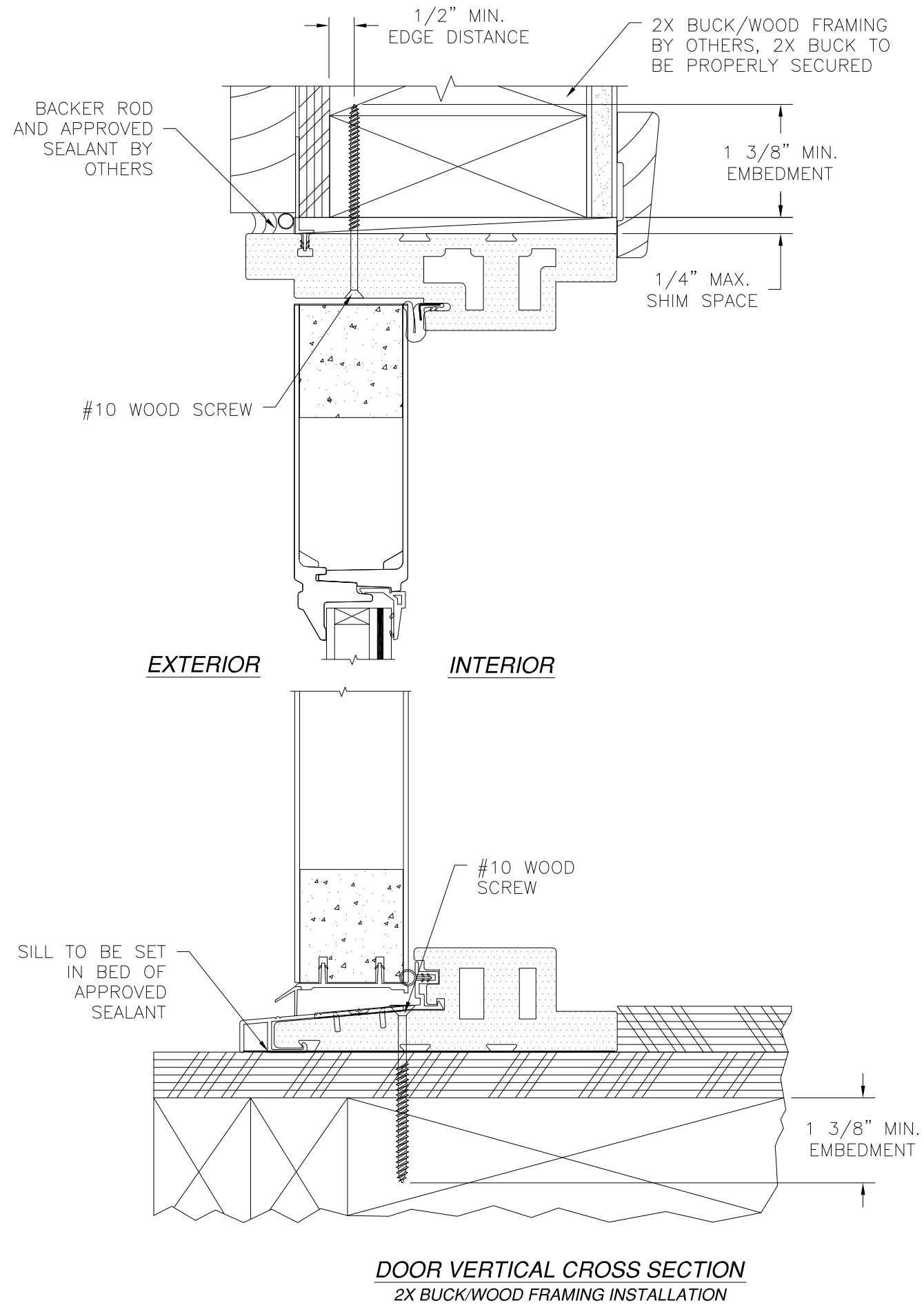
NAN YA PLASTICS CORP. USA
8989 NORTH LOOP EAST
HOUSTON, TX 77029

OUT-SWING ENTRANCE DOOR (SLPS)
W/ & W/O SIDELITES FIBERGLASS CLAD
INSTALLATION DETAILS

DRAWN: V.L.	DWG NO. 08-01888	REV A
SCALE NTS	DATE 01/07/13	SHEET 7 OF 9



REVISIONS			
REV	DESCRIPTION	DATE	APPROVED
A	ADDED EDGE DISTANCES	11/05/14	R.L.



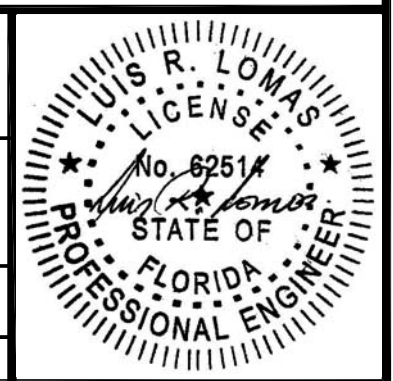
NOTE:
 INTERIOR AND EXTERIOR FINISHES, BY OTHERS, NOT SHOWN FOR CLARITY.
 ANCHORS MAY BE INSTALLED INSIDE OR OUTSIDE FRAME.

SIGNED: 11/06/2014

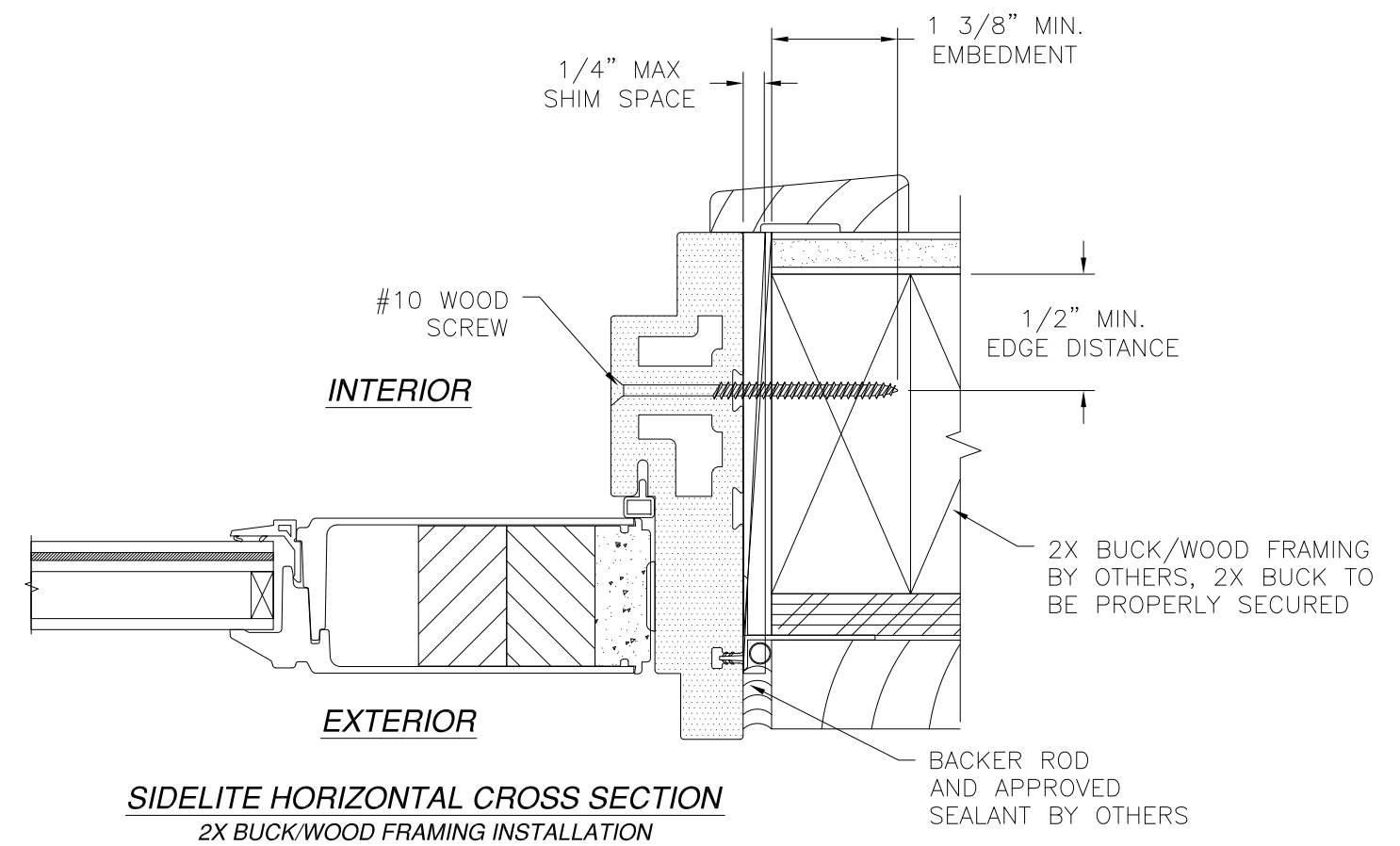
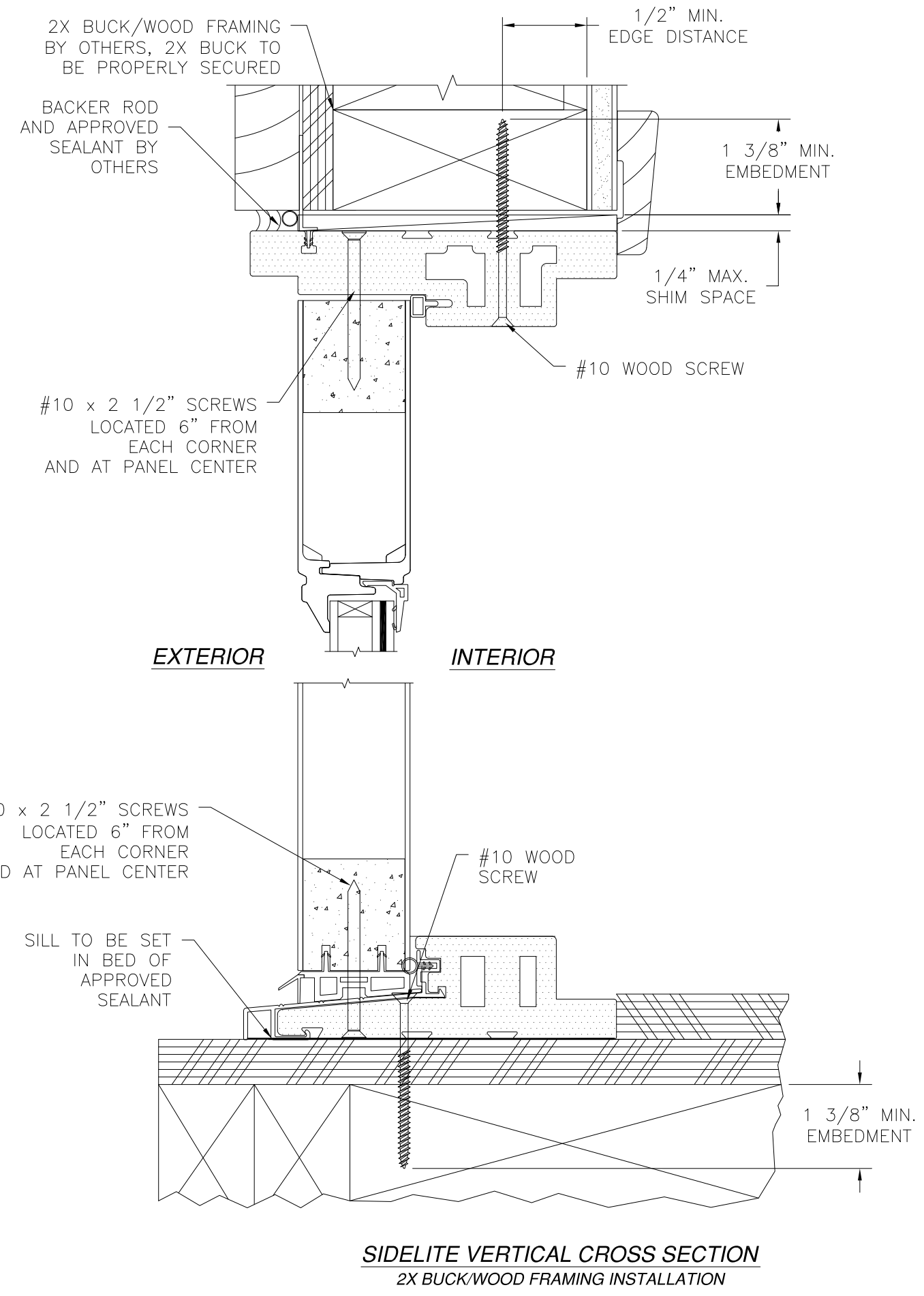
NAN YA PLASTICS CORP. USA
 8989 NORTH LOOP EAST
 HOUSTON, TX 77029

OUT-SWING ENTRANCE DOOR (SLPS)
 W/ & W/O SIDELITES FIBERGLASS CLAD
 INSTALLATION DETAILS

DRAWN: V.L.	DWG NO. 08-01888	REV A
SCALE NTS	DATE 01/07/13	SHEET 8 OF 9



REVISIONS			
REV	DESCRIPTION	DATE	APPROVED
A	ADDED EDGE DISTANCES	11/05/14	R.L.



SIGNED: 11/06/2014

NAN YA PLASTICS CORP. USA
8989 NORTH LOOP EAST
HOUSTON, TX 77029

OUT-SWING ENTRANCE DOOR (SLPS)
W/ & W/O SIDELITES FIBERGLASS CLAD
INSTALLATION DETAILS

DRAWN: V.L.	DWG. NO. 08-01888	REV A
SCALE NTS	DATE 01/07/13	SHEET 9 OF 9

