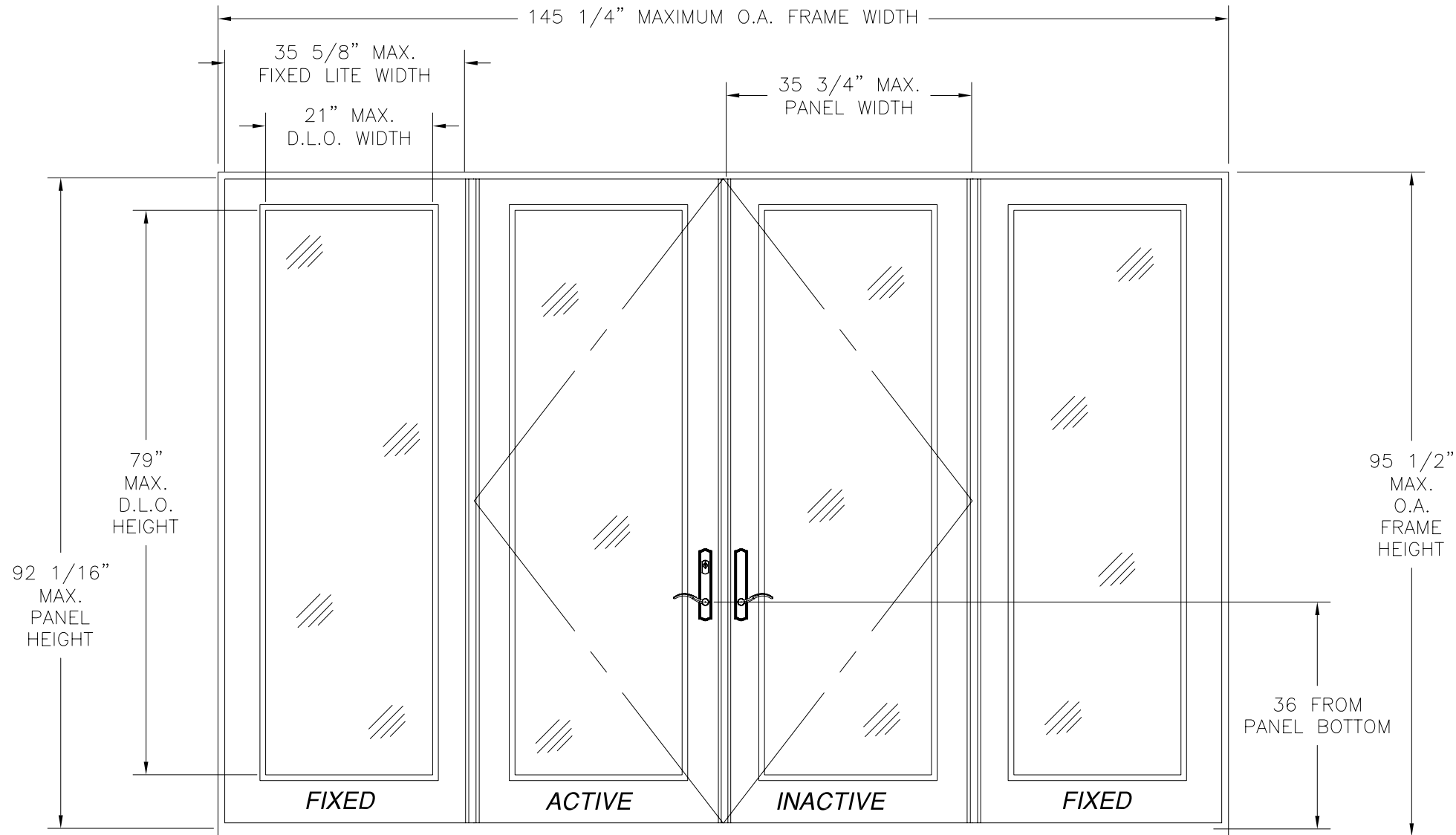


REVISIONS			
REV	DESCRIPTION	DATE	APPROVED



DISTINCTION IS FIBERGLASS GLAZED PATIO DOOR

EXTERIOR VIEW

DESIGN PRESSURE RATING	IMPACT RATING
±30PSF	NONE

NOTES:

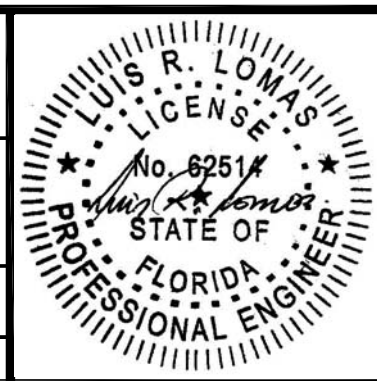
- 1) THE PRODUCT SHOWN HEREIN IS DESIGNED AND MANUFACTURED TO COMPLY WITH REQUIREMENTS OF FLORIDA BUILDING CODE.
- 2) WOOD FRAMING OPENING TO BE DESIGNED AND ANCHORED TO PROPERLY TRANSFER ALL LOADS TO STRUCTURE. WOOD FRAMING OPENING IS THE RESPONSIBILITY OF THE ARCHITECT OR ENGINEER OF RECORD.
- 3) APPROVED IMPACT PROTECTIVE SYSTEM IS REQUIRED FOR THIS PRODUCT IN WIND BORNE DEBRIS REGIONS.
- 4) UNITS MUST BE GLAZED PER ASTM E1300.
- 5) ALLOWABLE STRESS INCREASE OF 1/3 WAS NOT USED IN THE DESIGN OF THE PRODUCT SHOWN HEREIN. WIND LOAD DURATION FACTOR Cd=1.6 WAS USED FOR WOOD ANCHOR CALCULATIONS.
- 6) SHIM AS REQUIRED AT EACH INSTALLATION ANCHOR WITH LOAD BEARING SHIM. SHIM WHERE SPACE OF 1/16" OR GREATER OCCURS. MAXIMUM ALLOWABLE SHIM STACK TO BE 1/4".
- 7) FOR ANCHORING INTO 2X BUCK OR WOOD FRAMING USE #10 WOOD SCREW OF SUFFICIENT LENGTH TO ACHIEVE A 1 3/8" MINIMUM EMBEDMENT INTO SUBSTRATE. LOCATE ANCHORS AS SHOWN IN ANCHORING LAYOUT AND INSTALLATION DETAILS.
- 8) ALL FASTENERS TO BE CORROSION RESISTANT.
- 9) INSTALLATION ANCHOR CAPACITIES FOR PRODUCTS HEREIN ARE BASED ON SUBSTRATE MATERIAL WITH THE FOLLOWING PROPERTIES:
A. WOOD - G=0.42 MINIMUM SPECIFIC GRAVITY
- 10) FRAME JAMB AND HEAD MATERIAL: CO-EXTRUDED PVC FOAM 1 1/2" THICK.
- 11) FRAME SILL MATERIAL: CO-EXTRUDED PVC FOAM 2" THICK WITH ALUMINUM CLADDING .063" THICK.
- 12) DOOR PANEL AND SIDELITE MATERIAL: .075" THICK FIBERGLASS SKIN WITH PVC FOAM TOP AND BOTTOM RAILS, AND PVC FOAM VERTICAL STILES WITH PINE REINFORCEMENTS AND POLYURETHANE FOAM CORE.
- 13) APPROVED CONFIGURATIONS: X, OX, XO, OO, XX, OXO, XXO, OXX, OOO AND OXXO. SEE SHEET 2.
- 14) HINGE LOCATION: (2) FROM TOP OF PANEL DOWN AT 8" AND 33 1/4" AND (2) FROM BOTTOM OF PANEL UP AT 8 1/2" AND 34".

TABLE OF CONTENTS	
SHEET NO.	DESCRIPTION
1	ELEVATION AND NOTES
2	ADDITIONAL CONFIGURATIONS AND HARDWARE
3	ANCHORING LAYOUTS
4 - 5	INSTALLATION DETAILS

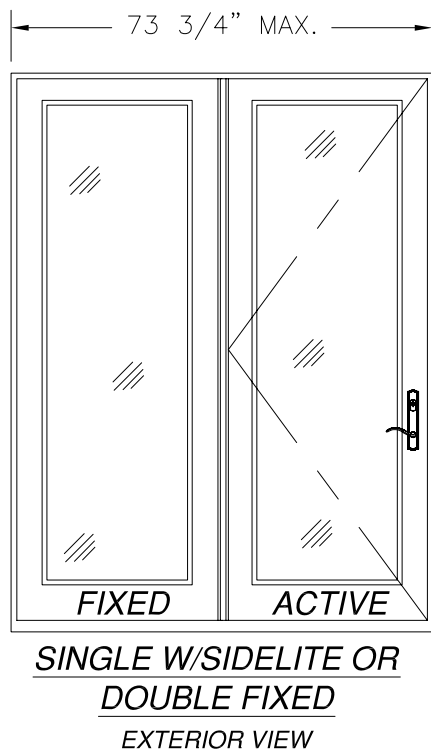
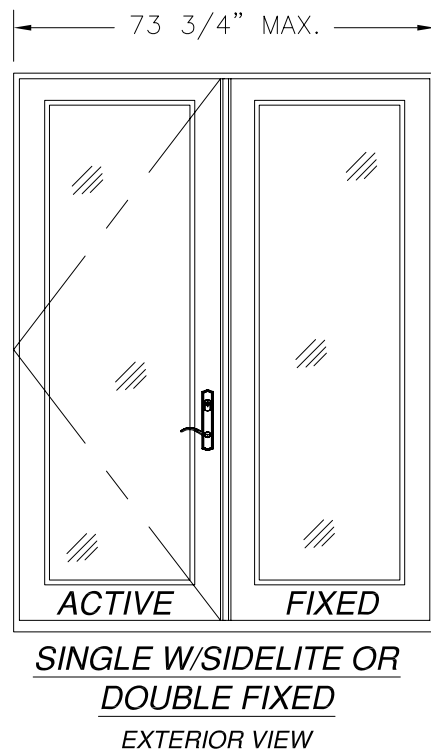
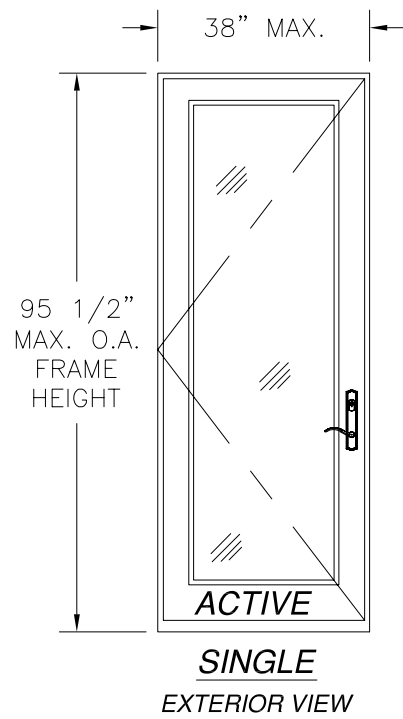
NAN YA PLASTICS CORP. USA
 8989 NORTH LOOP EAST
 HOUSTON, TX 77029

DISTINCTION IS FIBERGLASS GLAZED PATIO DOOR WITH AND WITHOUT SIDELITES OXXO ELEVATION AND NOTES

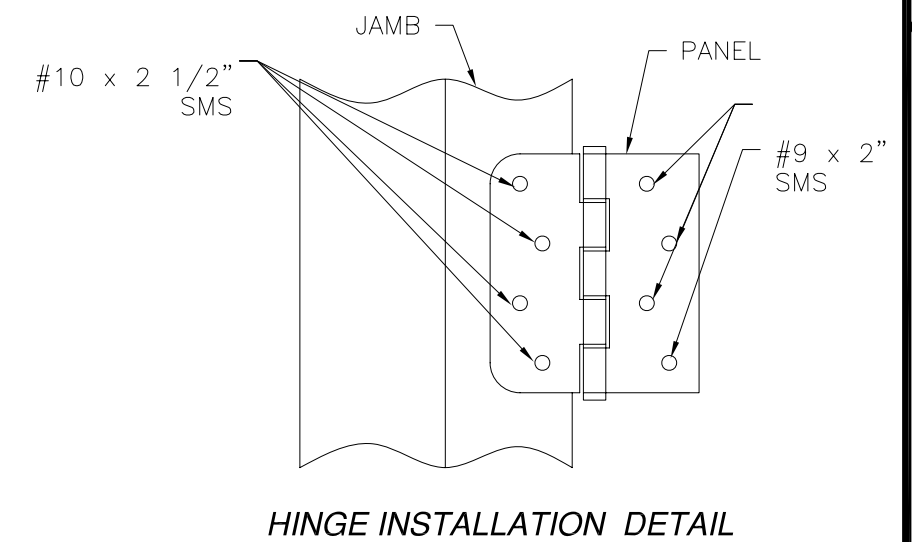
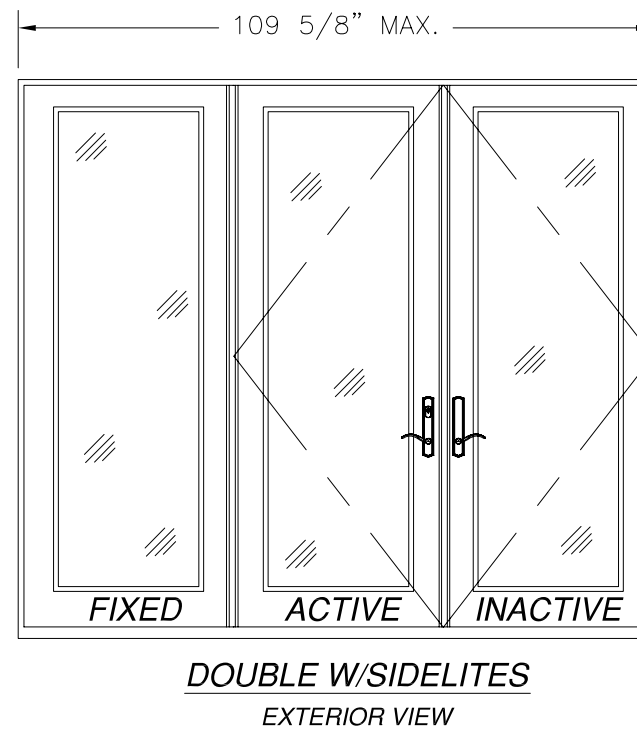
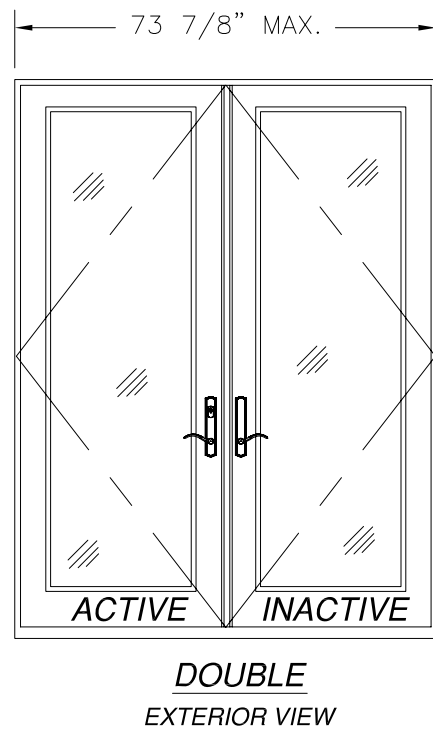
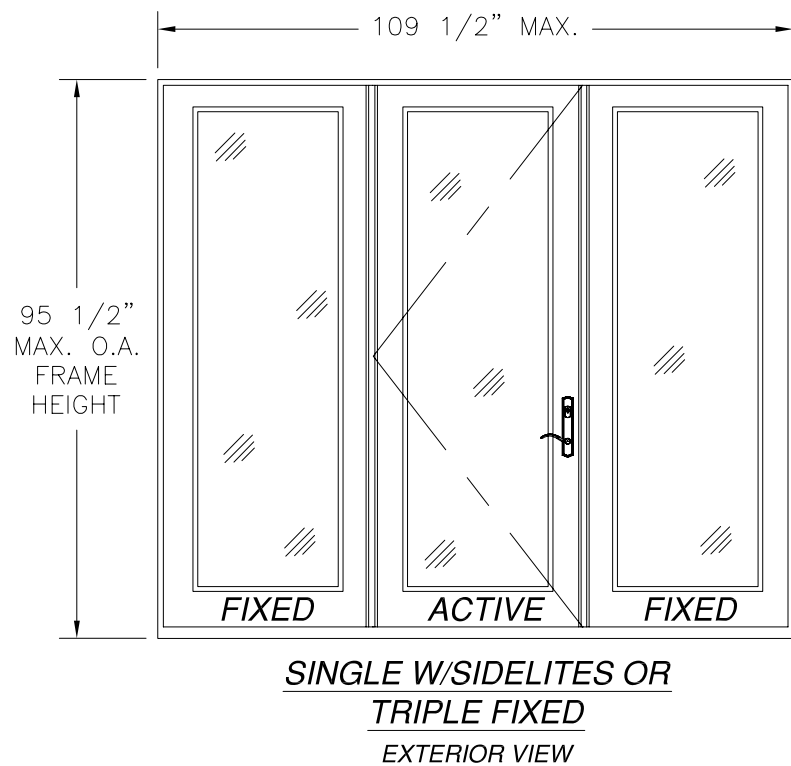
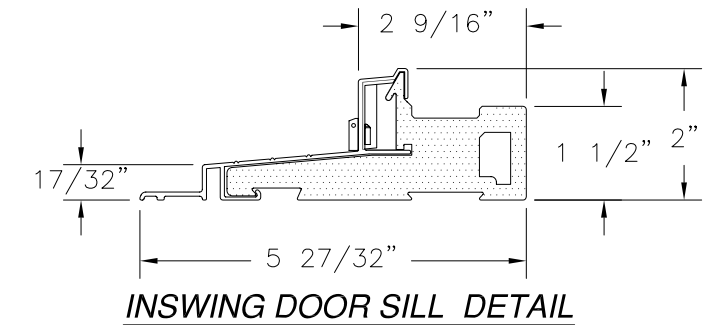
DRAWN: TJH	DWG NO. 08-00768	REV -
SCALE NTS	DATE 07/01/09	SHEET 1 OF 5



REVISIONS			
REV	DESCRIPTION	DATE	APPROVED



HARDWARE SCHEDULE	
A.	3-POINT LOCK HANDLE ASSEMBLY NINGBO MICOTA LOCKS
B.	(4) 4" x 4" BUTT HINGES BY WENZHOU LONGTAI HINGES
C.	EXTRUDED ALUMINUM & PVC FOAM ASTRAGAL BY NAN YA PLASTICS
D.	EXTRUDED ALUMINUM & PVC FOAM MULLION BY NAN YA PLASTICS

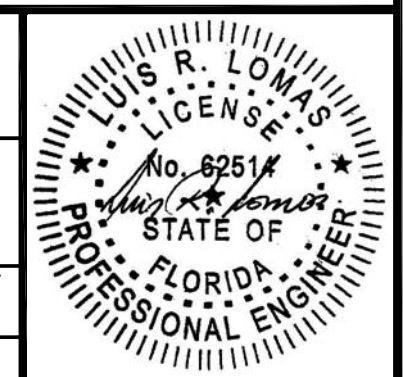


NOTE:
ALL APPROVED CONFIGURATIONS ARE SHOWN AS LEFT HAND ACTIVE, RIGHT HAND ACTIVE IS ALSO APPROVED.

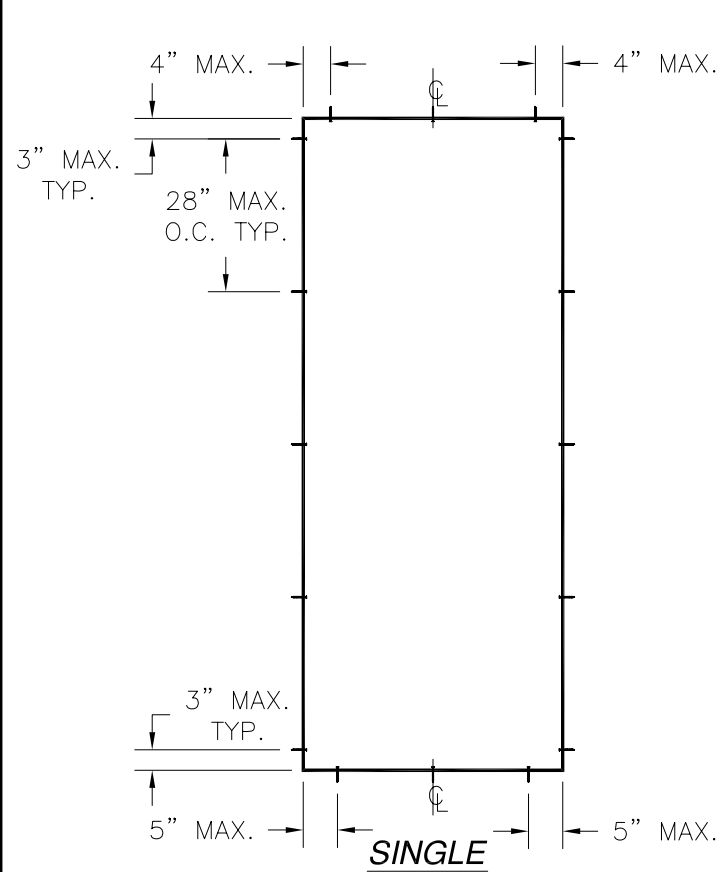
NAN YA PLASTICS CORP. USA
8989 NORTH LOOP EAST
HOUSTON, TX 77029

DISTINCTION IS FIBERGLASS GLAZED PATIO DOOR WITH AND WITHOUT SIDELITES
ADDITIONAL CONFIGURATIONS AND HARDWARE

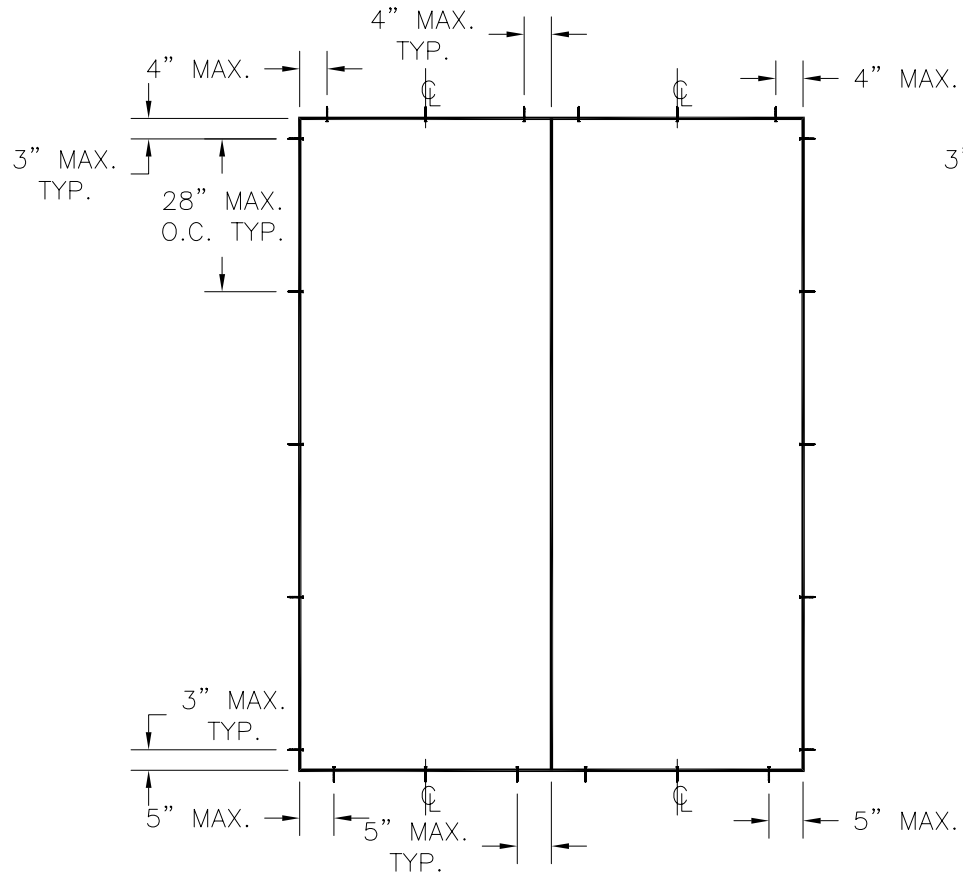
DRAWN: TJH	DWG. NO. 08-00768	REV -
SCALE NTS	DATE 07/01/09	SHEET 2 OF 5



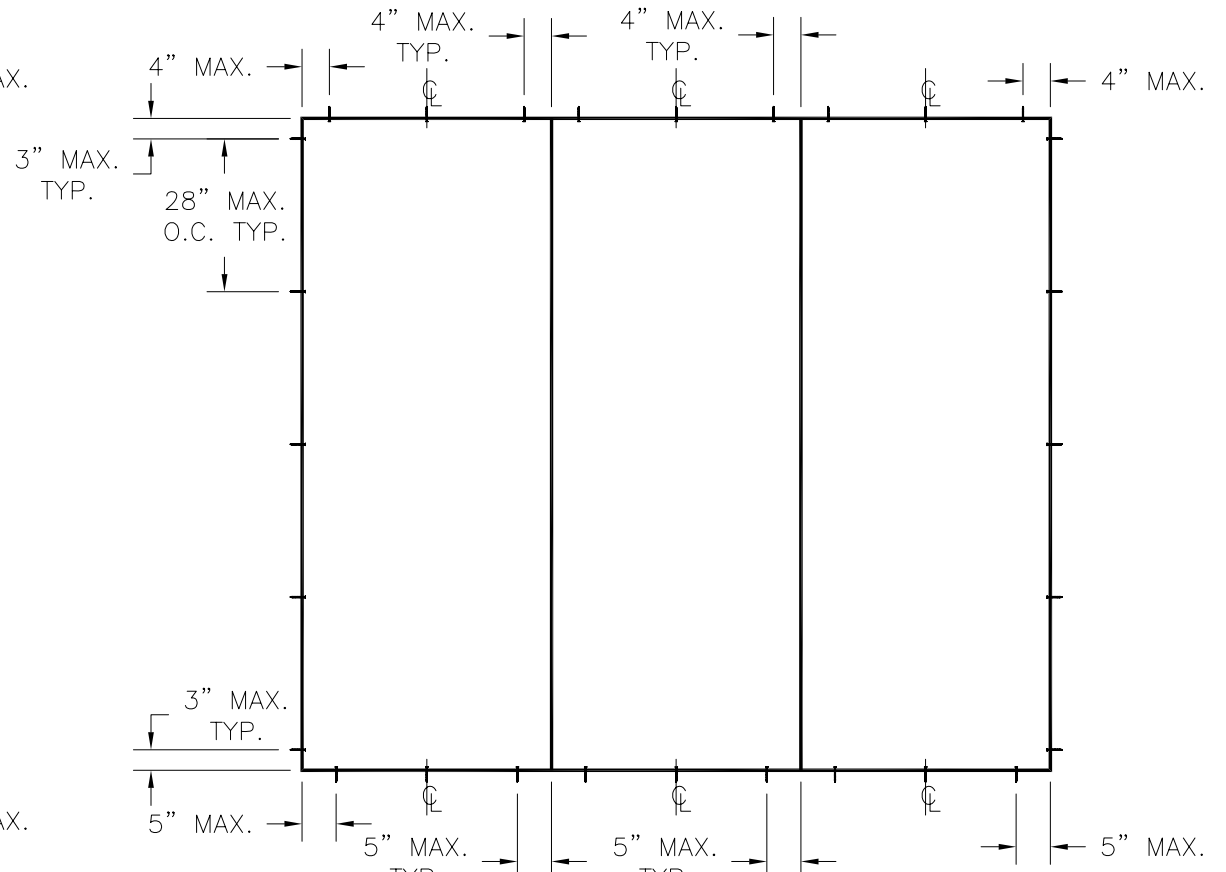
REVISIONS			
REV	DESCRIPTION	DATE	APPROVED



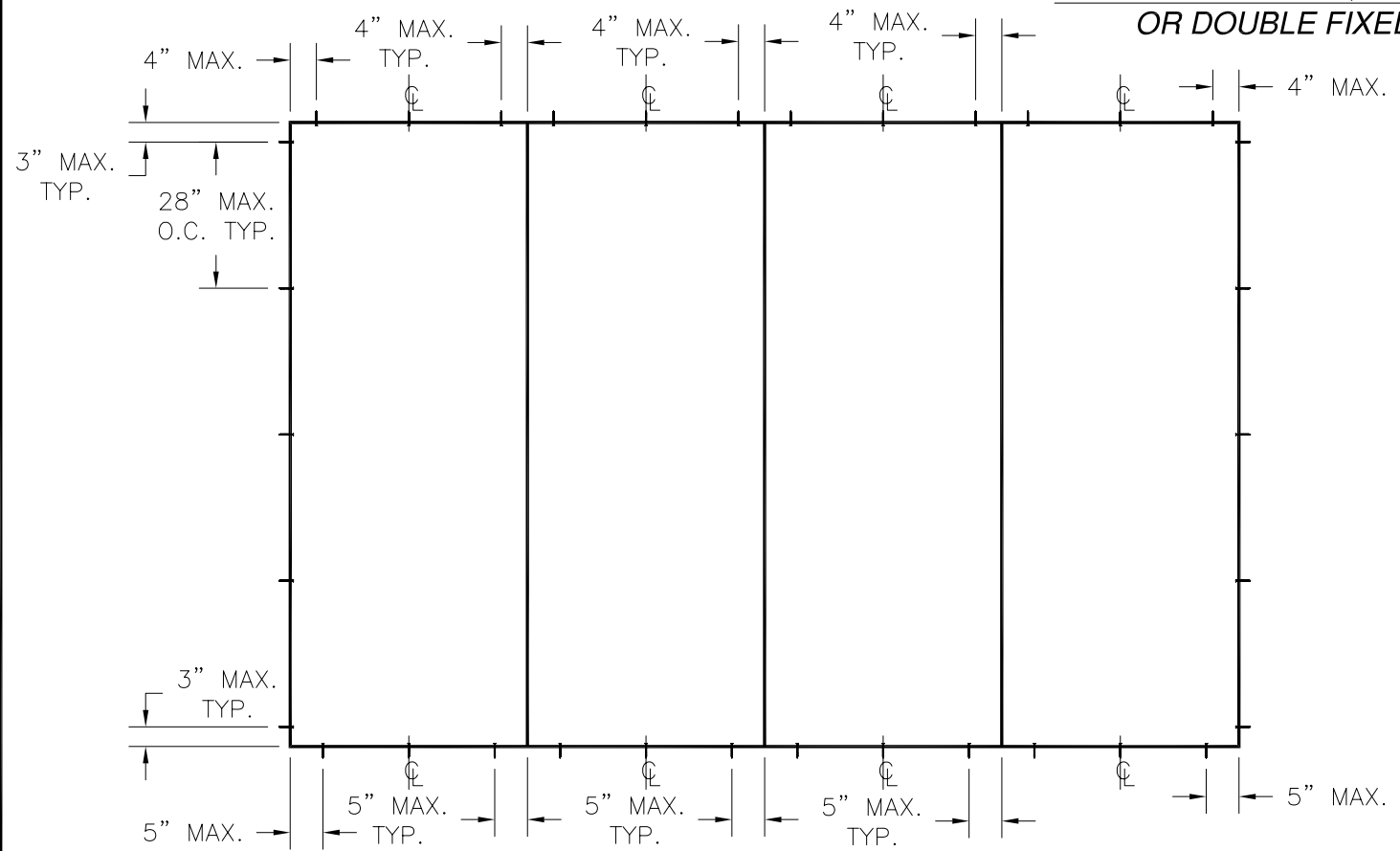
SINGLE



SINGLE W/SIDELITE, DOUBLE OR DOUBLE FIXED



SINGLE W/SIDELITES, DOUBLE W/SIDELITE OR TRIPLE FIXED

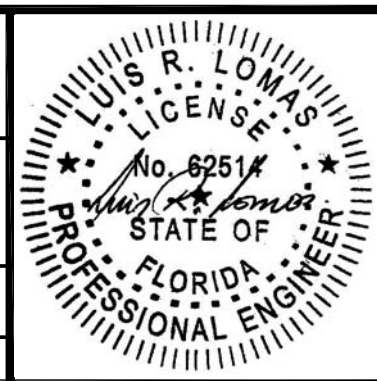


DOUBLE W/SIDELITES

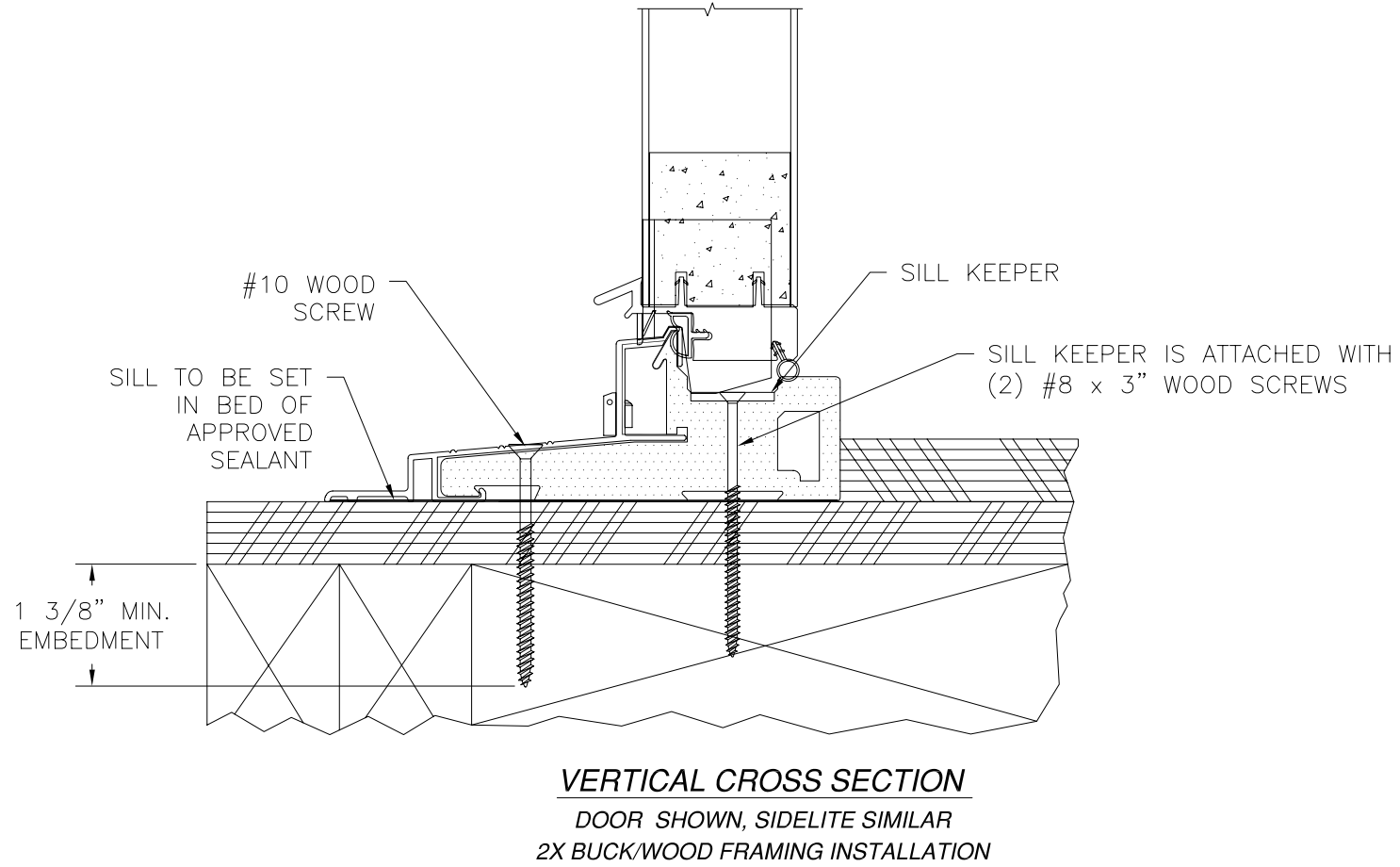
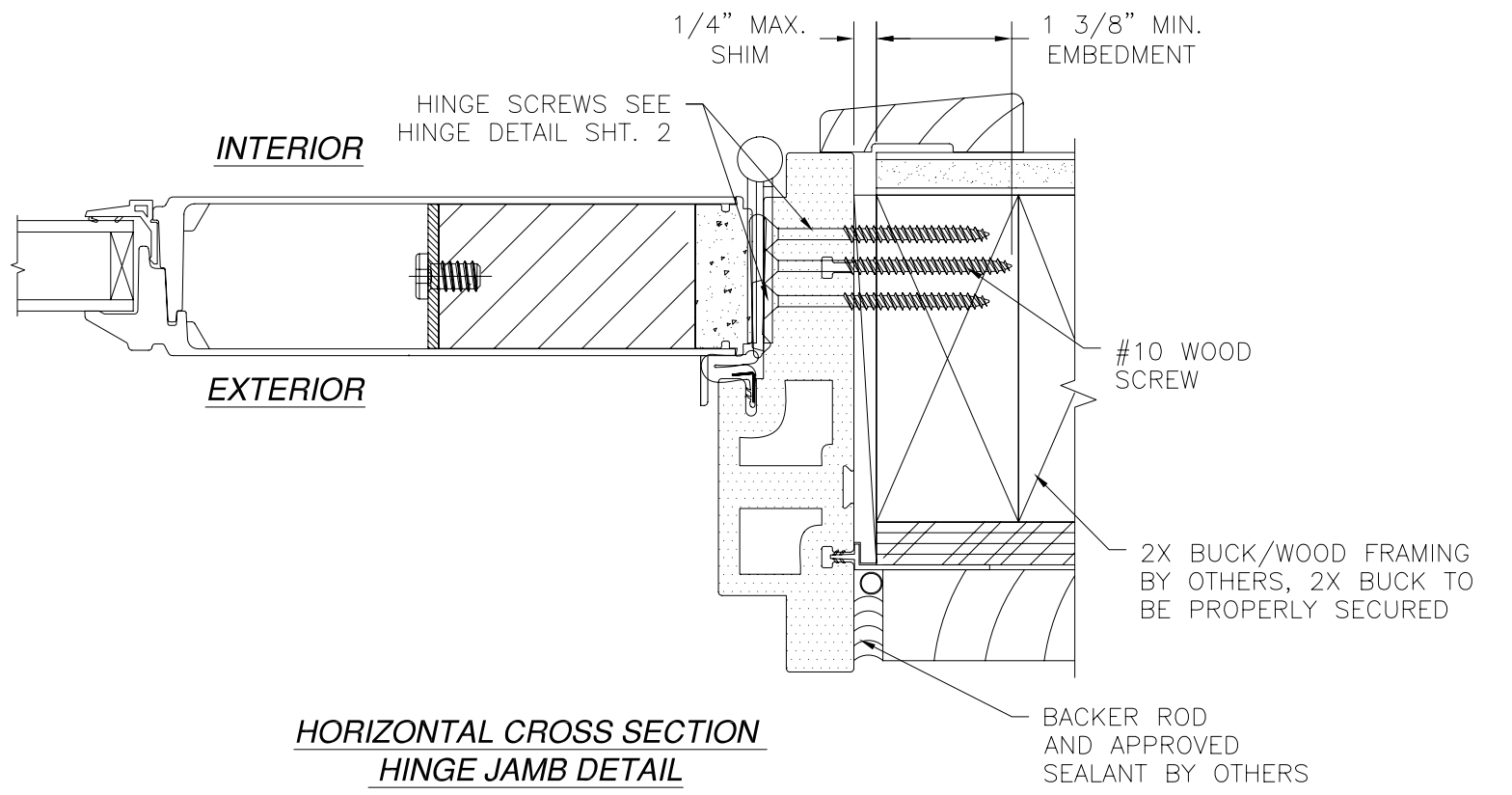
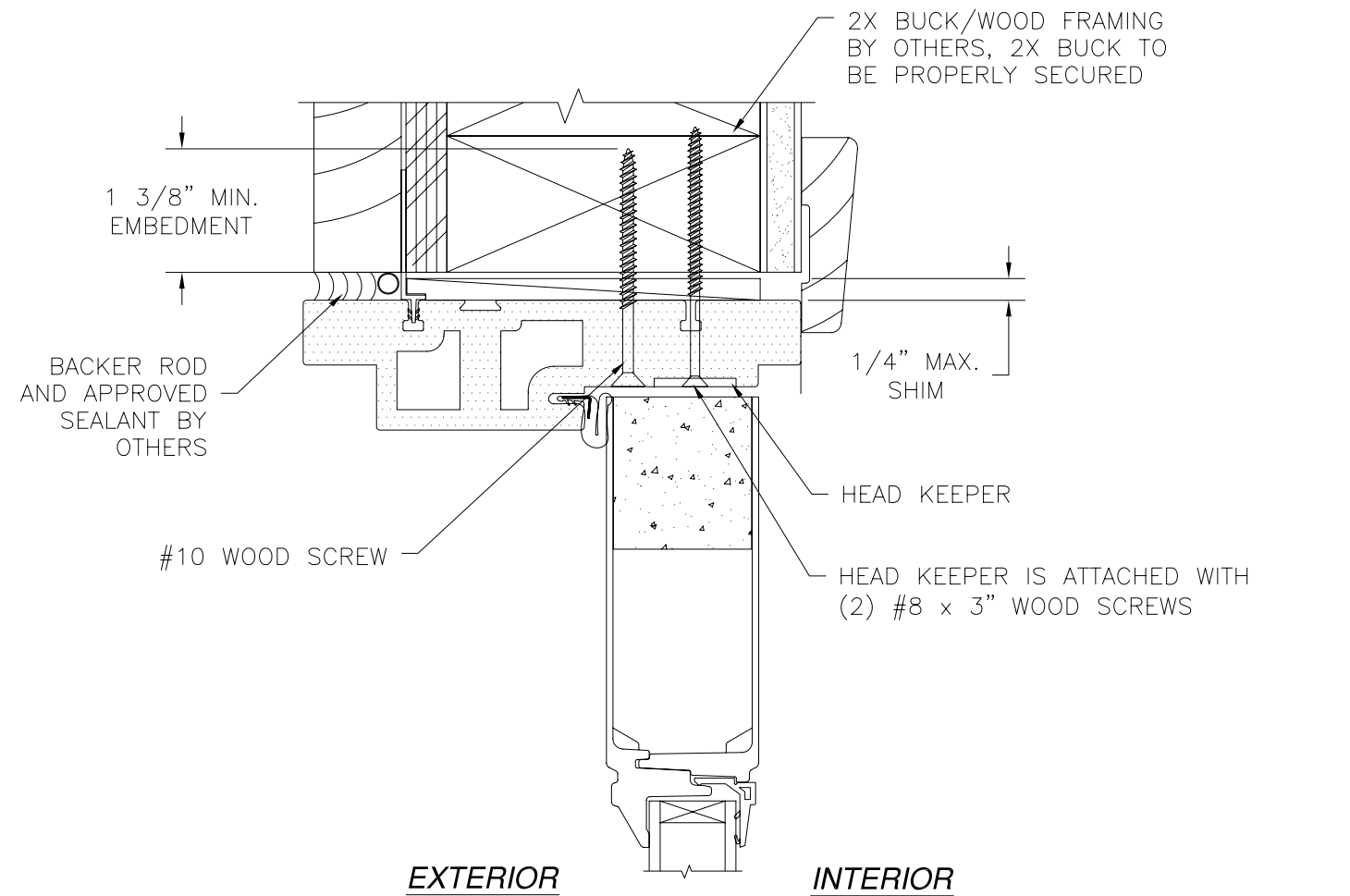
NAN YA PLASTICS CORP. USA
 8989 NORTH LOOP EAST
 HOUSTON, TX 77029

DISTINCTION IS FIBERGLASS GLAZED PATIO DOOR
 WITH AND WITHOUT SIDELITES
 ANCHORING LAYOUTS

DRAWN: TJH	DWG NO. 08-00768	REV -
SCALE NTS	DATE 07/01/09	SHEET 3 OF 5



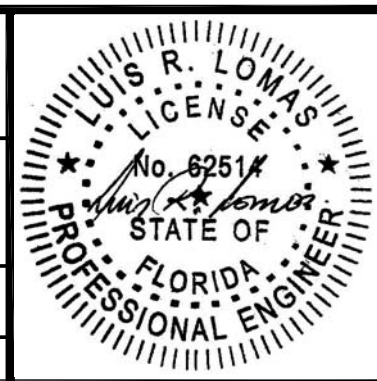
REVISIONS			
REV	DESCRIPTION	DATE	APPROVED



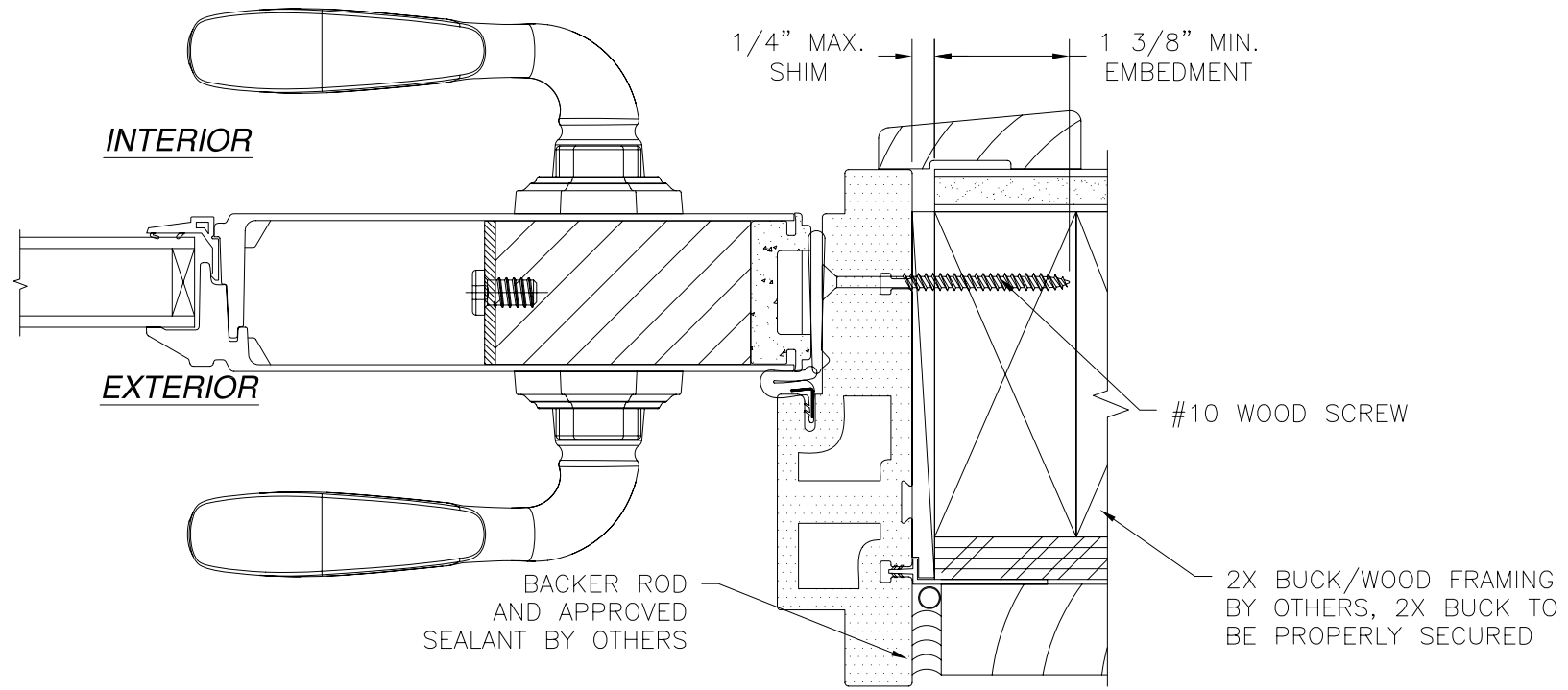
NAN YA PLASTICS CORP. USA
8989 NORTH LOOP EAST
HOUSTON, TX 77029

DISTINCTION IS FIBERGLASS GLAZED PATIO DOOR WITH AND WITHOUT SIDELITES INSTALLATION DETAILS

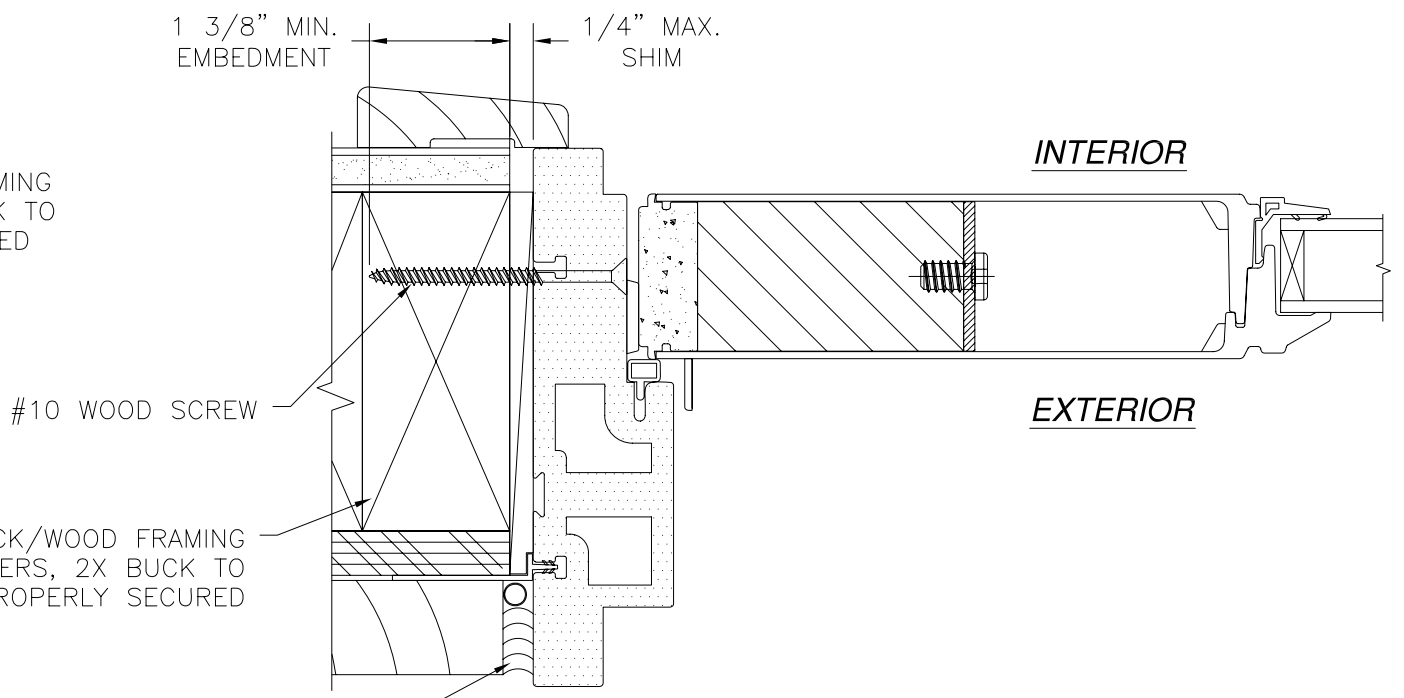
DRAWN: TJH	DWG NO. 08-00768	REV -
SCALE NTS	DATE 07/01/09	SHEET 4 OF 5



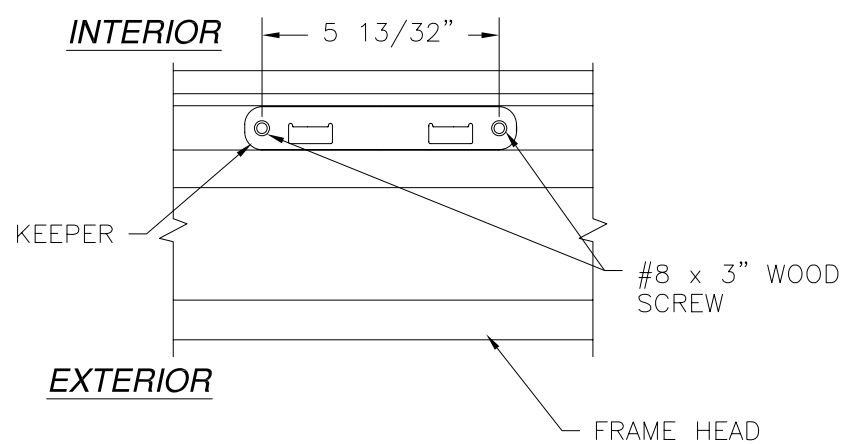
REVISIONS			
REV	DESCRIPTION	DATE	APPROVED



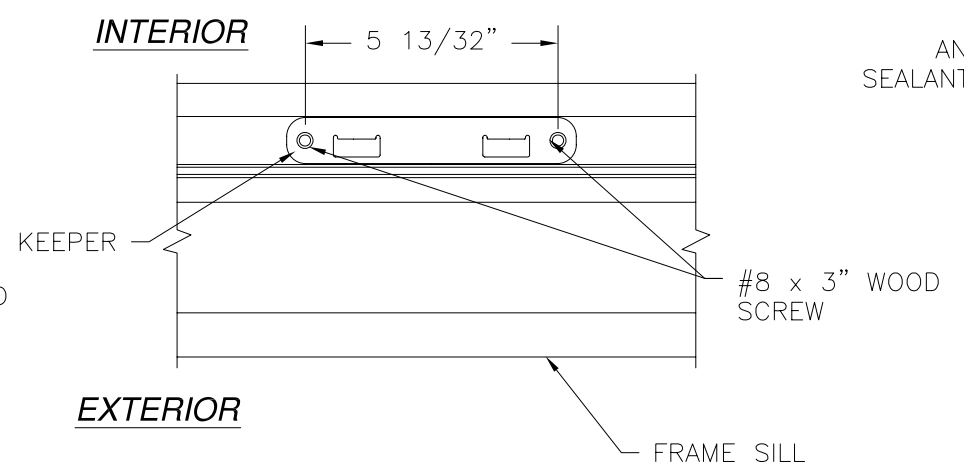
**HORIZONTAL CROSS SECTION
STRIKE JAMB DETAIL**
2X BUCK/WOOD FRAMING INSTALLATION



**HORIZONTAL CROSS SECTION
SIDELITE JAMB DETAIL**
2X BUCK/WOOD FRAMING INSTALLATION



HEAD KEEPER DETAIL



SILL KEEPER DETAIL

NAN YA PLASTICS CORP. USA
8989 NORTH LOOP EAST
HOUSTON, TX 77029

DISTINCTION IS FIBERGLASS GLAZED PATIO DOOR
WITH AND WITHOUT SIDELITES
INSTALLATION DETAILS

DRAWN: TJH	DWG. NO. 08-00768	REV -
SCALE NTS	DATE 07/01/09	SHEET 5 OF 5

