

NEUMA CLASSIC PVC INSWING GLAZED PATIO DOOR
EXTERIOR VIEW

WHERE WATER RESISTANCE IS REQUIRED

DESIGN PRESSURE RATING	IMPACT RATING
+35.0 PSF - 50.0 PSF	NONE

WHERE WATER RESISTANCE IS NOT REQUIRED

DESIGN PRESSURE RATING	IMPACT RATING
+40.0 PSF - 50.0 PSF	NONE

REVISIONS			
REV	DESCRIPTION	DATE	APPROVED

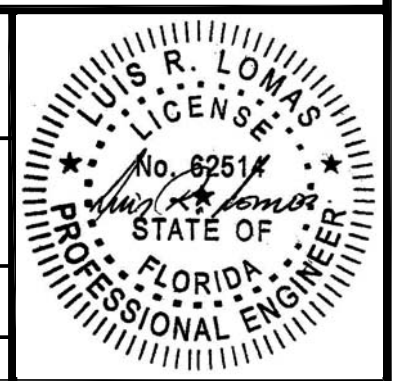
- NOTES:
- 1) THE PRODUCT SHOWN HEREIN IS DESIGNED AND MANUFACTURED TO COMPLY WITH REQUIREMENTS OF FLORIDA BUILDING CODE.
 - 2) WOOD FRAMING OPENING TO BE DESIGNED AND ANCHORED TO PROPERLY TRANSFER ALL LOADS TO STRUCTURE. WOOD FRAMING OPENING IS THE RESPONSIBILITY OF THE ARCHITECT OR ENGINEER OF RECORD.
 - 3) APPROVED IMPACT PROTECTIVE SYSTEM IS REQUIRED FOR THIS PRODUCT IN WIND BORNE DEBRIS REGIONS.
 - 4) UNITS MUST BE GLAZED PER ASTM E1300.
 - 5) ALLOWABLE STRESS INCREASE OF 1/3 WAS NOT USED IN THE DESIGN OF THE PRODUCT SHOWN HEREIN. WIND LOAD DURATION FACTOR Cd=1.6 WAS USED FOR WOOD ANCHOR CALCULATIONS.
 - 6) SHIM AS REQUIRED AT EACH INSTALLATION ANCHOR WITH LOAD BEARING SHIM. SHIM WHERE SPACE OF 1/16" OR GREATER OCCURS. MAXIMUM ALLOWABLE SHIM STACK TO BE 1/4".
 - 7) FOR ANCHORING INTO 2X BUCK OR WOOD FRAMING USE #10 WOOD SCREW OF SUFFICIENT LENGTH TO ACHIEVE A 1 3/8" MINIMUM EMBEDMENT INTO SUBSTRATE. LOCATE ANCHORS AS SHOWN IN ANCHORING LAYOUT AND INSTALLATION DETAILS.
 - 8) FOR ANCHORING INTO MASONRY USE 3/16" ITW TAPCONS WITH SUFFICIENT LENGTH TO ACHIEVE A 1 1/4" MINIMUM EMBEDMENT INTO SUBSTRATE WITH 2 5/8" MINIMUM EDGE DISTANCE. LOCATE ANCHORS AS SHOWN IN ELEVATIONS AND INSTALLATION DETAILS.
 - 9) ALL FASTENERS TO BE CORROSION RESISTANT.
 - 10) INSTALLATION ANCHOR CAPACITIES FOR PRODUCTS HEREIN ARE BASED ON SUBSTRATE MATERIAL WITH THE FOLLOWING PROPERTIES:
A. WOOD – G=0.42 MINIMUM SPECIFIC GRAVITY.
B. CONCRETE – MINIMUM COMPRESSIVE STRENGTH OF 3,192 PSI.
C. MASONRY – STRENGTH CONFORMANCE TO ASTM C-90, GRADE N, TYPE 1 (OR GREATER).
 - 11) FRAME JAMB AND HEAD MATERIAL: CO-EXTRUDED PVC FOAM 1 1/2" THICK.
 - 12) FRAME SILL MATERIAL: CO-EXTRUDED PVC FOAM, 1 1/4" THICK INSWING AND 1 5/8" THICK OUTSWING, WITH ALUMINUM CLADDING .063" THICK.
 - 13) DOOR PANEL AND SIDELITE MATERIAL: RIGID PVC SKIN .031" THICK OVER A PVC FOAM CORE WITH WOOD REINFORCEMENTS.
 - 14) APPROVED CONFIGURATIONS: X AND XX INSWING AND OUTSWING.
 - 15) MAX. DOOR PANEL AND SIDELITE D.L.O.: 25" x 66".
 - 16) HINGE LOCATIONS FROM BOTTOM OF PANEL UP: 10", 41" AND 73".

TABLE OF CONTENTS	
SHEET NO.	DESCRIPTION
1	INSWING ELEVATIONS ANCHORING AND NOTES
2	OUTSWING ELEVATIONS, ANCHORING AND HARDWARE
3 – 4	INSWING INSTALLATION DETAILS
5 – 6	OUTSWING INSTALLATION DETAILS

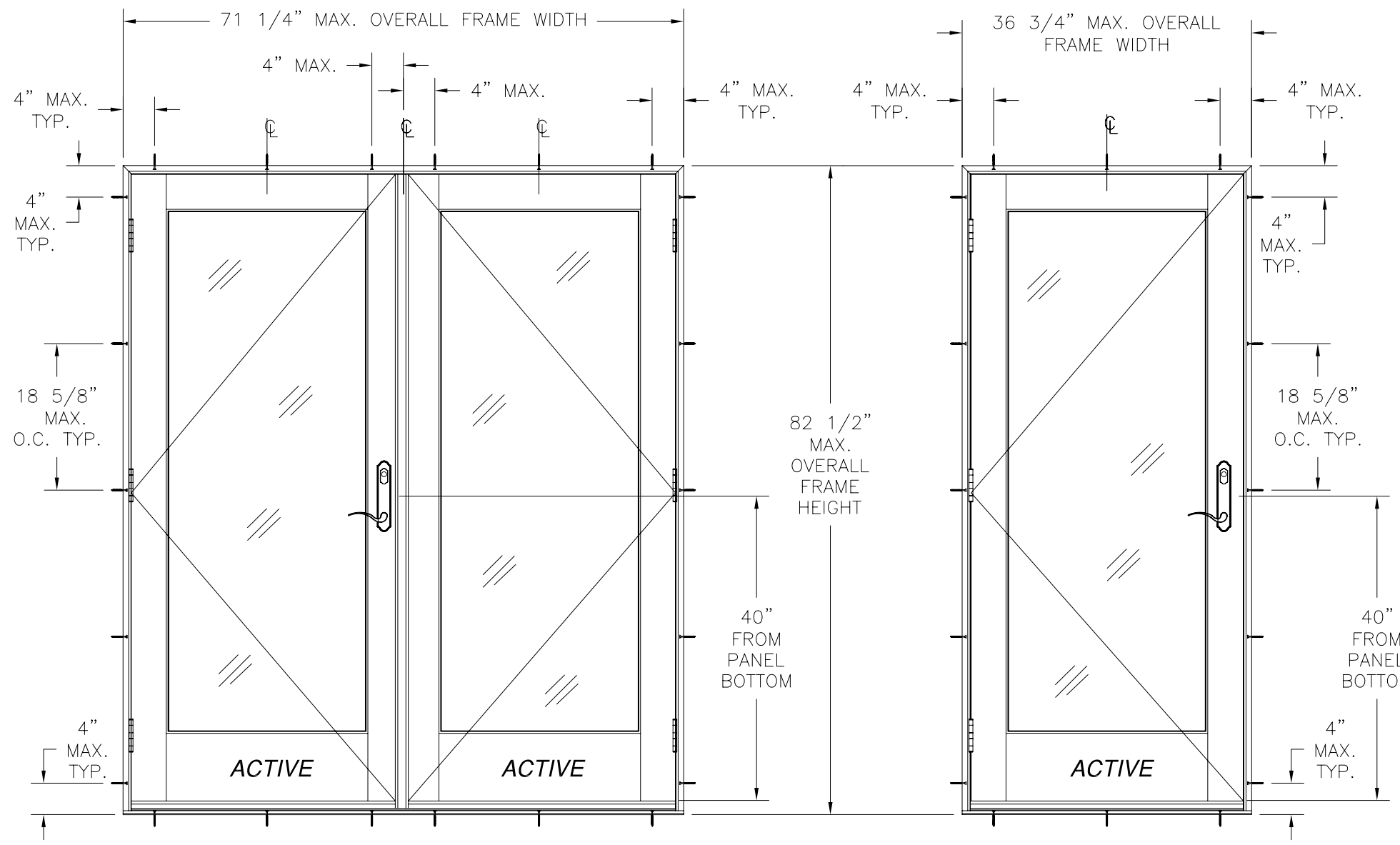
NAN YA PLASTICS CORP. USA
8989 NORTH LOOP EAST
HOUSTON, TX 77029

NEUMA CLASSIC PVC GLAZED PATIO DOOR
INSWING/OUTSWING NON-IMPACT
INSWING ELEVATIONS, ANCHORING AND NOTES

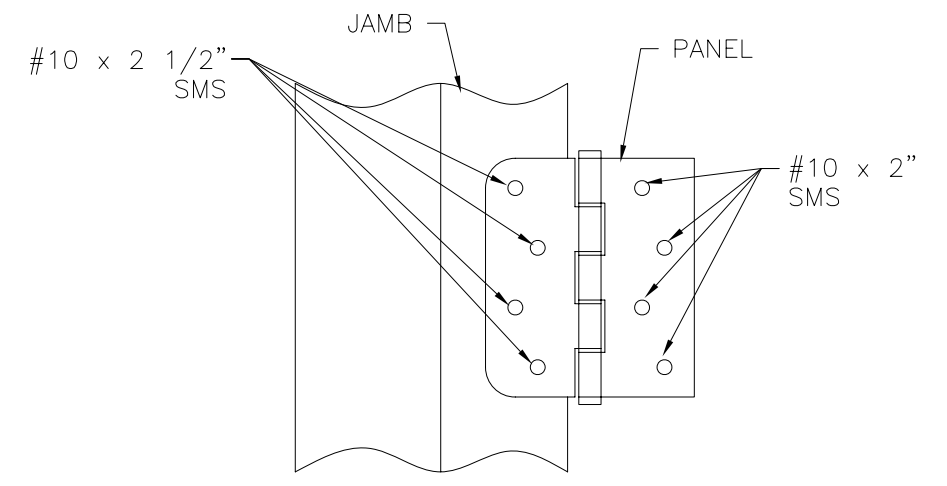
DRAWN: TJH	DWG NO. 08-00873	REV -
SCALE NTS	DATE 10/26/09	SHEET 1 OF 6



REVISIONS			
REV	DESCRIPTION	DATE	APPROVED



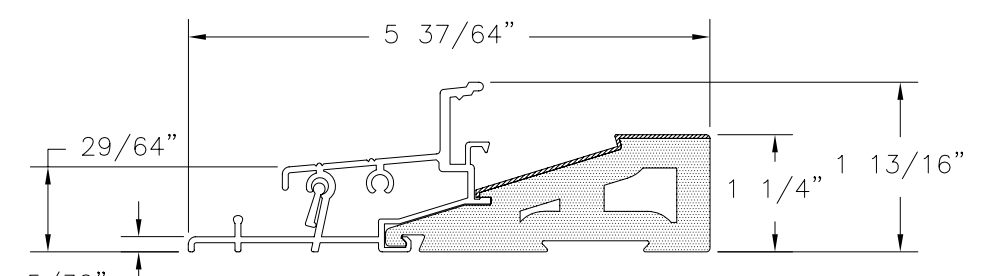
HARDWARE SCHEDULE	
A.	3-POINT LOCK HANDLE ASSEMBLY NINGBO MICOTA LOCKS
B.	(3) 4" x 4 1/4" BUTT HINGES BY WENZHOU LONGTAI HINGES
C.	EXTRUDED ALUMINUM & PVC FOAM ASTRAGAL BY NAN YA PLASTICS



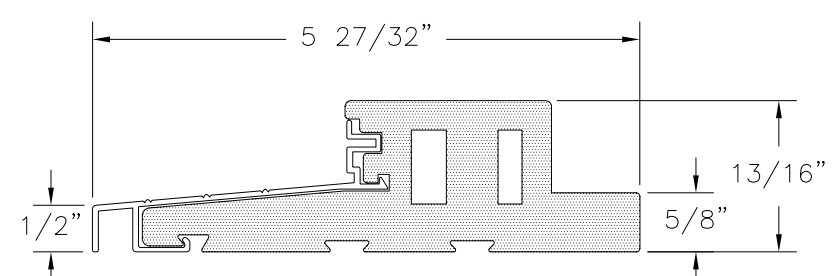
NEUMA CLASSIC PVC OUTSWING GLAZED PATIO DOOR
EXTERIOR VIEW

DESIGN PRESSURE RATING	IMPACT RATING
+50.0 PSF -30.0 PSF	NONE

HINGE INSTALLATION DETAIL



INSWING DOOR SILL DETAIL

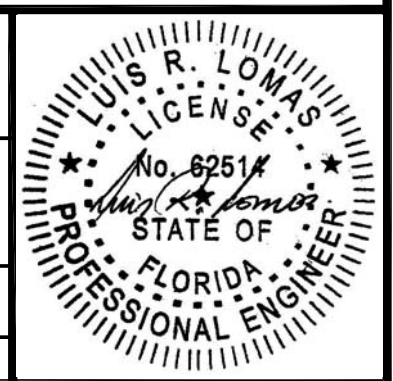


OUTSWING DOOR SILL DETAIL

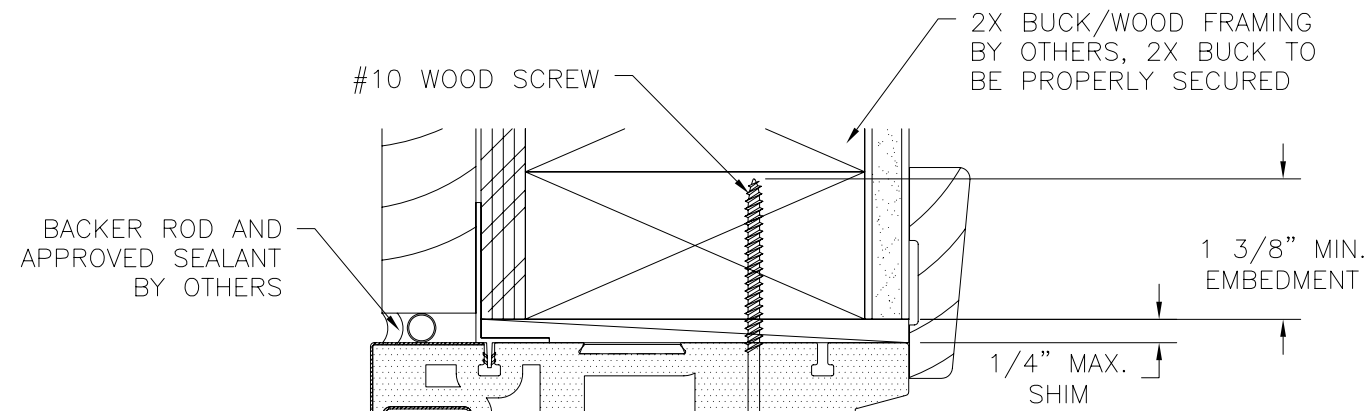
NAN YA PLASTICS CORP. USA
8989 NORTH LOOP EAST
HOUSTON, TX 77029

NEUMA CLASSIC PVC GLAZED PATIO DOOR
INSWING/OUTSWING NON-IMPACT
OUTSWING ELEVATIONS, ANCHORING AND HARDWARE

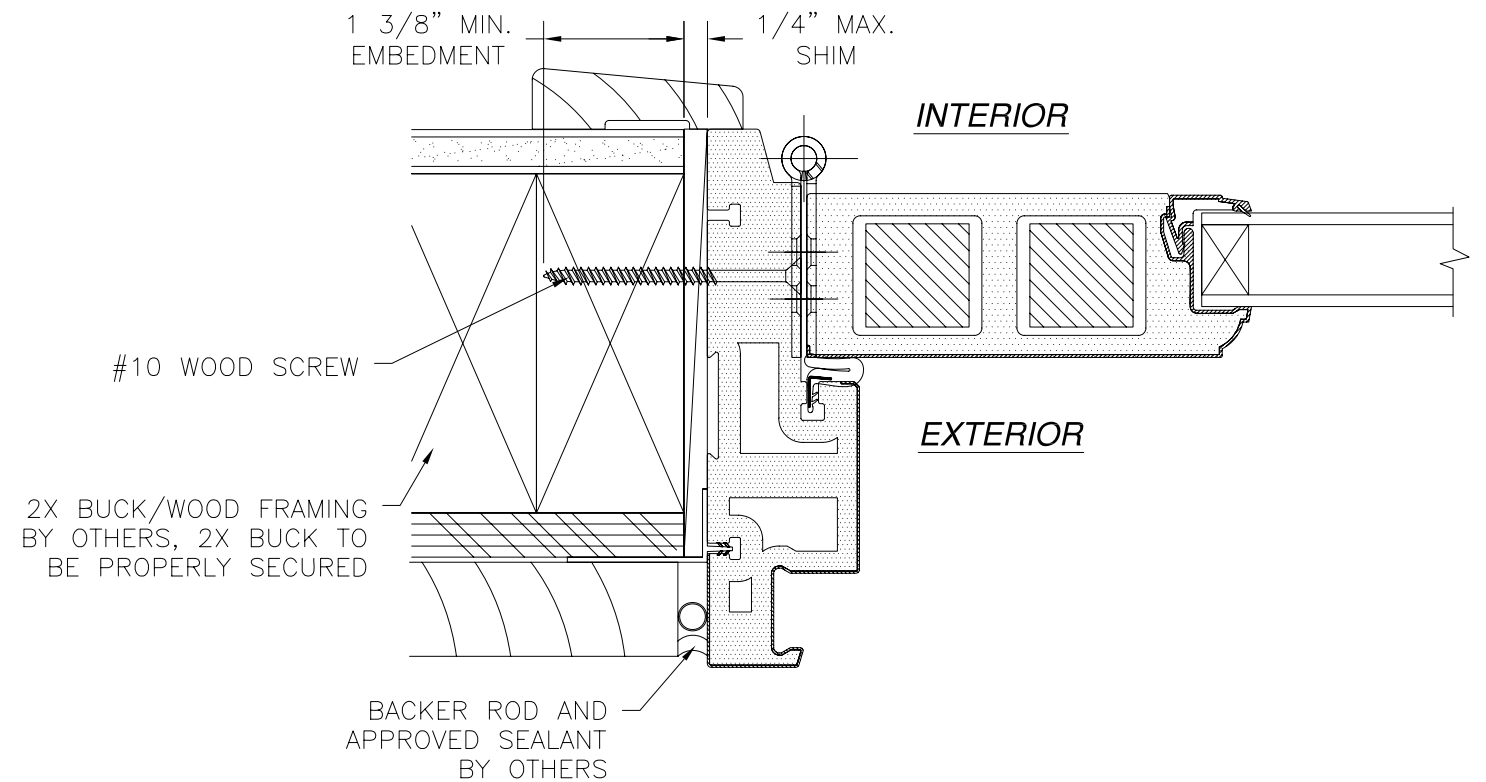
DRAWN: TJH	DWG NO. 08-00873	REV -
SCALE NTS	DATE 10/26/09	SHEET 2 OF 6



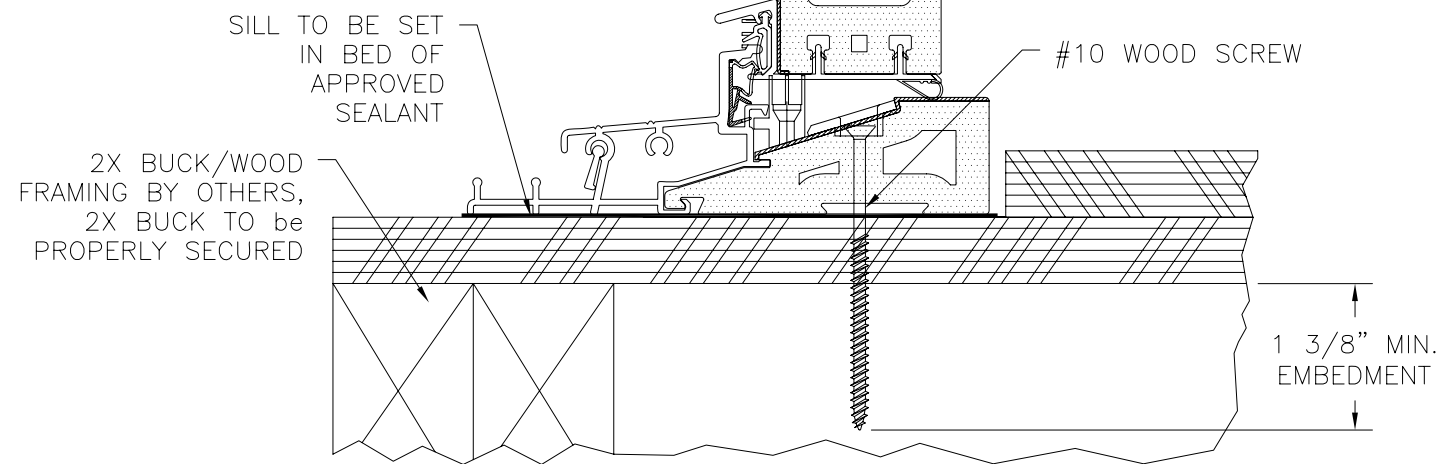
REVISIONS			
REV	DESCRIPTION	DATE	APPROVED



EXTERIOR INTERIOR

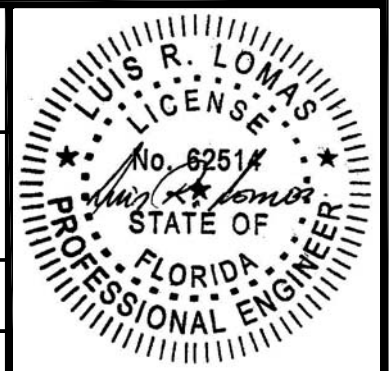


2X BUCK/WOOD FRAMING INSTALLATION
INSWING DOOR SHOWN, INSWING SIDELITE SIMILAR

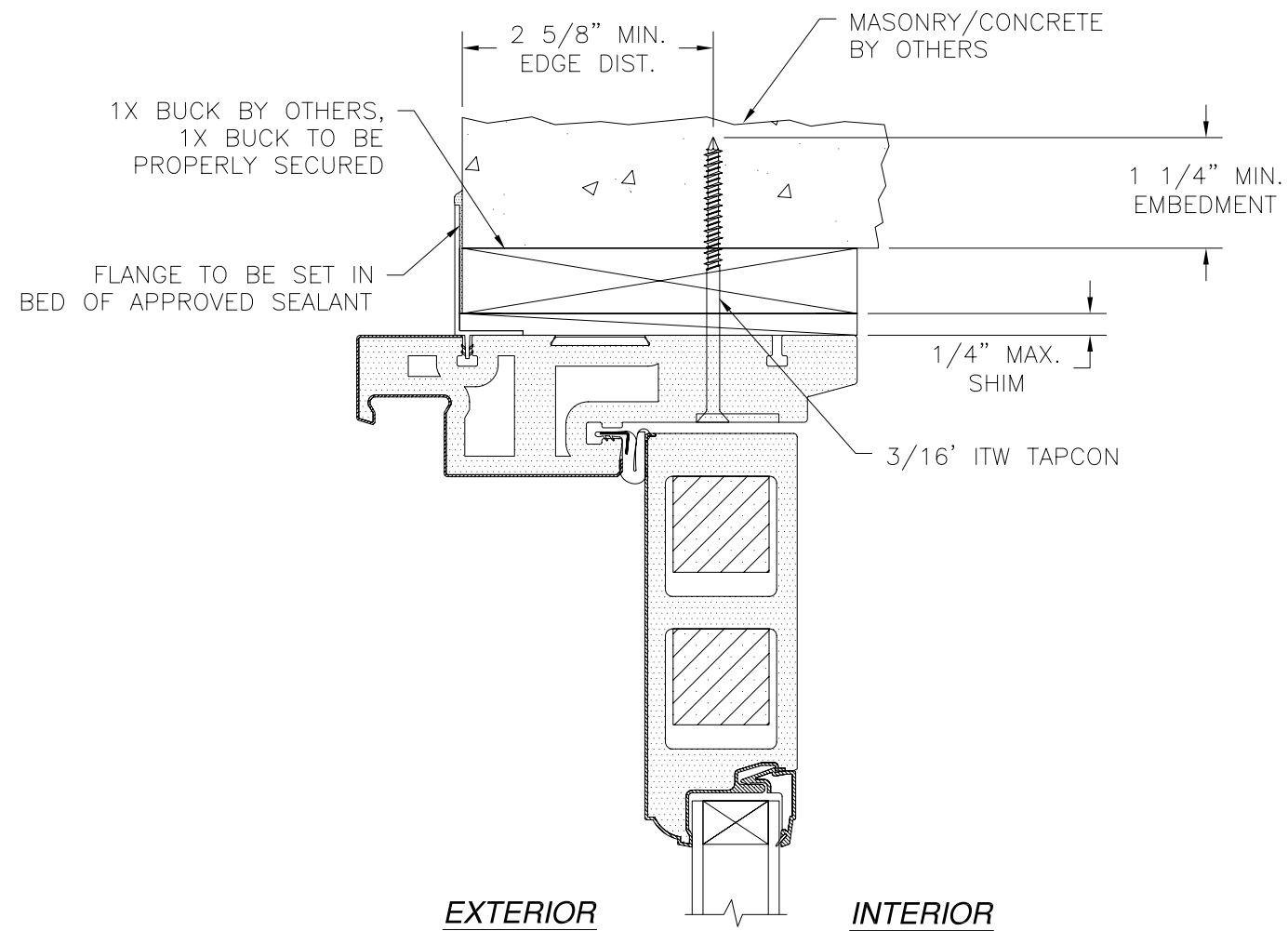


2X BUCK/WOOD FRAMING INSTALLATION
INSWING DOOR SHOWN, INSWING SIDELITE SIMILAR

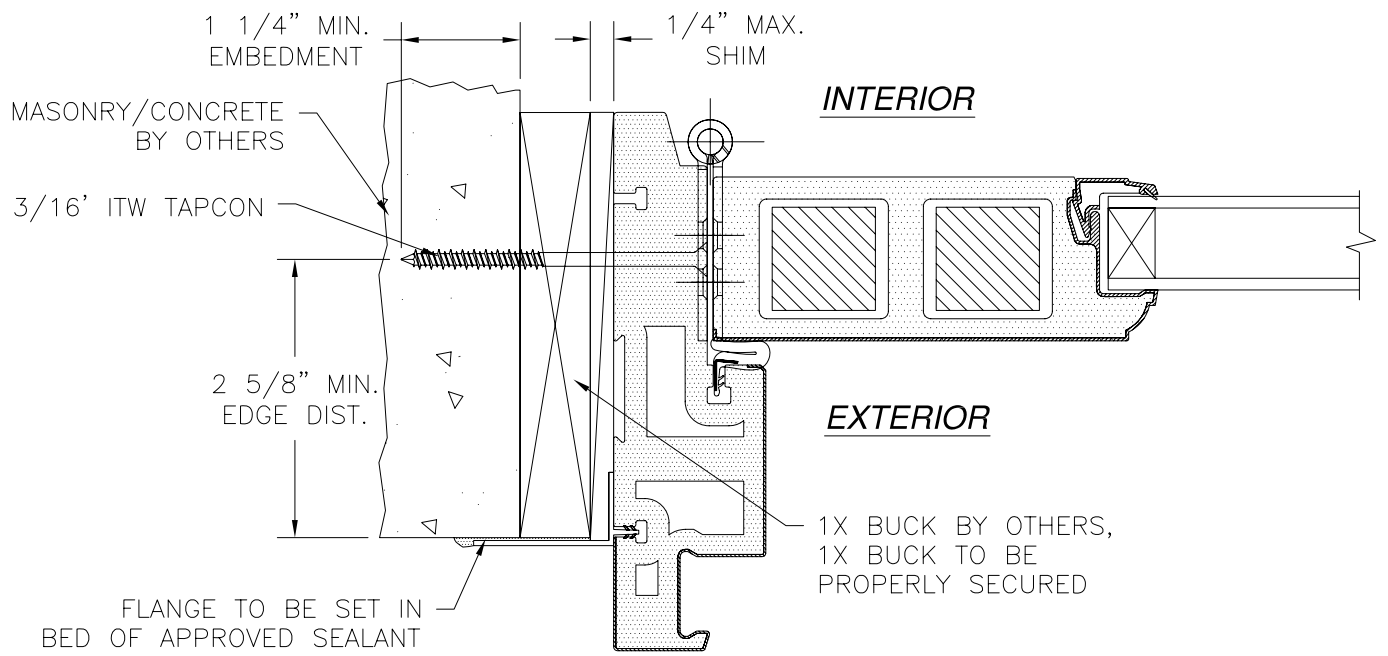
<p>NAN YA PLASTICS CORP. USA 8989 NORTH LOOP EAST HOUSTON, TX 77029</p>		
<p>NEUMA CLASSIC PVC GLAZED PATIO DOOR INSWING/OUTSWING NON-IMPACT INSWING INSTALLATION DETAILS</p>		
DRAWN: TJH	DWG NO. 08-00873	REV -
SCALE NTS	DATE 10/26/09	SHEET 3 OF 6



REVISIONS			
REV	DESCRIPTION	DATE	APPROVED



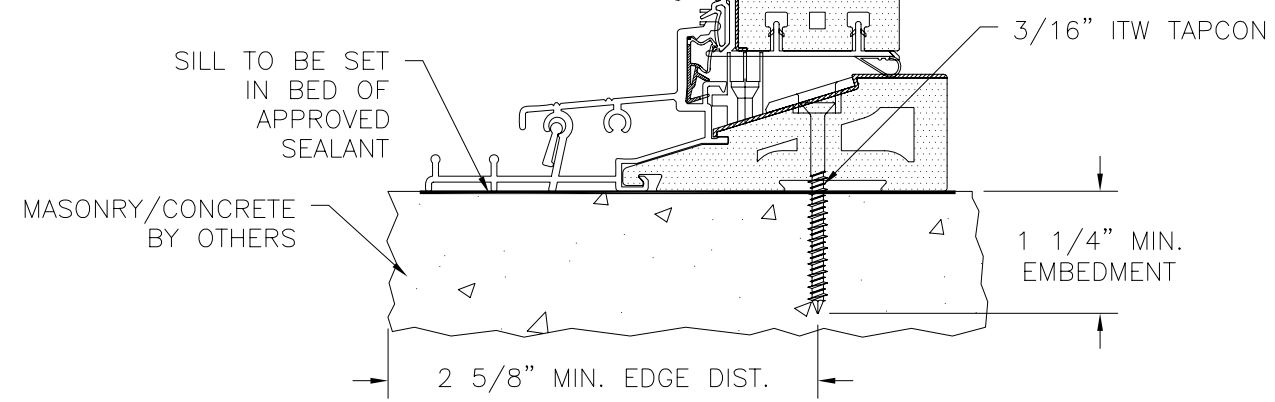
EXTERIOR **INTERIOR**



INTERIOR

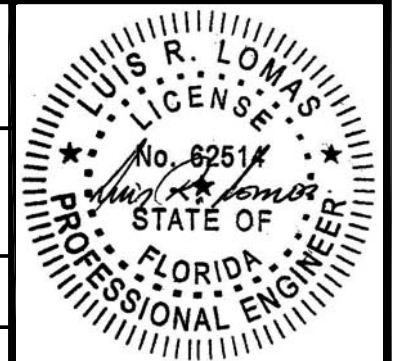
EXTERIOR

MASONRY/CONCRETE INSTALLATION
INSWING DOOR SHOWN, INSWING SIDELITE SIMILAR

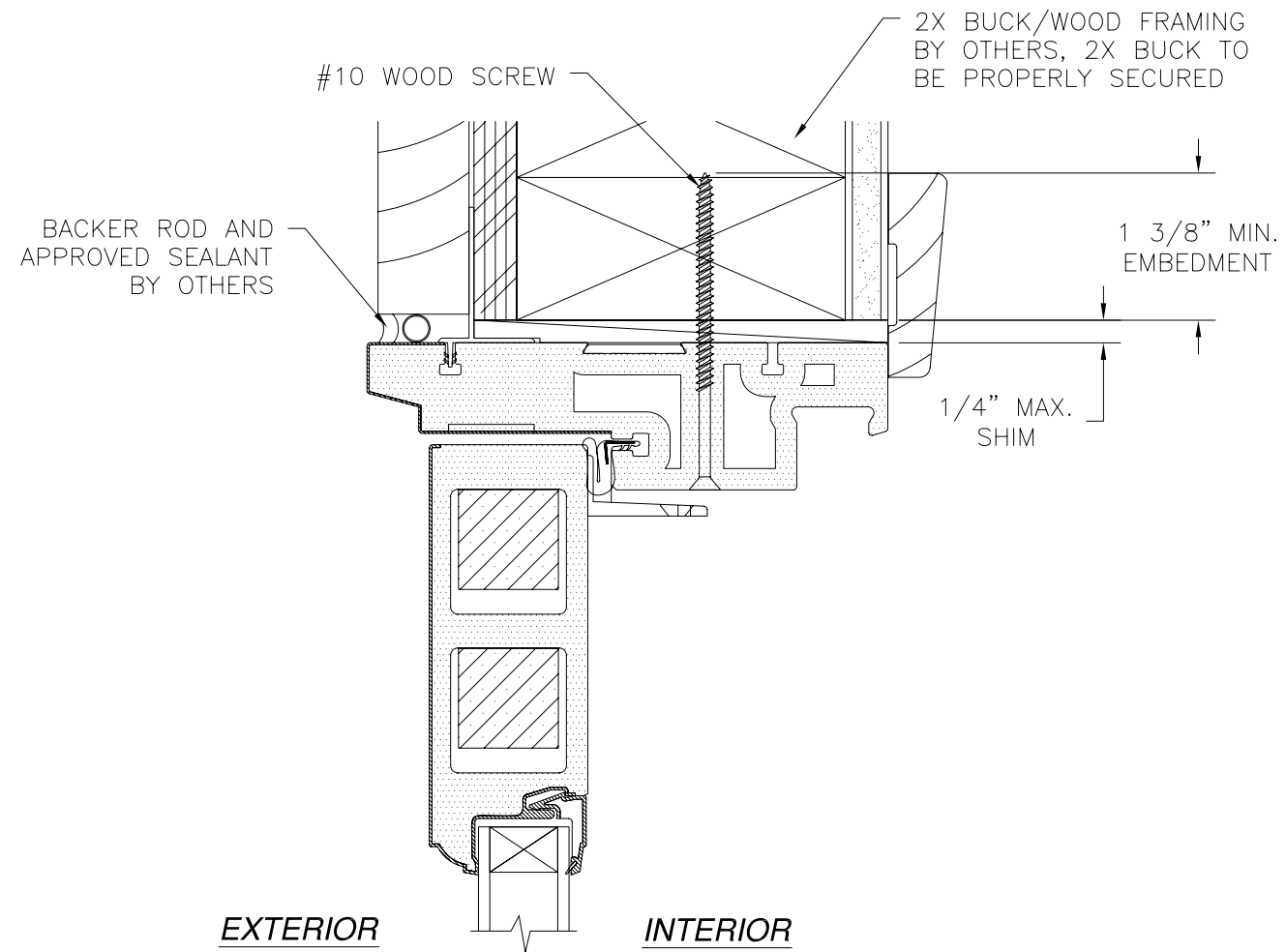


MASONRY/CONCRETE INSTALLATION
INSWING DOOR SHOWN, INSWING SIDELITE SIMILAR

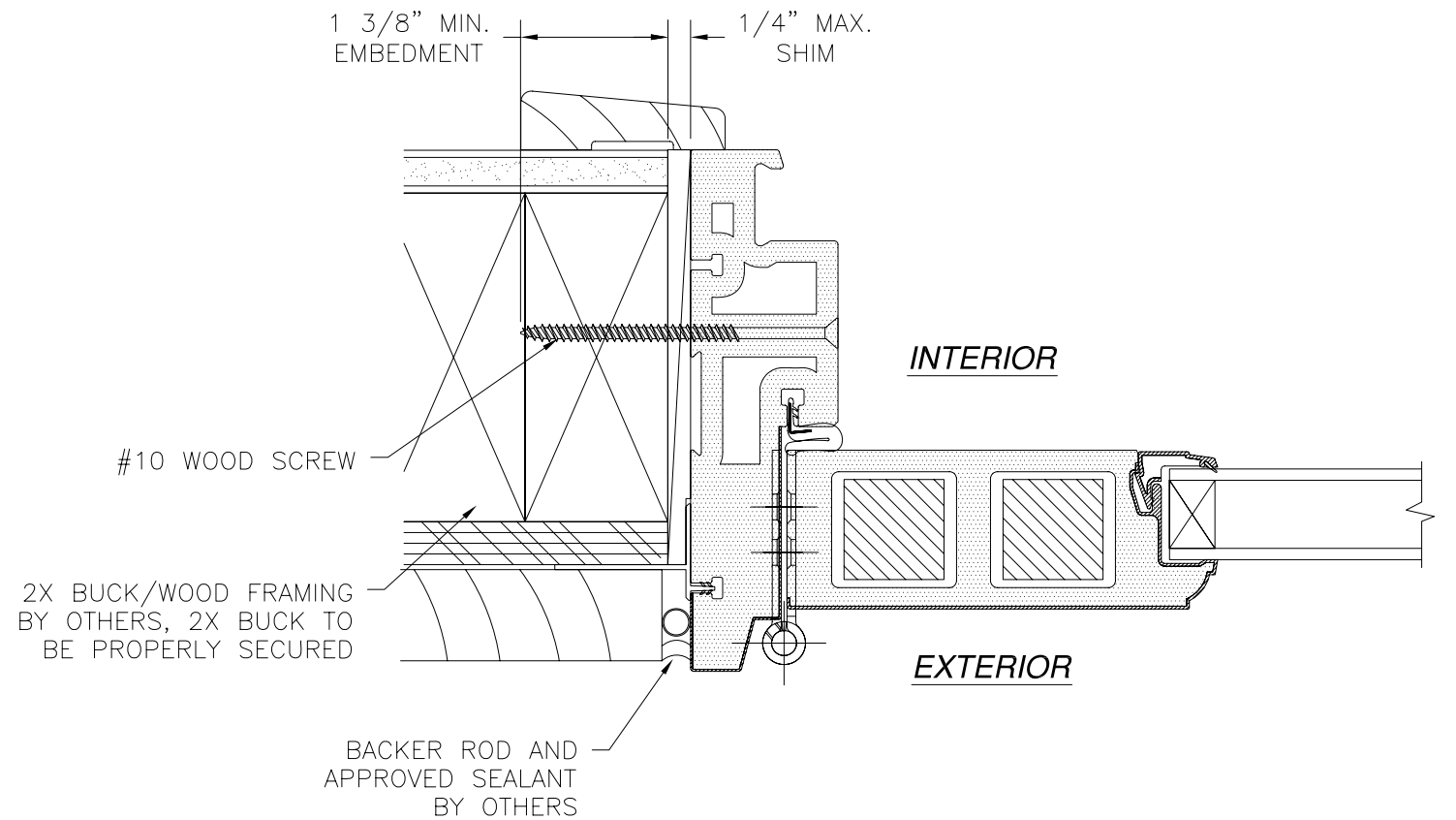
NAN YA PLASTICS CORP. USA 8989 NORTH LOOP EAST HOUSTON, TX 77029		
NEUMA CLASSIC PVC GLAZED PATIO DOOR INSWING/OUTSWING NON-IMPACT INSWING INSTALLATION DETAILS		
DRAWN: TJH	DWG NO. 08-00873	REV -
SCALE NTS	DATE 10/26/09	SHEET 4 OF 6



REVISIONS			
REV	DESCRIPTION	DATE	APPROVED



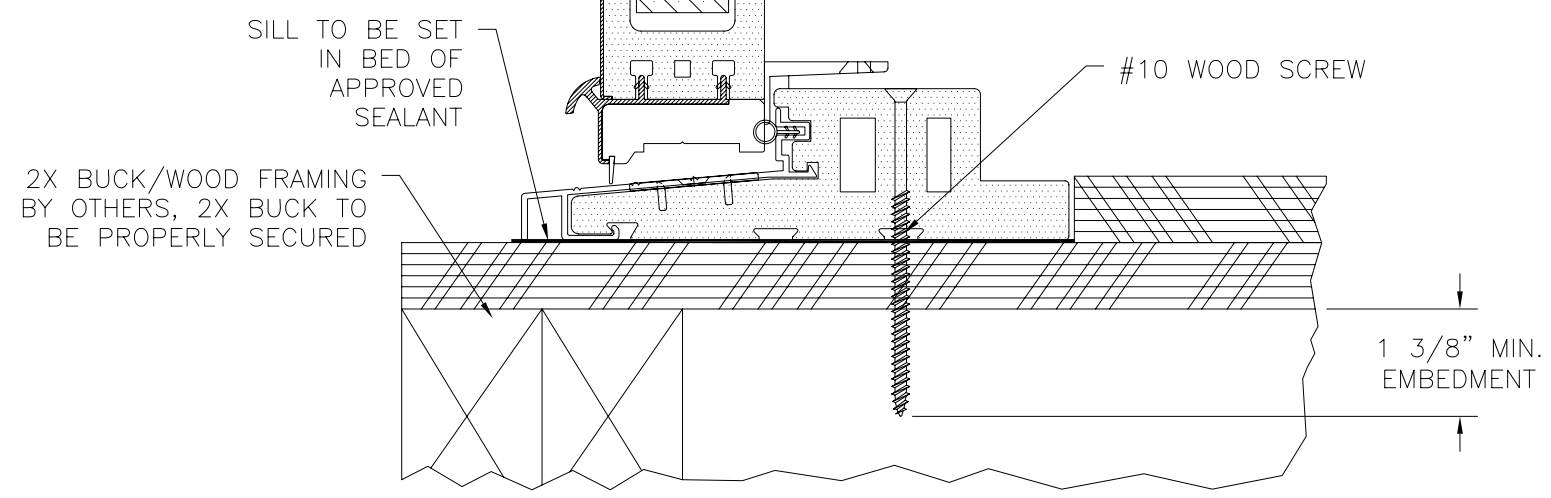
EXTERIOR **INTERIOR**



INTERIOR

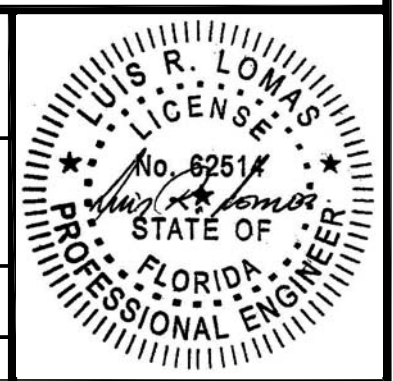
EXTERIOR

2X BUCK/WOOD FRAMING INSTALLATION
OUTSWING DOOR SHOWN, OUTSWING SIDELITE SIMILAR

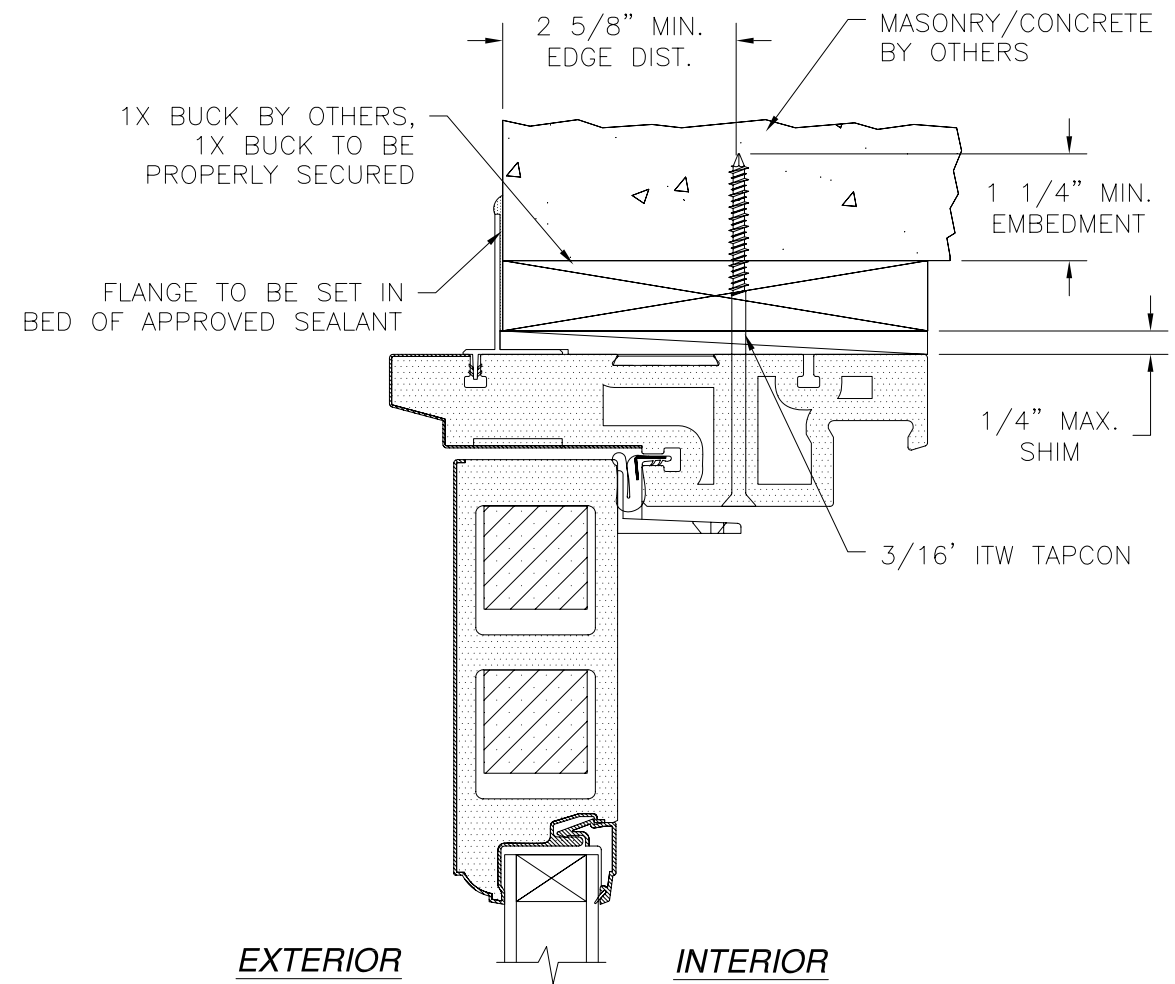


2X BUCK/WOOD FRAMING INSTALLATION
OUTSWING DOOR SHOWN, OUTSWING SIDELITE SIMILAR

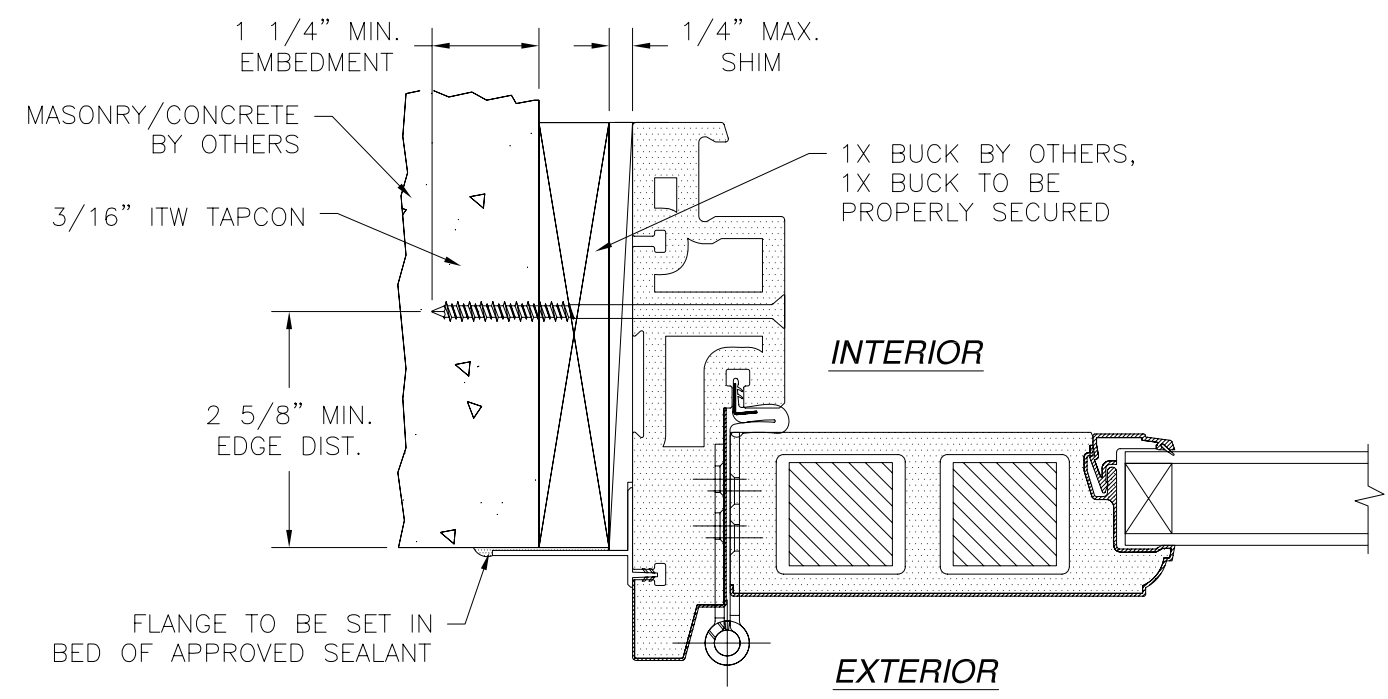
NAN YA PLASTICS CORP. USA 8989 NORTH LOOP EAST HOUSTON, TX 77029		
NEUMA CLASSIC PVC GLAZED PATIO DOOR INSWING/OUTSWING NON-IMPACT OUTSWING INSTALLATION DETAILS		
DRAWN: TJH	DWG NO. 08-00873	REV -
SCALE NTS	DATE 10/26/09	SHEET 5 OF 6



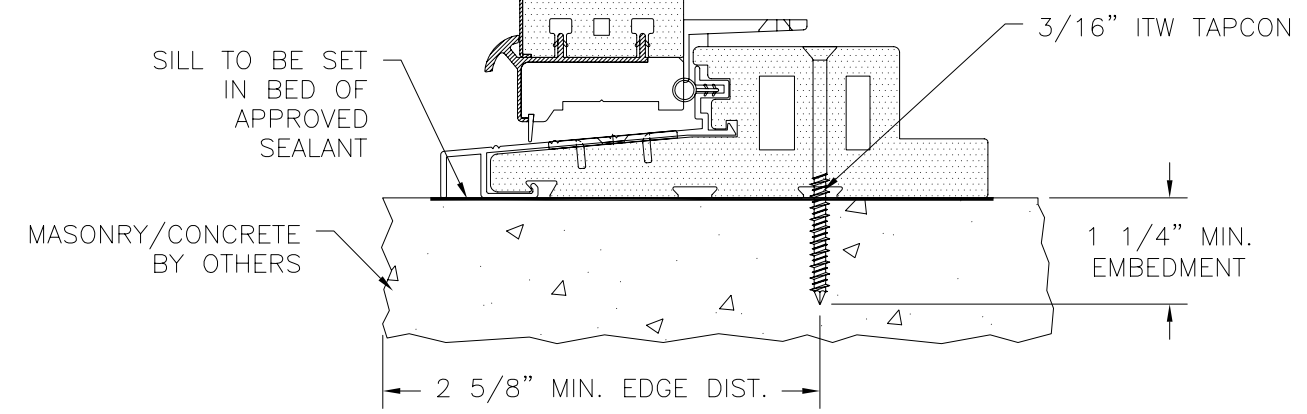
REVISIONS			
REV	DESCRIPTION	DATE	APPROVED



EXTERIOR INTERIOR



MASONRY/CONCRETE INSTALLATION
OUTSWING DOOR SHOWN, OUTSWING SIDELITE SIMILAR



MASONRY/CONCRETE INSTALLATION
OUTSWING DOOR SHOWN, OUTSWING SIDELITE SIMILAR

<p>NAN YA PLASTICS CORP. USA 8989 NORTH LOOP EAST HOUSTON, TX 77029</p>		
<p>NEUMA CLASSIC PVC GLAZED PATIO DOOR INSWING/OUTSWING NON-IMPACT OUTSWING INSTALLATION DETAILS</p>		
<p>DRAWN: TJH</p>	<p>DWG NO. 08-00876</p>	<p>REV -</p>
<p>SCALE NTS</p>	<p>DATE 10/26/09</p>	<p>SHEET 6 OF 6</p>

