



MIAMI-DADE COUNTY
BUILDING CODE COMPLIANCE OFFICE (BCCO)
PRODUCT CONTROL DIVISION

MIAMI-DADE COUNTY, FLORIDA
 METRO-DADE FLAGLER BUILDING
 140 WEST FLAGLER STREET, SUITE 1603
 MIAMI, FLORIDA 33130-1563
 (305) 375-2901 FAX (305) 372-6339

NOTICE OF ACCEPTANCE (NOA)

www.miamidade.gov/buildingcode

Nan Ya Plastics Corporation USA
8989 North Loop East
Suite 800
Houston, TX 77029

SCOPE:

This NOA is being issued under the applicable rules and regulations governing the use of construction materials. The documentation submitted has been reviewed by Miami-Dade County Product Control Division and accepted by the Board of Rules and Appeals (BORA) to be used in Miami Dade County and other areas where allowed by the Authority Having Jurisdiction (AHJ).

This NOA shall not be valid after the expiration date stated below. The Miami-Dade County Product Control Division (In Miami Dade County) and/or the AHJ (in areas other than Miami Dade County) reserve the right to have this product or material tested for quality assurance purposes. If this product or material fails to perform in the accepted manner, the manufacturer will incur the expense of such testing and the AHJ may immediately revoke, modify, or suspend the use of such product or material within their jurisdiction. BORA reserves the right to revoke this acceptance, if it is determined by Miami-Dade County Product Control Division that this product or material fails to meet the requirements of the applicable building code. This product is approved as described herein, and has been designed to comply with the Florida Building Code, including the High Velocity Hurricane Zone.

DESCRIPTION: Series "OS Transom" Aluminum Clad Fixed Window – L.M.I.

APPROVAL DOCUMENT: Drawing No. **NAN0018**, titled "Impact O.S. Transom", sheets 1 through 5 of 5, dated 01/26/09 with revision A dated 06/03/09, prepared by PTC, LLC, signed and sealed by Paul E. Winter, P.E., bearing the Miami-Dade County Product Control Approval stamp with the Notice of Acceptance number and approval date by the Miami-Dade County Product Control Division.

MISSILE IMPACT RATING: Large Missile Impact Resistant

LABELING: Each unit shall bear a permanent label with the manufacturer's name or logo, city, state and following statement: "Miami-Dade County Product Control Approved", unless otherwise noted herein.

RENEWAL of this NOA shall be considered after a renewal application has been filed and there has been no change in the applicable building code negatively affecting the performance of this product.

TERMINATION of this NOA will occur after the expiration date or if there has been a revision or change in the materials, use, and/or manufacture of the product or process. Misuse of this NOA as an endorsement of any product, for sales, advertising or any other purposes shall automatically terminate this NOA. Failure to comply with any section of this NOA shall be cause for termination and removal of NOA.

ADVERTISEMENT: The NOA number preceded by the words Miami-Dade County, Florida, and followed by the expiration date may be displayed in advertising literature. If any portion of the NOA is displayed, then it shall be done in its entirety.

INSPECTION: A copy of this entire NOA shall be provided to the user by the manufacturer or its distributors and shall be available for inspection at the job site at the request of the Building Official. This NOA consists of this page 1 and evidence pages E-1 and E-2, as well as approval document mentioned above.

The submitted documentation was reviewed by **Jaime Gascon, P.E.**



J. Gascon
 6/25/09

NOA No. 09-0305.03
 Expiration Date: July 15, 2014
 Approval Date: July 15, 2009

Nan Ya Plastics Corporation USA

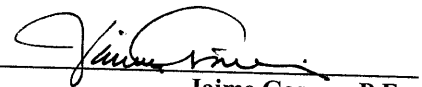
NOTICE OF ACCEPTANCE: EVIDENCE SUBMITTED

A. DRAWINGS

1. Manufacturer's die drawings and sections.
2. Drawing No **NAN0018**, Sheets 1 through 5 of 5, titled "Impact O.S. Transom", dated 01/26/09 with revision A dated 06/03/09, prepared by PTC, LLC, signed and sealed by Paul E. Winter, P.E.

B. TESTS

1. Test reports on:
 - 1) Air Infiltration Test, per FBC, TAS 202-94
 - 2) Uniform Static Air Pressure Test, Loading per FBC TAS 202-94
 - 3) Water Resistance Test, per FBC, TAS 202-94
 - 4) Large Missile Impact Test per FBC, TAS 201-94
 - 5) Cyclic Wind Pressure Loading per FBC, TAS 203-94
 - 6) Forced Entry Test, per FBC 2411 3.2.1, TAS 202-94along with marked-up drawings and installation diagram of In-Swing Transom, prepared by ETC Laboratories, Test Report No. **ETC-08-209-21116.0** dated 05/22/08 – 08/01/08 signed and sealed by Joseph Labora Doldan, P.E.
2. Test reports on:
 - 1) Smoke Density Test, per FBC, ASTM D 2843
 - 2) Test for rate of Burning, per FBC, ASTM D 635
 - 3) Self Ignition Temperature, per FBC, ASTM D 1929
 - 4) Tensile Property Tests, per FBC, ASTM D 638along with marked-up drawings and installation diagram of SMC Fiberglass Material, prepared by ETC Laboratories, Inc., Test Report No. **ETC-05-255-16776.1**, dated 07/06/06 signed and sealed by Joseph Labora Doldan, P. E.
3. Test reports on:
 - 1) Smoke Density Test, per FBC, ASTM D 2843
 - 2) Test for rate of Burning, per FBC, ASTM D 635
 - 3) Self Ignition Temperature, per FBC, ASTM D 1929
 - 4) Tensile Property Tests, per FBC, ASTM D 638along with marked-up drawings and installation diagram of Rigid PVC, prepared by ETC Laboratories, Inc., Test Report No. **ETC-05-255-17144.1**, dated 01/04/06 with the latest revision dated 06/30/08 signed and sealed by Joseph Labora Doldan, P. E.
4. Test reports on:
 - 1) Smoke Density Test, per FBC, ASTM D 2843
 - 2) Test for rate of Burning, per FBC, ASTM D 635
 - 3) Self Ignition Temperature, per FBC, ASTM D 1929
 - 4) Tensile Property Tests, per FBC, ASTM D 638along with marked-up drawings and installation diagram of Cellular PVC, prepared by ETC Laboratories, Inc., Test Report No. **ETC-05-255-16777.1**, dated 04/26/06 signed and sealed by Joseph Labora Doldan, P. E.



Jaime Gascon, P.E.
Chief, Product Control Division
NOA No. 09-0305.03
Expiration Date: July 15, 2014
Approval Date: July 15, 2009

Nan Ya Plastics Corporation USA

NOTICE OF ACCEPTANCE: EVIDENCE SUBMITTED

B. TESTS (Continued)

5. Test reports on: 1) Surface Burning Test, per FBC, ASTM E 84 along with marked-up drawings and installation diagram of Phenolic Foam Board, prepared by ETC Laboratories, Inc., Test Report No. **ETC-06-255-17412.1**, dated 04/25/06 with the latest revision dated 06/28/06 signed and sealed by Joseph Labora Doldan, P. E.

C. CALCULATIONS

1. Anchor verification calculations and structural analysis, complying with FBC-2007, prepared by PTC, LLC, dated 06/15/09, signed and sealed by Paul E. Winter, P.E.
Complies with ASTM E1300-04

D. QUALITY ASSURANCE

1. Miami Dade Building Code Compliance Office (BCCO).

E. MATERIAL CERTIFICATIONS

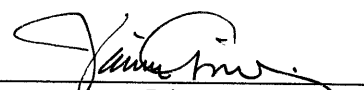
1. Notice of Acceptance No. **08-0206.01** issued to Solutia Inc. for their "**Saflex HP Glass Interlayer**" dated 04/17/2008, expiring on 04/17/2013.

F. STATEMENTS

1. Statement letter of conformance and no financial interest, dated February 10, 2009, signed and sealed by Paul E. Winter, P.E.
2. Addendum letter for Test Report no. **ETC-08-209-21116.0**, issued by ETC Laboratories, dated April 9, 2009, signed and sealed by Joseph Labora Doldan, P.E.

G. OTHERS

1. None



Jaime Gascon, P.E.
Chief, Product Control Division
NOA No. 09-0305.03
Expiration Date: July 15, 2014
Approval Date: July 15, 2009

NAN-YA PLASTICS CORP. IMPACT O.S. TRANSOM INSTALLATION ANCHORAGE DETAILS

GENERAL NOTES:

- Ⓐ 1. THIS PRODUCT IS DESIGNED TO COMPLY WITH THE HIGH VELOCITY HURRICANE ZONE (HVHZ) OF THE 2007 FLORIDA BUILDING CODE (FBC) AT THE DESIGN PRESSURE(S) STATED HEREIN. THE PRODUCT DETAILS CONTAINED HEREIN ARE BASED UPON SIGNED AND SEALED TEST REPORT # ETC-08-209-21116.0 DATED 08/11/2008 AND ASSOCIATED LABORATORY STAMPED DRAWINGS AND WERE TESTED IN ACCORDANCE WITH CURRENT DADE COUNTY PROTOCOLS.
- 2. ADEQUACY OF THE EXISTING STRUCTURAL CONCRETE MASONRY AND 2X FRAMING AS A MAIN WIND FORCE RESISTING SYSTEM CAPABLE OF WITHSTANDING AND TRANSFERRING APPLIED PRODUCT LOADS TO THE STRUCTURE IS THE RESPONSIBILITY OF THE ENGINEER OR ARCHITECT OF RECORD.
- 3. 1X AND 2X BUCKS (WHEN USED) SHALL BE DESIGNED AND ANCHORED TO PROPERLY TRANSFER ALL LOADS TO THE STRUCTURE. BUCK DESIGN AND INSTALLATION IS THE RESPONSIBILITY OF THE ENGINEER OR ARCHITECT OF RECORD.

- 4. IN AREAS WHERE WIND-BORNE DEBRIS PROTECTION REQUIREMENTS EXIST, USE OF AN APPROVED MIAMI DADE IMPACT PROTECTIVE SYSTEM IS NOT REQUIRED FOR THIS PRODUCT.
- Ⓐ 5. WINDOW FRAME MATERIAL: FOAM PVC W/ KERF
- 6. GLASS MEETS THE REQUIREMENTS OF ASTM E1300.
- 7. DESIGNATION "O" STANDS FOR THE FOLLOWING:
O: FIXED PANEL
- 8. A 1/3 INCREASE IN ALLOWABLE STRESS FOR WIND LOADS WAS NOT USED IN THE DESIGN OF THE PRODUCT(S) SHOWN HEREIN. WIND LOAD DURATION FACTOR (Cd = 1.6) HAS BEEN USED FOR WOOD ANCHOR DESIGN.

INSTALLATION NOTES:

- 1. ONE (1) INSTALLATION ANCHOR IS REQUIRED AT EACH ANCHOR LOCATION SHOWN.
- 2. THE NUMBER OF INSTALLATION ANCHORS DEPICTED IS THE MINIMUM NUMBER OF ANCHORS TO BE USED FOR PRODUCT INSTALLATION.
- 3. SHIM AS REQUIRED AT EACH INSTALLATION ANCHOR WITH LOAD BEARING SHIM(S). MAXIMUM ALLOWABLE SHIM SIZE IS 1/4 INCH. SHIM WHERE SPACE OF 1/16 INCH OR GREATER OCCURS. SHIM(S) SHALL BE CONSTRUCTED OF HIGH DENSITY PLASTIC OR BETTER.
- 4. FOR INSTALLATION INTO WOOD FRAMING, USE #10 WOOD SCREWS OF SUFFICIENT LENGTH TO ACHIEVE 1 1/2 INCH MINIMUM EMBEDMENT. MINIMUM EDGE DISTANCE IS 3/4 INCH.
- 5. FOR INSTALLATION THROUGH 1X BUCK TO CONCRETE / MASONRY, OR DIRECTLY INTO CONCRETE / MASONRY, USE 3/16 INCH ITW TAPCONS OF SUFFICIENT LENGTH TO ACHIEVE 1 1/4 INCH MINIMUM EMBEDMENT. MINIMUM EDGE DISTANCE IS 2-5/8 INCHES. MINIMUM ANCHOR SEPARATION IS 2 1/4 INCH.
- 6. MINIMUM EMBEDMENT AND EDGE DISTANCE EXCLUDE WALL FINISHES, INCLUDING BUT NOT LIMITED TO STUCCO, FOAM, BRICK VENEER AND SIDING.

- 7. FOR CONCRETE BLOCK APPLICATIONS DO NOT INSTALL INSTALLATION ANCHORS INTO MORTAR JOINTS.
- 8. INSTALLATION ANCHORS SHALL BE INSTALLED IN ACCORDANCE WITH ANCHOR MANUFACTURER'S INSTALLATION INSTRUCTIONS AND ANCHORS SHALL NOT BE USED IN SUBSTRATES WITH STRENGTHS LESS THAN THE MINIMUM STRENGTH SPECIFIED BY THE ANCHOR MANUFACTURER.
- 9. INSTALLATION ANCHOR CAPACITIES FOR PRODUCTS HEREIN ARE BASED ON SUBSTRATE MATERIALS WITH THE FOLLOWING PROPERTIES:

- A. WOOD - PT SOUTHERN YELLOW PINE MINIMUM SPECIFIC GRAVITY OF 0.55.
- B. CONCRETE - MINIMUM COMPRESSIVE STRENGTH OF 3192 psi AND COMPLIES WITH ACI 301, ACI 318-05 AND ACI 355
- C. MASONRY - STRENGTH CONFORMANCE TO ASTM C-90 AND ACI 530-05, GRADE N, TYPE 1 (OR GREATER).

TABLE OF CONTENTS		
SHEET	REV.	SHEET DESCRIPTION
1	---	GENERAL & INSTALLATION NOTES
2	---	ELEVATIONS & ANCHOR LAYOUTS
3	---	VERTICAL SECTIONS
4	Ⓐ	HORIZONTAL SECTIONS, GLAZING DETAIL & COMPONENTS
5	Ⓐ	BILL OF MATERIALS, CORNER DETAIL & MULLION / FRAME HEAD ASSEMBY

DESIGN PRESSURE RATING (PSF)			
UNIT SIZE	WHERE WATER INFILTRATION REQUIREMENT IS NEEDED	WHERE WATER INFILTRATION REQUIREMENT IS NOT NEEDED	IMPACT RATING
71-1/4" X 24"	±80.0	±80.0	LARGE MISSILE
145-3/8" X 24"	±80.0	±80.0	

APPROVED BY: Paul E. Winter	DATE: 01/19/09				
				REVISIONS PER MIAMI-DADE	BB
				A	06/03/09
				REV	DATE
					BY

NAN YA PLASTICS CORP.
8989 NORTH LOOP EAST
HOUSTON, TX 77029

**IMPACT O.S. TRANSOM
GENERAL & INSTALLATION NOTES**

PREPARED BY: BB
DRAWN BY: BB
DATE: 01/26/09
SCALE: N.T.S.
DRAWING NO: NAN0018
SHEET: 1 OF 5
REV: A

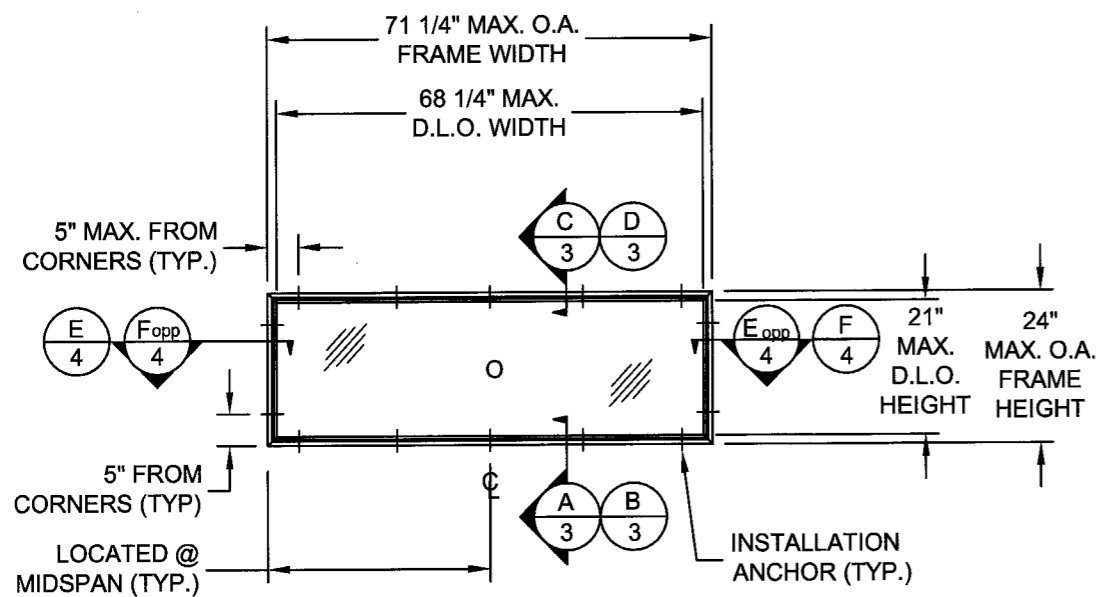
PTC, LLC
Phone 321.690.1788
Fax 321.690.1789

PROJECT #308-1209.22
Paul E. Winter
Florida P.E. No. 22696

Signature

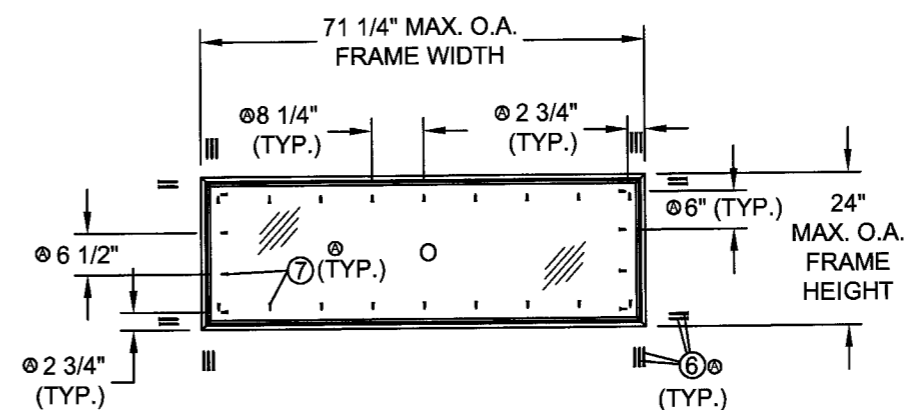
PTC, LLC
1535 N. Cogswell Street, Suite C25
Rockledge, Florida 32955
FBPE Certificate of Authorization NO. 25935

Approved as complying with the
Florida Building Code
Date JULY 15, 2009
NOA# 09-0305-03
Miami Dade Product Control
Division
By *Signature*



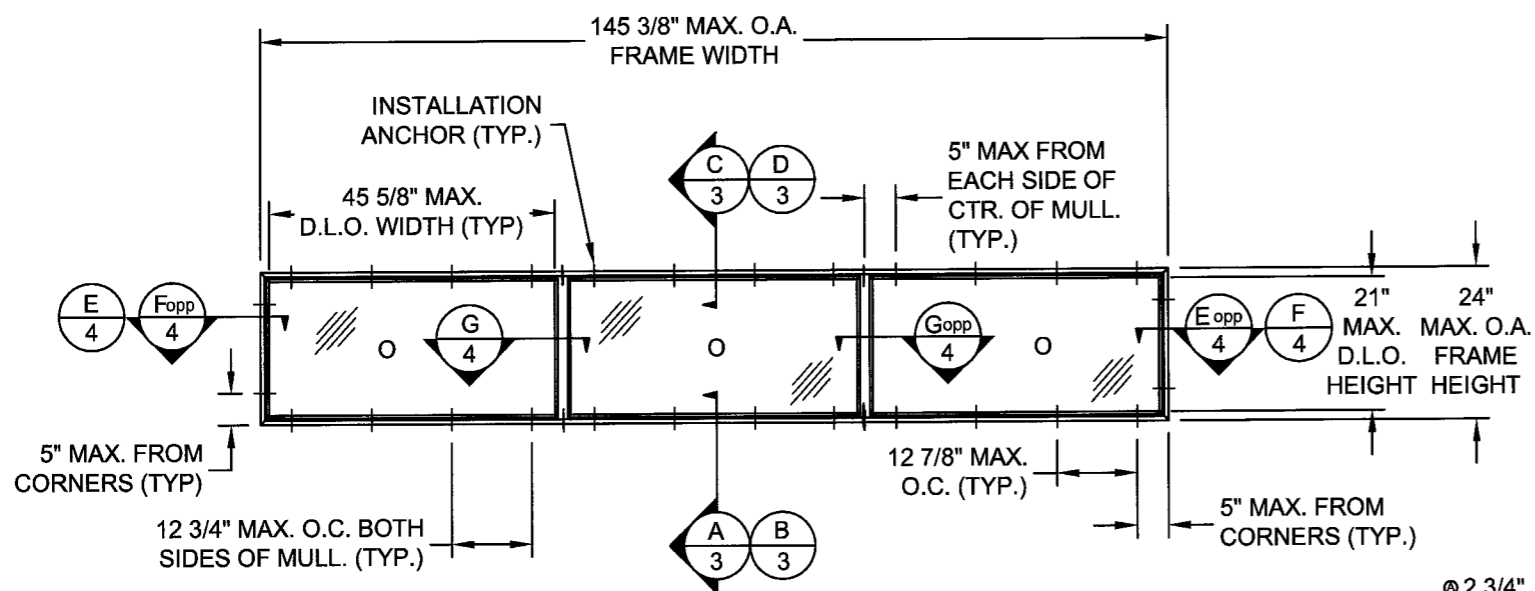
ELEVATION & ANCHOR LAYOUT

EXTERIOR VIEW



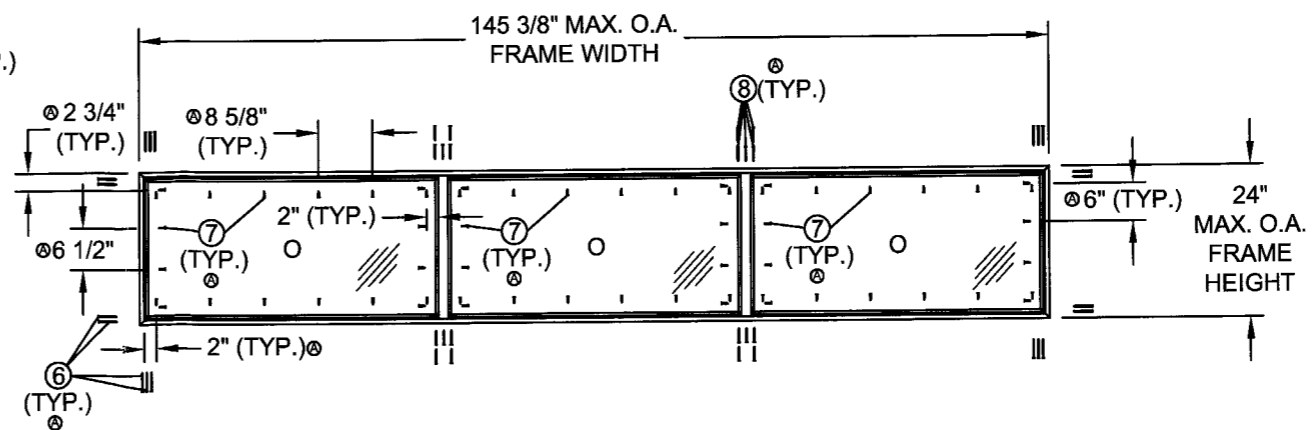
ANCHOR FABRICATION LAYOUT

EXTERIOR VIEW



ELEVATION & ANCHOR LAYOUT

EXTERIOR VIEW



ANCHOR FABRICATION LAYOUT

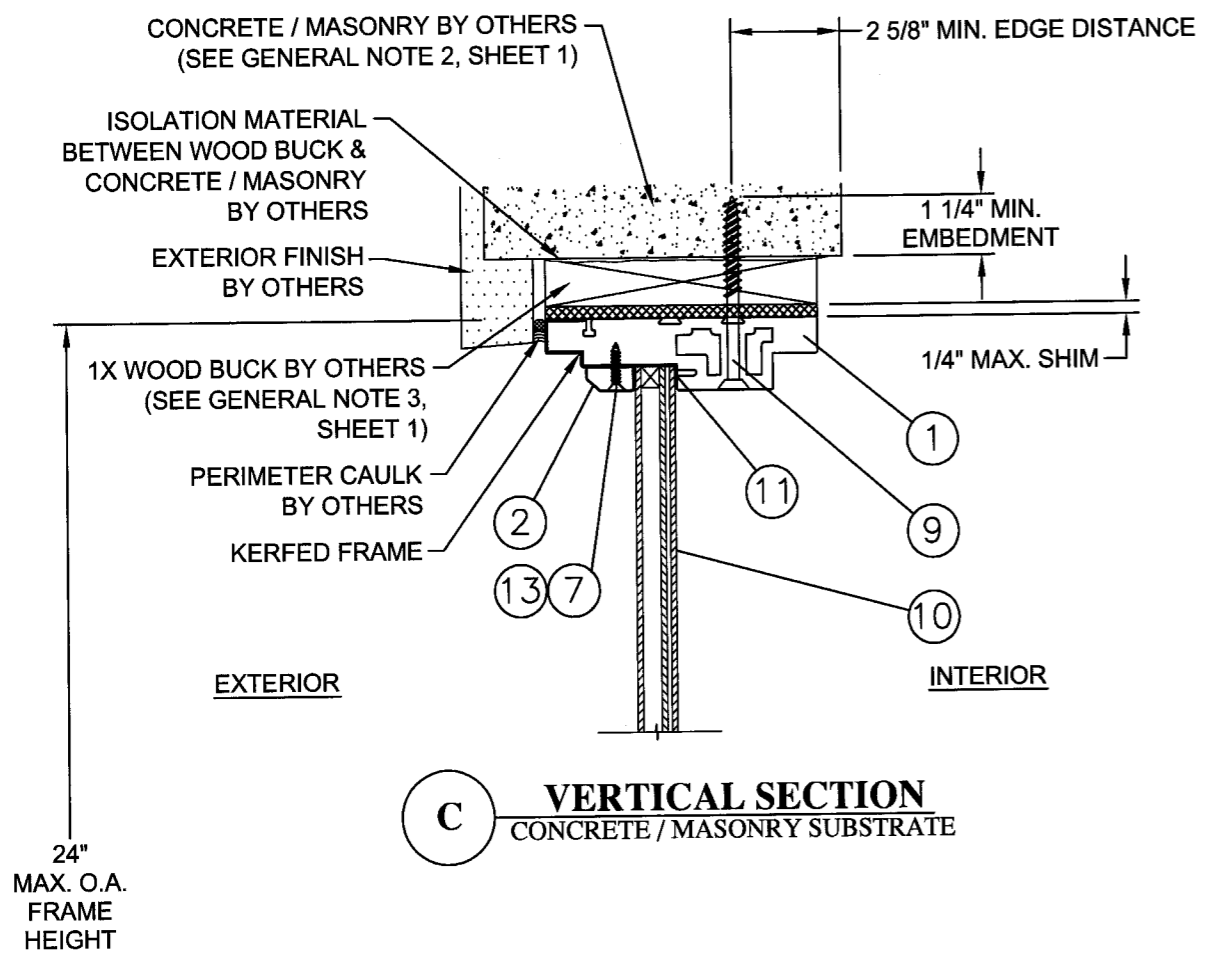
EXTERIOR VIEW

DATE:	01/19/09	REVISIONS PER	MIAMI-DADE	DATE	BB
APPROVED BY:	Paul E. Winter	A	REV		

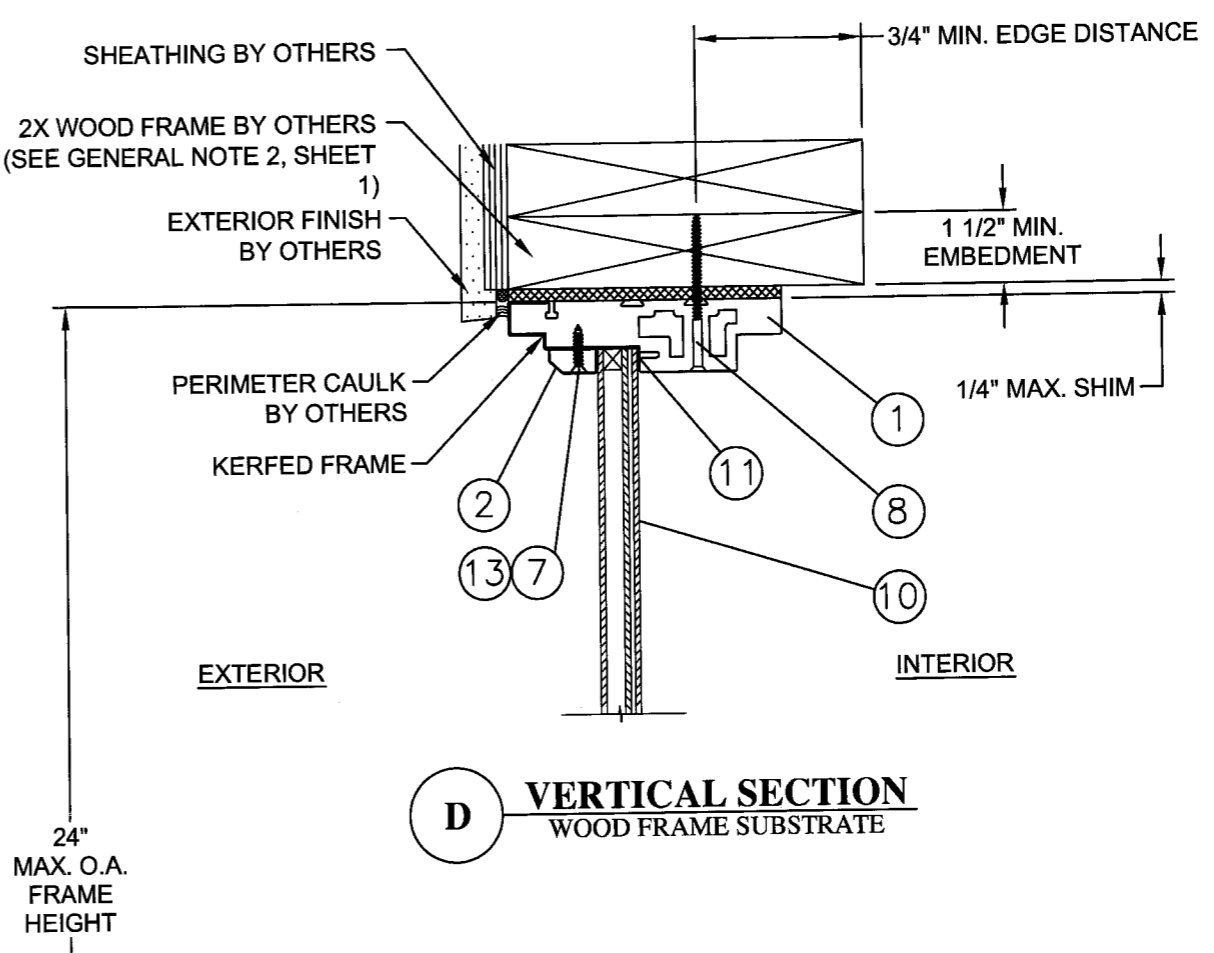
NAN YA PLASTICS CORP. 8989 NORTH LOOP EAST HOUSTON, TX 77029		DATE:	01/26/09	DRAWING NO.:	NAN0018	SHEET:	2 OF 5
IMPACT O.S. TRANSON ELEVATIONS & ANCHOR LAYOUTS		DRAWN BY:	BB	SCALE:	N.T.S.	REV:	A
PREPARED BY:		PTC, LLC Phone 321.690.1788 Fax 321.690.1789					

PROJECT #308-1209.22
Paul E. Winter
Florida P.E. No. 22662
PTC, LLC
1535 N. Cogswell Street, Suite C-25
Rockledge, Florida 32955
FBPE Certificate of Authorization NO. 25935

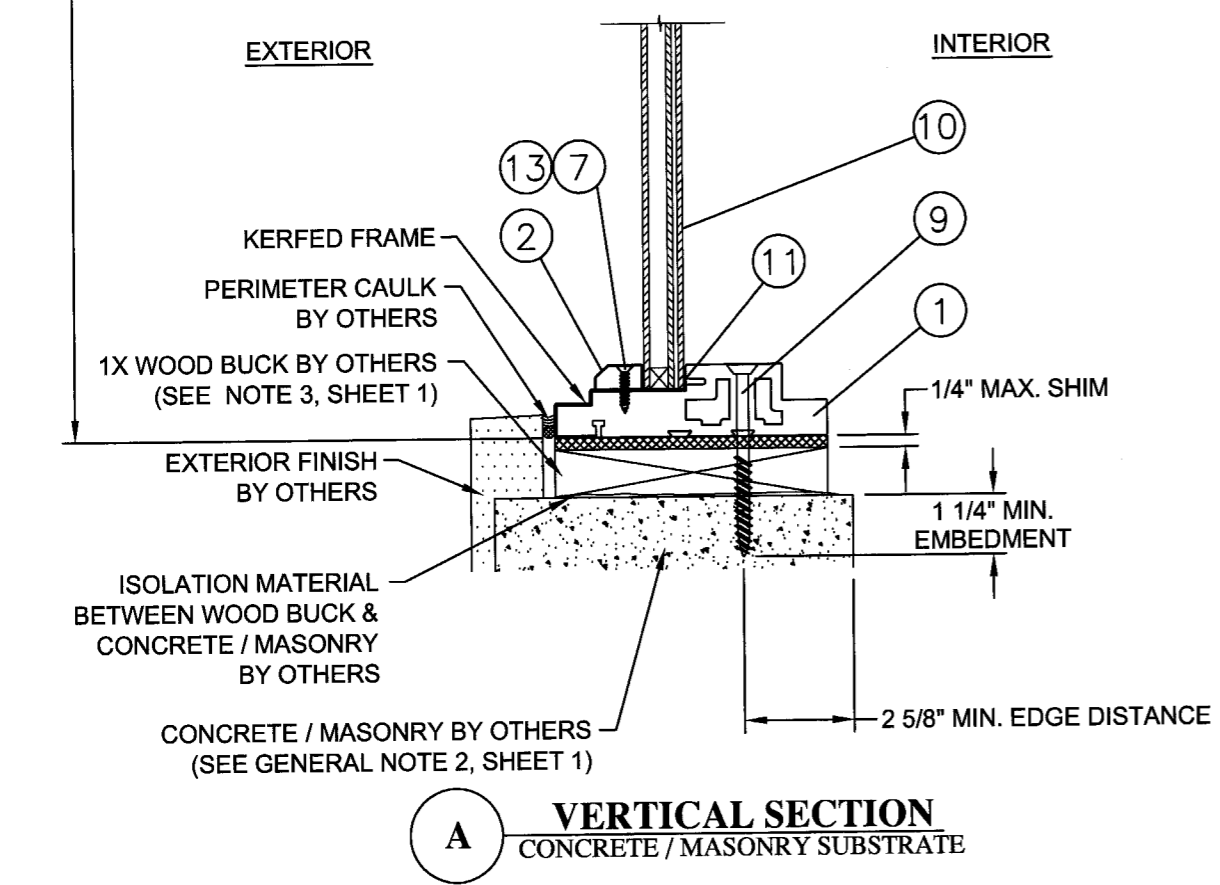
Approved as complying with the Florida Building Code
Date JULY 15, 2009
NOA# 09-0303.03
Miami Dade Product Control Division
By Paul E. Winter



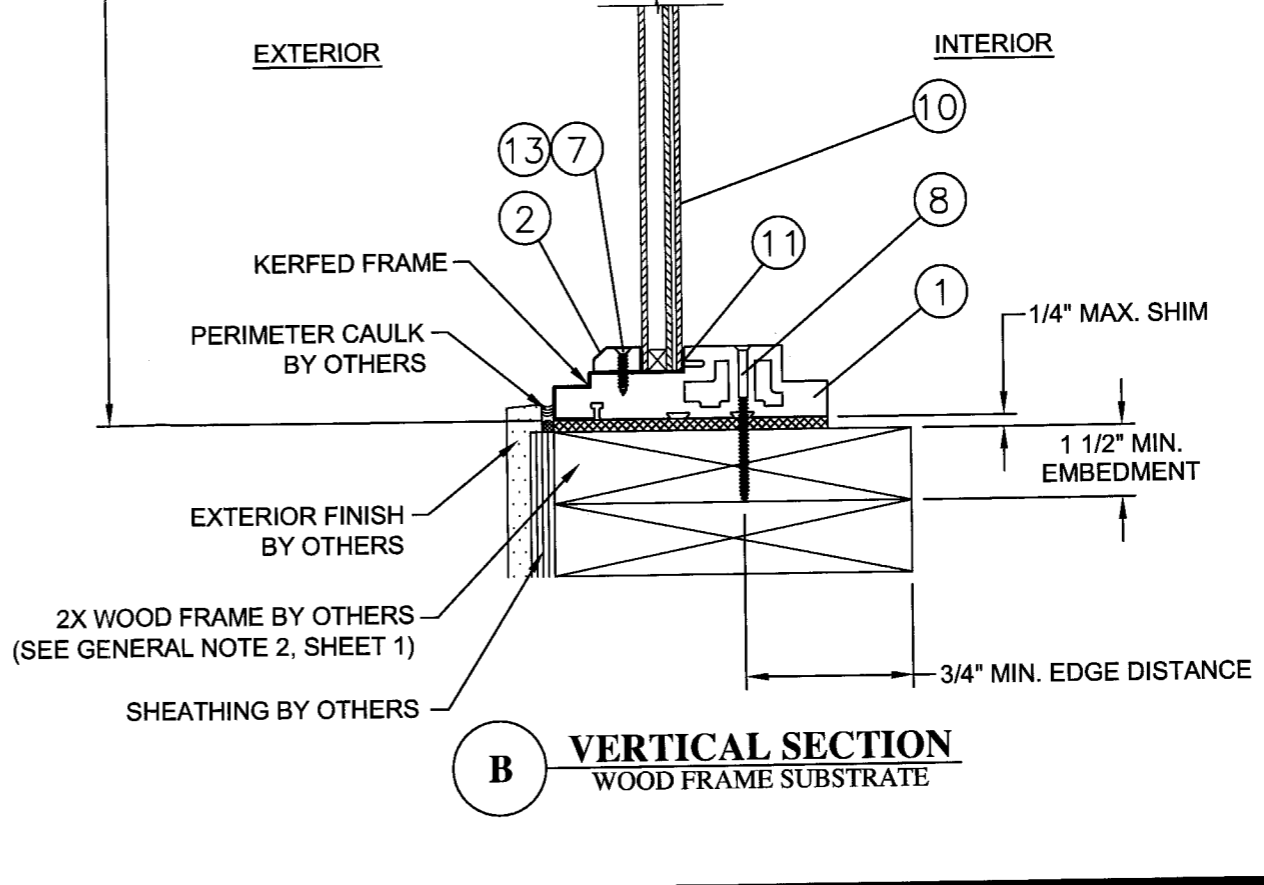
C VERTICAL SECTION
CONCRETE / MASONRY SUBSTRATE



D VERTICAL SECTION
WOOD FRAME SUBSTRATE



A VERTICAL SECTION
CONCRETE / MASONRY SUBSTRATE



B VERTICAL SECTION
WOOD FRAME SUBSTRATE

DATE:	01/19/09
APPROVED BY:	Paul E. Winter
REVISIONS PER	MIAMI-DADE
DATE	06/03/09
BY	BB

DATE:	01/26/09
DRAWING NO.	NAN0018
SCALE:	N.T.S.
REV:	A
SHEET:	3 OF 5

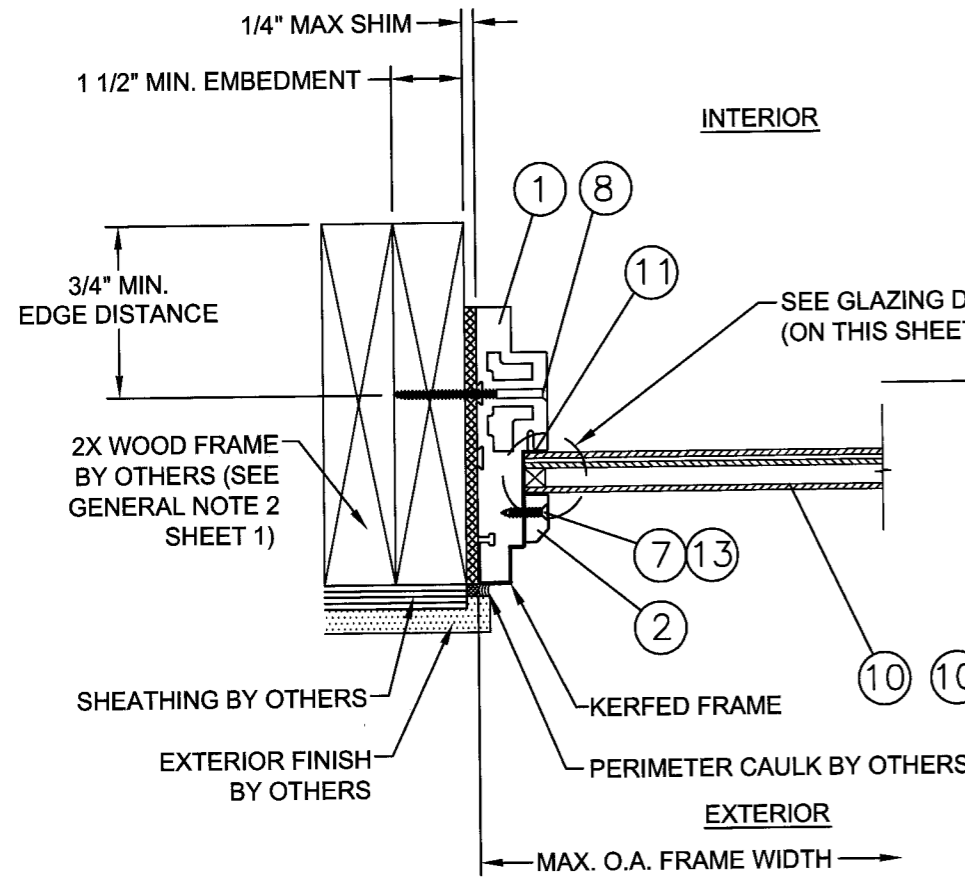
NAN YA PLASTICS CORP.
8989 NORTH LOOP EAST
HOUSTON, TX 77029
IMPACT O.S. TRANSON
VERTICAL SECTIONS

PREPARED BY:
FPE
PTC, LLC
Phone 321.690.1788
Fax 321.690.1789

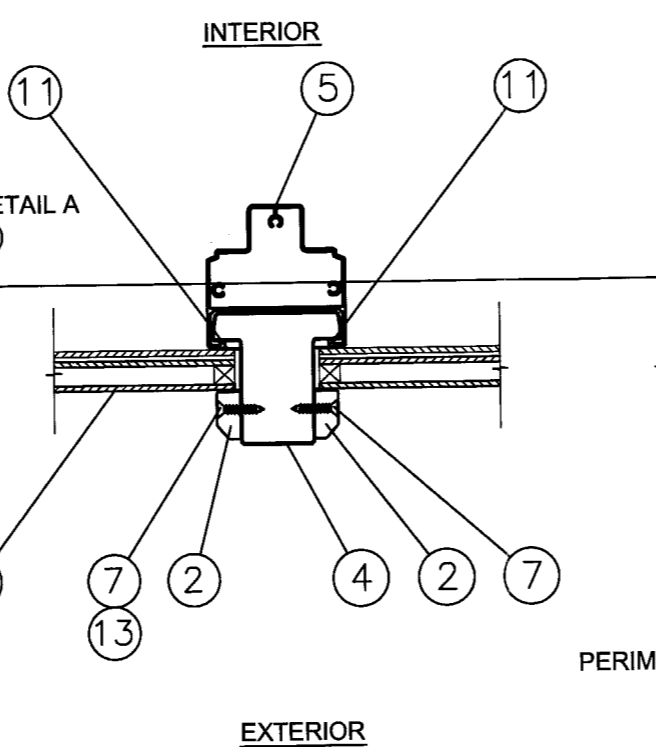
PROJECT #308-1209.22
Paul E. Winter
Florida P.E. No. 22699
July 13, 2009
NOA# 09-0305-03
Miami Dade Product Control
Division
By: *[Signature]*

1535 N. Cogswell Street, Suite C25
Rockledge, Florida 32955
FBPE Certificate of Authorization No. 25635

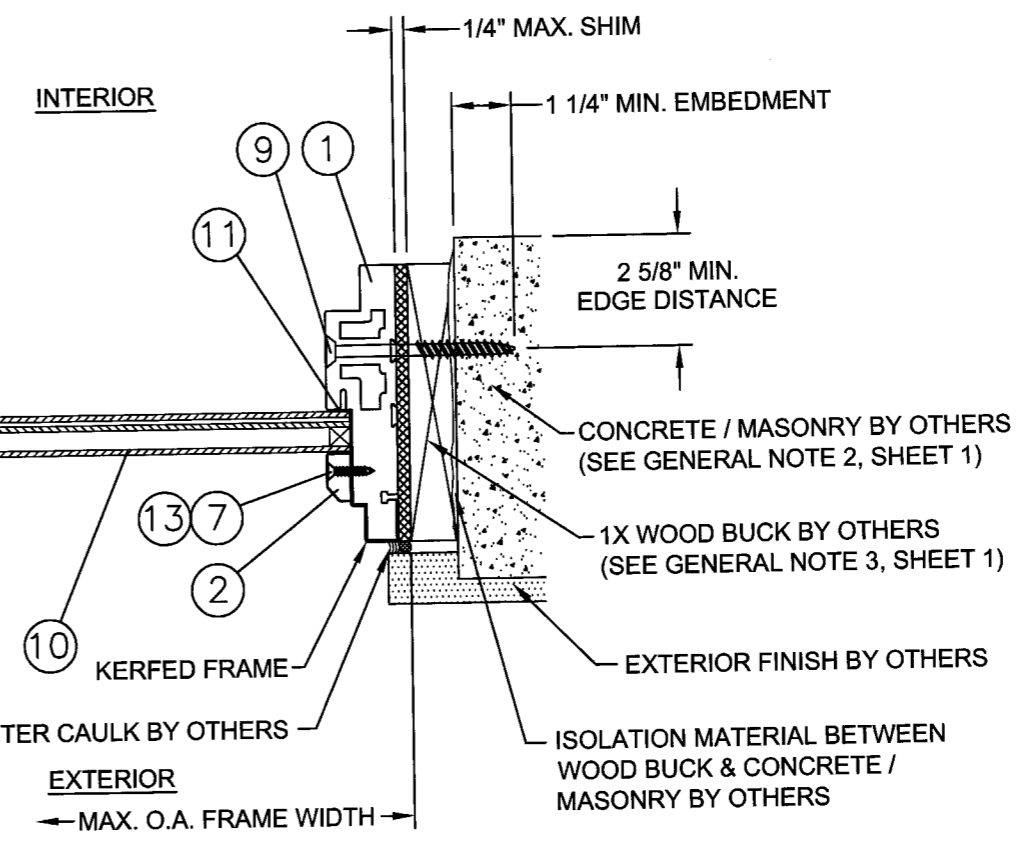
Approved as complying with the
Florida Building Code
Date July 13, 2009
NOA# 09-0305-03
Miami Dade Product Control
Division
By: *[Signature]*



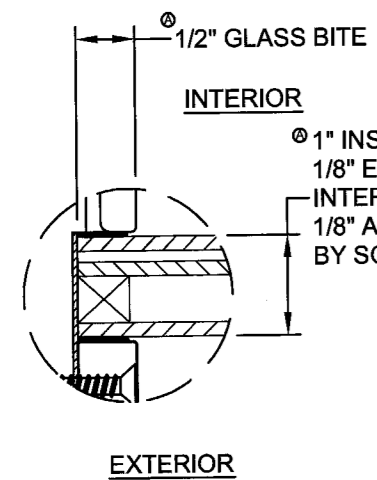
E HORIZONTAL SECTION
WOOD FRAME SUBSTRATE



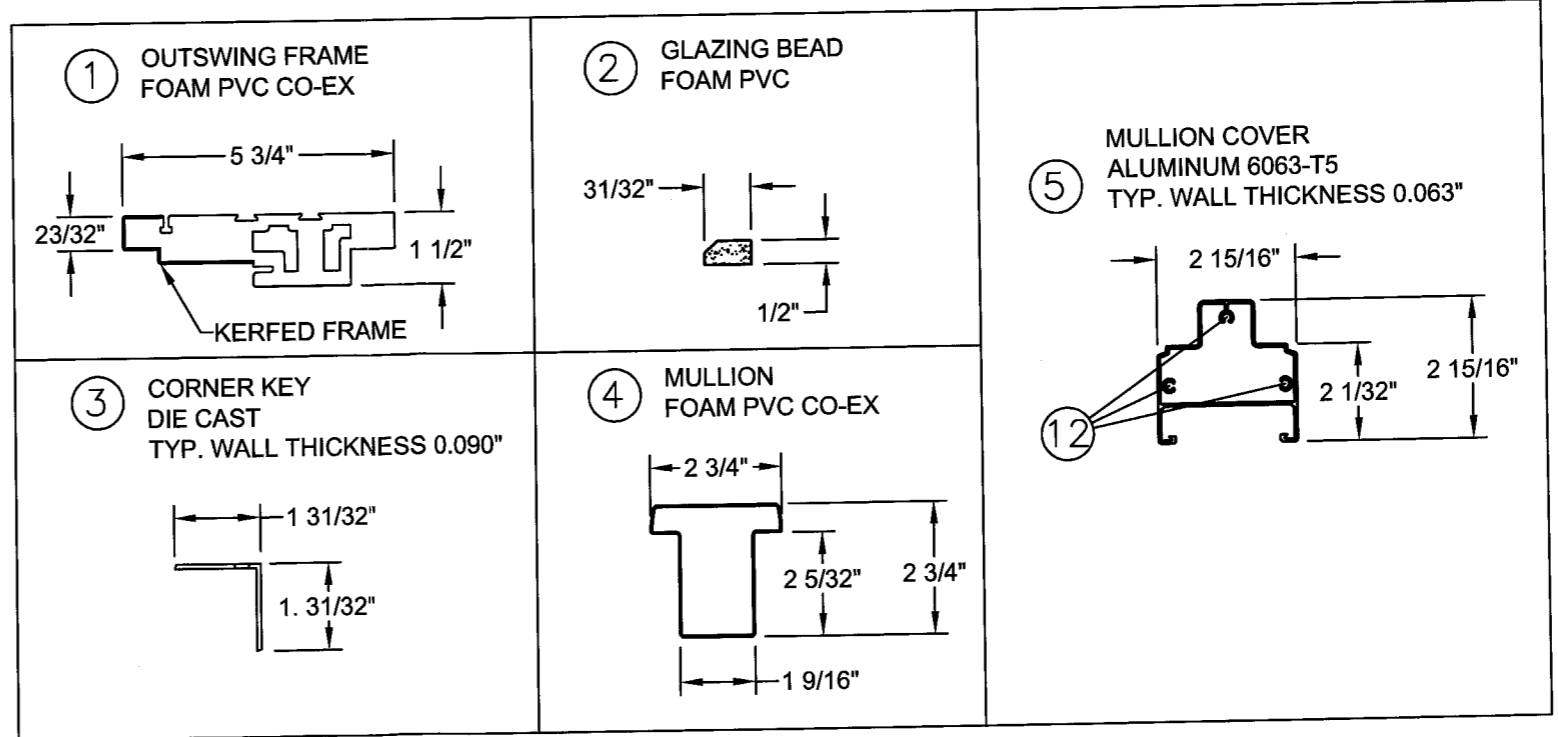
G HORIZONTAL SECTION
MULLION



F HORIZONTAL SECTION
CONCRETE / MASONRY SUBSTRATE



GLAZING DETAIL A



DATE:	01/19/09
APPROVED BY:	Paul E. Winter
REVISIONS PER	MIAMI-DADE
DATE	06/03/09
BY	BB

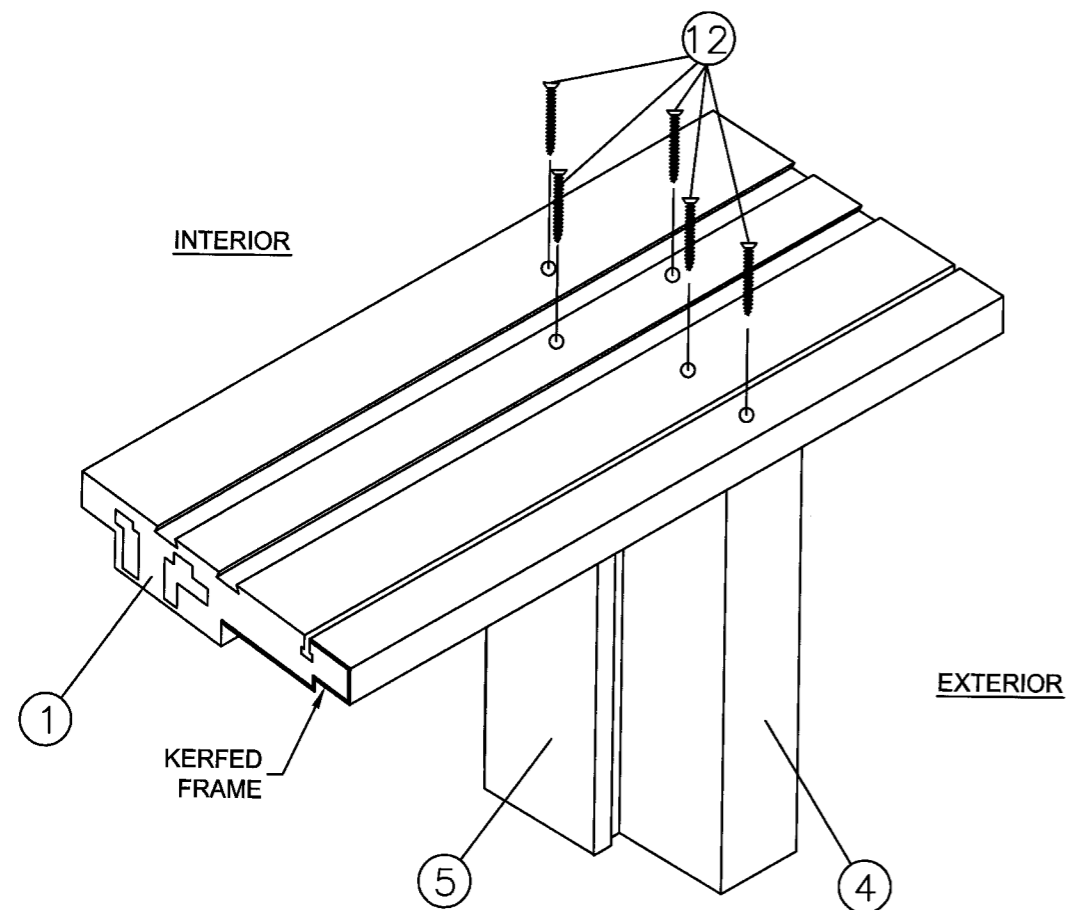
NAN YA PLASTICS CORP. 8989 NORTH LOOP EAST HOUSTON, TX 77029		DATE: 01/26/09 DRAWING NO: NAN0018 SHEET: 4 OF 5
IMPACT O.S. TRANSON HORIZONTAL SECTIONS & GLAZING DETAIL		DRAWN BY: BB SCALE: N.T.S. REV: A
PREPARED BY:		REV: 4 OF 5

PROJECT #308-1209.22
 Paul E. Winter
 Florida P.E. No. 22996
 4/19/09
 PTC, LLC
 1535 N. Cogswell Street, Suite C25
 Rockledge, Florida 32955
 Phone 321.690.1788
 Fax 321.690.1789
 FBPE Certificate of Authorization NO. 25955

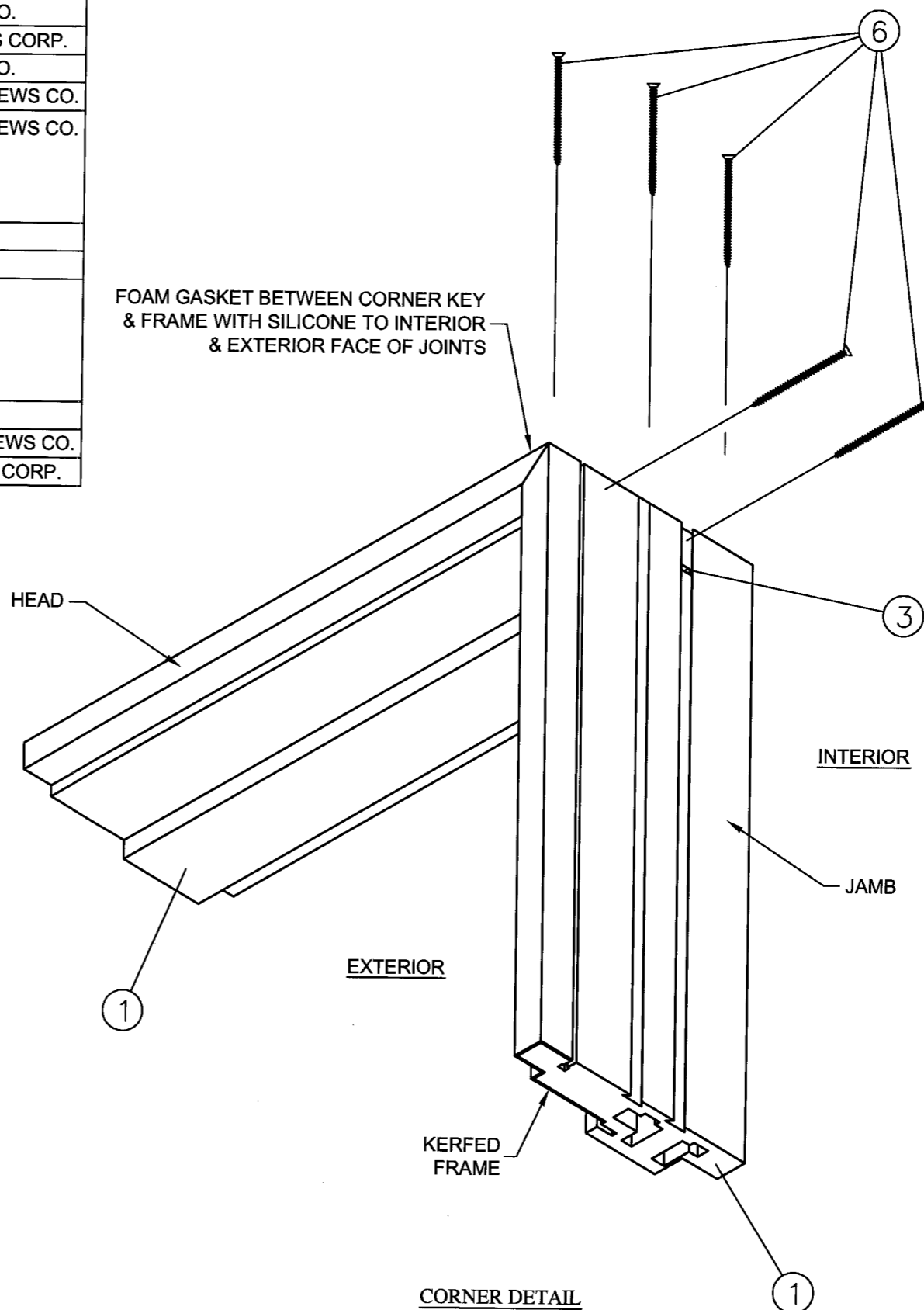
Approved as complying with the
 Florida Building Code
 Date **JULY 15, 2009**
 NOA# **09-0305.03**
 Miami Dade Product Control
 Division
 By *[Signature]*

BILL OF MATERIALS

NO.	DESCRIPTION.	MATERIAL	MANUFACTURER
1	OUTSWING FRAME	FOAM PVC CO-EX	NAN-YA PLASTICS CORP.
2	GLAZING BEAD	FOAM PVC	NAN-YA PLASTICS CORP.
3	CORNER KEY	DIE CAST	MICOTA LOCKS CO.
4	MULLION	FOAM PVC CO-EX	NAN-YA PLASTICS CORP.
5	MULLION COVER	ALUMINUM 6063-T5	MICOTA LOCKS CO.
⊕ 6	#10 X 3" PFH SCREW	STAINLESS STEEL	ZHONG-QUN SCREWS CO.
⊕ 7	#10 X 1" PFH SCREWS SPACED 2 3/4" & 8 3/4" FROM CORNERS @ JAMBS. 2 3/4" FROM CORNERS & 8 1/4" O.C. THEREAFTER @ HEAD/SILL FOR UNIT W/O MULLION & 2" FROM CORNERS & 8 5/8" O.C. THEREAFTER @ HEAD/SILL FOR UNIT W/ MULLIONS.	STAINLESS STEEL	ZHONG-QUN SCREWS CO.
⊕ 8	#10 PFH INSTALLATION ANCHOR	STEEL	-----
9	3/16" ITW TAPCON INSTALLATION ANCHOR	STEEL	ITW
⊕ 10	1" INSULATED GLASS UNIT CONSISTING OF: 1/8" EXTERIOR TEMPERED GLASS/ ARGON SPACE/ INTERIOR LAMINATED GLASS COMPRISED OF: 1/8" ANNEALED GLASS/ 0.090" SAFLEX PVB INTERLAYER BY SOLUTIA/ 1/8" ANNEALED GLASS BY CARDINAL	GLASS	CARDINAL
11	BACKBEDDING DOW CORNING 995 SILICONE	SILICONE	DOW CORNING
12	#10 X 2 1/2" PH. SQ. DRIVE HD. SCREWS	STAINLESS STEEL	ZHONG-QUN SCREWS CO.
13	PLUG	PVC	NAN YA PLASTICS CORP.



⊕ MULLION / FRAME HEAD ASSEMBLY



CORNER DETAIL

DATE:	01/19/09	REVISIONS PER	06/03/09	BB	BY
APPROVED BY:	Paul E. Winter	MIAMI-DADE			
		A	REV	DESCRIPTION	DATE

NAN YA PLASTICS CORP.
8989 NORTH LOOP EAST
HOUSTON, TX 77029

IMPACT O.S. TRANSON
BILL OF MATERIALS, CORNER DETAIL & MULLION/ FRAME HEAD ASSEMBLY

PREPARED BY: PTC, LLC
Phone 321.690.1788
Fax 321.690.1789

DATE: 01/26/09
DRAWING NO: NAN0018
SHEET: 5 OF 5

SCALE: N.T.S.
REV: A

PROJECT #308-1209.22

Paul E. Winter
Florida P.E. No. 22696

PTC, LLC
1535 N. Cogswell Street, Suite C25
Rockledge, Florida 32955
FBPE Certificate of Authorization No. 26935

Approved as complying with the Florida Building Code
Date JULY 15, 2009
NOA# 09-0305.03
Miami-Dade Product Control Division
By [Signature]