

Florida Building Code Product Approval

FL10182.5-R5 Impact- 12'0" x 8'0" Gliding Full Lite DP50 (X, OX, OXO, XX, OXXO)

FL #	FL10181-R5										
Application Type	Revision										
Code Version	2010										
Application Status	Approved										
	*Approved by DBPR. Approvals by DBPR shall be reviewed and ratified by the POC and/or the Commission if necessary.										
Comments											
Archived	<input type="checkbox"/>										
Product Manufacturer	Nan Ya Plastics Corporation USA										
Address/Phone/Email	8989 North Loop East Houston, TX 77029 (713) 674-7822 Ext 105 ajen96@yahoo.com.tw										
Authorized Signature	RUSKIN WU ajen96@yahoo.com.tw										
Technical Representative	Ruskin Wu										
Address/Phone/Email	8989 North Loop East Houston, TX 77029-1217 (713) 674-7822 Ext 105 ajen96@yahoo.com.tw										
Quality Assurance Representative											
Category	Exterior Doors										
Subcategory	Sliding Exterior Door Assemblies										
Compliance Method	Certification Mark or Listing										
Certification Agency	National Accreditation & Management Institute										
Validated By	National Accreditation & Management Institute,										
Referenced Standard and Year (of Standard)	<table border="0"> <thead> <tr> <th><u>Standard</u></th> <th><u>Year</u></th> </tr> </thead> <tbody> <tr> <td>AAMA/WDMA/CSA 101/I.S.2/A440</td> <td>2008</td> </tr> <tr> <td>ANSI/AAMA/NWWDA 101/I.S.2</td> <td>1997</td> </tr> <tr> <td>ASTM E1886</td> <td>2005</td> </tr> <tr> <td>ASTM E1996</td> <td>2006</td> </tr> </tbody> </table>	<u>Standard</u>	<u>Year</u>	AAMA/WDMA/CSA 101/I.S.2/A440	2008	ANSI/AAMA/NWWDA 101/I.S.2	1997	ASTM E1886	2005	ASTM E1996	2006
<u>Standard</u>	<u>Year</u>										
AAMA/WDMA/CSA 101/I.S.2/A440	2008										
ANSI/AAMA/NWWDA 101/I.S.2	1997										
ASTM E1886	2005										
ASTM E1996	2006										
Equivalence of Product Standards Certified By											

Florida Building Code Product Approval

FL10182.5-R5 Impact- 12'0" x 8'0" Gliding Full Lite DP50 (X, OX, OXO, XX, OXXO)

Product Approval Method	Method 1 Option A
Date Submitted	04/14/2014
Date Validated	08/06/2014
Date Pending FBC Approval	
Date Approved	08/10/2014

FL #	Model, Number or Name	Description
10181.5	SERIES "SPLS GLIDING PATIO DOOR"	SERIES "SPLS GLIDING PATIO DOOR" FIBERGLASS SLIDING DOOR W/ SIDELITE
Limits of Use Approved for use in HVHZ: No Approved for use outside HVHZ: Yes Impact Resistant: Yes Design Pressure: +50/-50 Other:		Certification Agency Certificate FL10181_R5_C_CAC_NI009467-R3.pdf Quality Assurance Contract Expiration Date 02/28/2015 Installation Instructions FL10181_R5_II_08-01664.pdf Verified By: Luis Roberto Lomas 62514 Created by Independent Third Party: Yes Evaluation Reports FL10181_R5_AE_512343A.pdf Created by Independent Third Party: Yes

Florida Building Code Product Approval

FL10182.5-R5 Impact- 12'0" x 8'0" Gliding Full Lite DP50 (X, OX, OXO, XX, OXXO)

NOTICE OF PRODUCT CERTIFICATION



CERTIFICATION NO: NI009467-R3
DATE: 05/19/2007
CERTIFICATION PROGRAM: Structural
COMPANY: Nan Ya
CODE: 661-1
REVISION DATE: 07/29/2014

To verify that the "Notice of Product Certification" is valid, please visit www.NAMICertification.com to assure that the product is active and currently listed. This certification represents product conformity to the applicable specification and that certification criteria has been satisfied. A NAMI approved certification label must be applied to the product to claim certification status. Please review and advise NAMI if any corrections are required to this document.

COMPANY NAME AND ADDRESS	PRODUCT DESCRIPTION
Nan Ya Plastics Corporation USA 8989 North Loop East, Suite 800 Houston, TX 77029	"Fiberglass Gliding French Patio Doors" w/Reinforced Sidelites Fiberglass Sliding Glass Door Configuration: OXXO Glazing: IG-1/8" Tempered Glass/ Laminate-1/8" Annealed Glass/0.090" PVB by Solutia/ 1/8" Annealed Glass Frame: W-3585mm(141.13") H-2426mm(95.5") Panel: W-908mm(35.75") H-2346mm(92.38")

SPECIFICATION	PRODUCT RATING
ANSI/AAMA/NWDA 101/L.S.2-97 TAS 201/202/203-94 ASTM E1886-02/E1996-02 ASTM E1304-02	SGD-R50 Design Pressure: ± 2400 Pa (50 psf) Large Missile Impact Rated Wind Zone 4-Missile Level D FER-Passed

Product Tested By: Certified Testing Laboratories
Report No: CTLA-1602W/CTLA-1602W-1/CTLA-1602W-2
Expiration Date: February 28, 2015

Administrator's Signature: _____ 

NATIONAL ACCREDITATION AND
MANAGEMENT INSTITUTE, INC.
4794 George Washington Memorial Highway
Hayes, VA 23072
Tel: (804) 684-5124 Fax: (804) 684-5122

Florida Building Code Product Approval

FL10182.5-R5 Impact- 12'0" x 8'0" Gliding Full Lite DP50 (X, OX, OXO, XX, OXXO)

L. Roberto Lomas P.E.

233 W. Main St
Danville, VA 24541
434-688-0609
rlomas@lrlomaspe.com

Engineering Evaluation Report

Report No.: 512343A

Manufacturer: Nan Ya Plastics Corp. USA
8989 North Loop East
Houston, TX 77029

Product Line: Series "SPLS Gliding Patio Door Fiberglass Sliding Door w/ Sidelite

Compliance:

The above mentioned product has been evaluated for compliance with the requirements of the Florida Department of Business and Professional Regulation for Statewide Acceptance per Rule 61G20-3.005 method 1(a). The product listed herein complies with requirements of the Florida Building Code.

Supporting Technical Documentation:

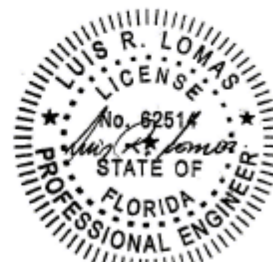
1. Approval document: drawing number 08-01664, prepared, signed and sealed by Luis Roberto Lomas P.E.
2. Report No.: CTLA-1602W signed and sealed by Ramesh Patel P.E.
Certified Testing Laboratories, Orlando, FL
TAS 201-04 Large Missile Impact Test, Level D, Wind Zone 4
TAS 202-04 Uniform Static Air Pressure, ± 50.0 psf design pressure, 7.5psf water penetration.
TAS 203-04 Cyclic Pressure loading ± 50.0 psf design pressure
4. Report No.: CTLA-1602W-1 signed and sealed by Ramesh Patel P.E.
Certified Testing Laboratories, Orlando, FL
AAMA/NWDA 101/1.S.2-97
Design pressure: ± 50.0 psf
Water penetration resistance: 7.5psf
5. Report No.: CTLA-1602W-2 signed and sealed by Ramesh Patel P.E.
Certified Testing Laboratories, Orlando, FL
ASTM E1886-02 and ASTM E1996-02
ASTM E1886/ E1996 Large Missile Impact, Level D, Wind Zone 4
ASTM E1886/ E1996 Cyclic Load Test, ± 50.0 psf design pressure
6. Anchor calculations, report number 512343-1, prepared, signed and sealed by Luis Roberto Lomas P.E.

Limitations and Conditions of use:

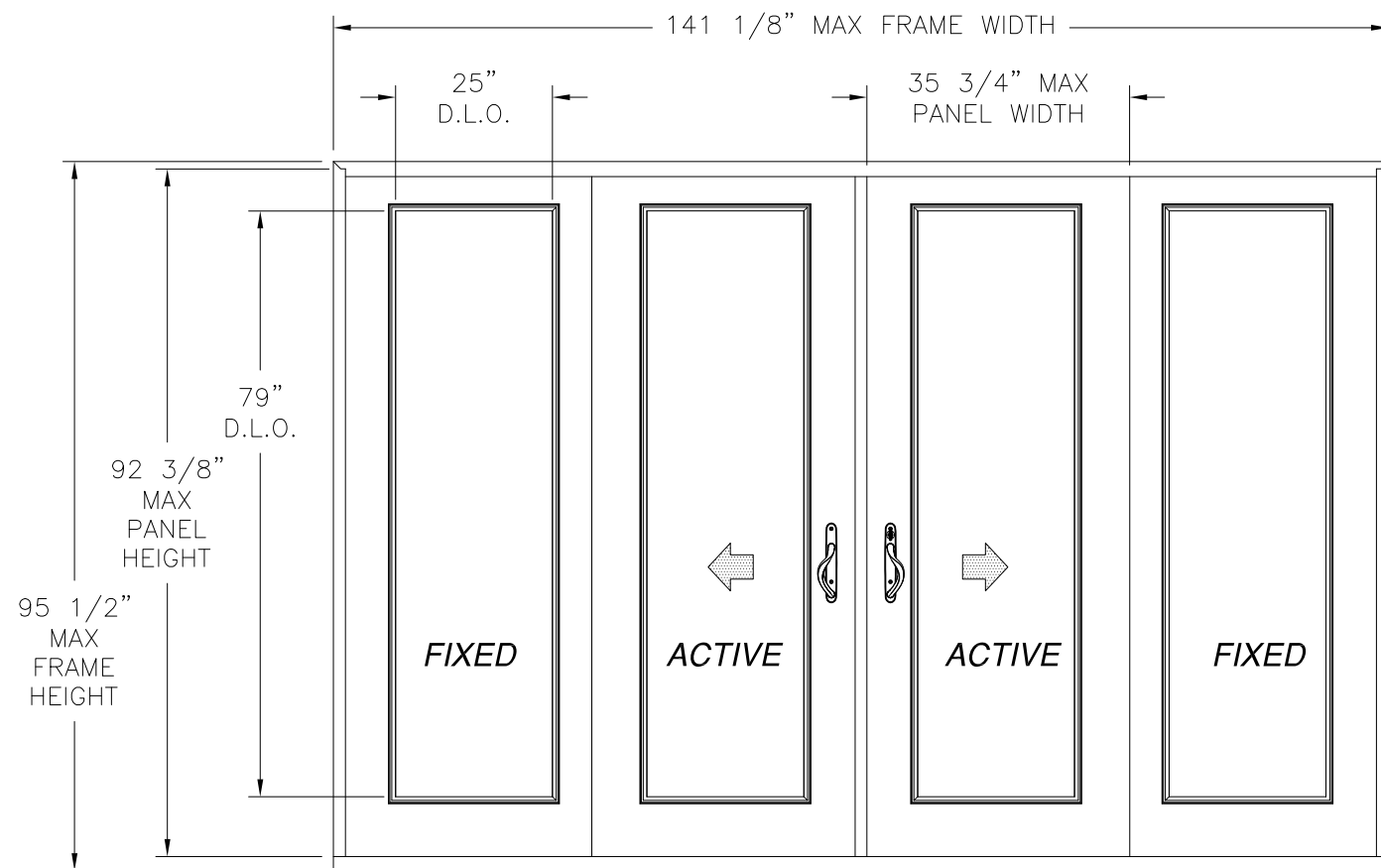
- Maximum design pressure: ± 50.0 psf
- Maximum unit size: 141 1/8" x 95 1/2"
- Units must be glazed per ASTM E 1300-04, see installation instructions for glass options.
- This product is not rated to be used in the HVHZ.
- These products is impact resistant and does not require impact protection in wind borne debris regions.

Installation: Units must be installed in accordance with approval document, 08-01664.

Certification of Independence: Please note that I don't have nor will acquire a financial interest in any company manufacturing or distributing the product(s) for which this report is being issued. Also, I don't have nor will acquire a financial interest in any other entity involved in the approval process of the listed product(s).



REVISIONS			
REV	DESCRIPTION	DATE	APPROVED



NOTES:

1. THE PRODUCT SHOWN HEREIN IS DESIGNED AND MANUFACTURED TO COMPLY WITH REQUIREMENTS OF THE FLORIDA BUILDING CODE.
2. WOOD FRAMING AND MASONRY OPENING TO BE DESIGNED AND ANCHORED TO PROPERLY TRANSFER ALL LOADS TO STRUCTURE. FRAMING AND MASONRY OPENING IS THE RESPONSIBILITY OF THE ARCHITECT OR ENGINEER OF RECORD.
3. 1X BUCK OVER MASONRY/CONCRETE IS OPTIONAL. WHERE 1X BUCK IS NOT USED DISSIMILAR MATERIALS MUST BE SEPARATED WITH APPROVED COATING OR MEMBRANE. SELECTION OF COATING OR MEMBRANE IS THE RESPONSIBILITY OF THE ARCHITECT OR ENGINEER OF RECORD.
4. UNITS MUST BE GLAZED PER ASTM E1300-04, SEE SHEET 2 FOR GLASS OPTIONS.
5. APPROVED IMPACT PROTECTIVE SYSTEM IS NOT REQUIRED FOR THIS PRODUCT IN WIND BORNE DEBRIS REGIONS.
6. FRAME JAMB AND HEAD MATERIAL: CO-EXTRUDED PVC FOAM 1 1/2" THICK.
7. FRAME SILL MATERIAL: CO-EXTRUDED PVC FOAM 2" THICK WITH ALUMINUM CLADDING .063" THICK.
8. DOOR PANEL AND SIDELITE MATERIAL: PVC FOAM TOP AND BOTTOM RAILS, AND PVC FOAM VERTICAL STILES WITH PINE REINFORCEMENTS AND POLYURETHANE FOAM CORE.
9. APPROVED CONFIGURATIONS: OX, XO, AND OXXO. SEE SHEET 2.

SERIES SPLS GLIDING PATIO DOUBLE DOOR W/ SIDELITES
EXTERIOR VIEW

DESIGN PRESSURE RATING	IMPACT RATING
±50PSF	LARGE AND SMALL MISSILE IMPACT

MISSILE LEVEL D, WIND ZONE 4 AND HVHZ

SIGNED: 01/21/2013

NAN YA PLASTICS CORP. USA
8989 NORTH LOOP EAST
HOUSTON, TX 77029

SERIES SPLS GLIDING PATIO DOOR
FIBERGLASS SLIDING DOOR W/ SIDELITES
OXXO ELEVATION AND NOTES

DRAWN: A.P.	DWG NO. 08-01664	REV -
SCALE NTS	DATE 07/03/12	SHEET 1 OF 5

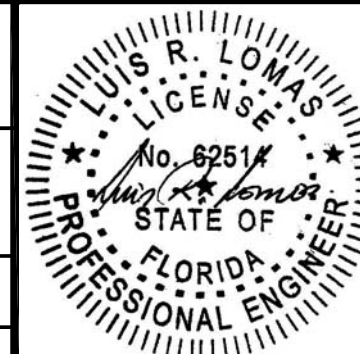
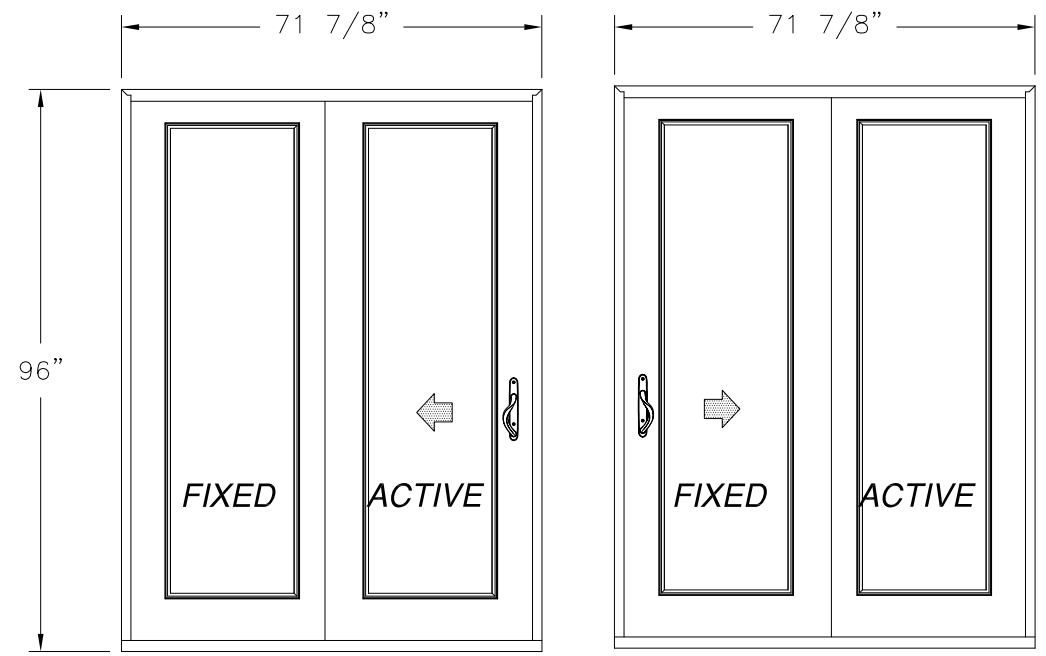


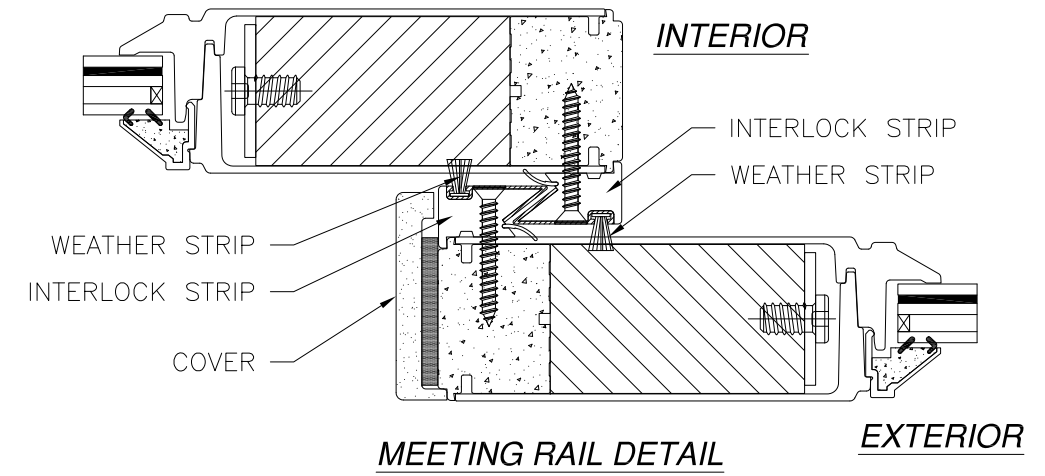
TABLE OF CONTENTS	
SHEET NO.	DESCRIPTION
1	OXXO ELEVATION AND NOTES
2	ADDITIONAL CONFIGURATIONS ANCHOR LAYOUTS & HARDWARE
3 - 5	INSTALLATION DETAILS

REVISIONS			
REV	DESCRIPTION	DATE	APPROVED

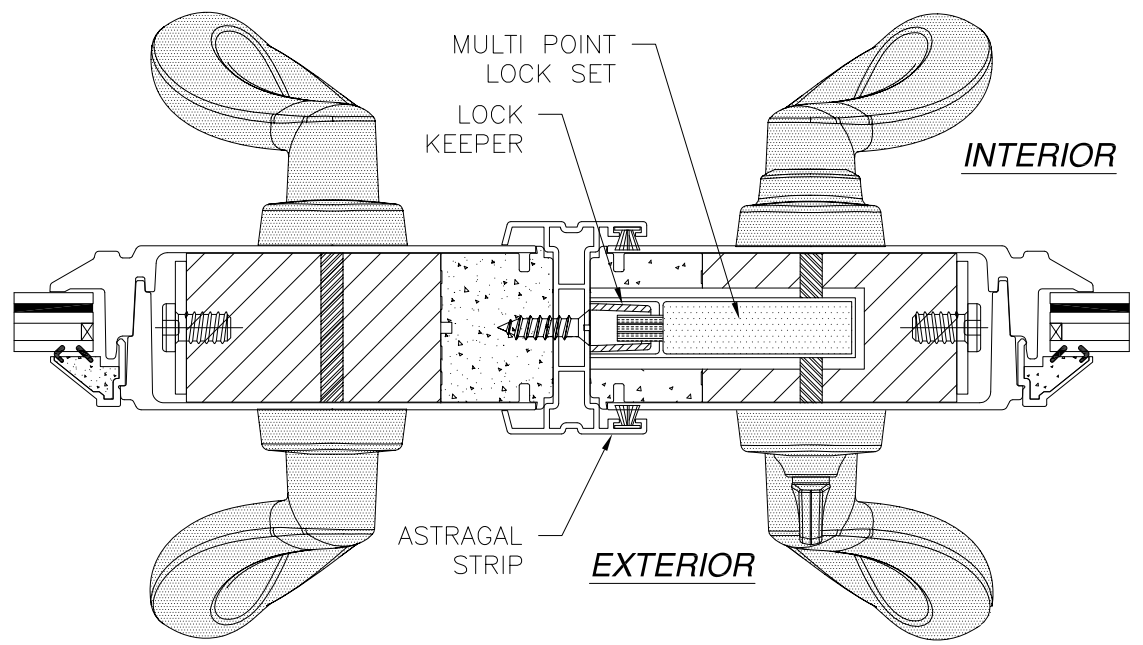


SINGLE W/SIDELITE
EXTERIOR VIEW

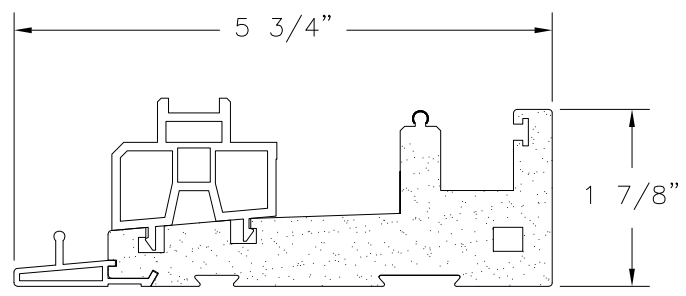
SINGLE W/SIDELITE
EXTERIOR VIEW



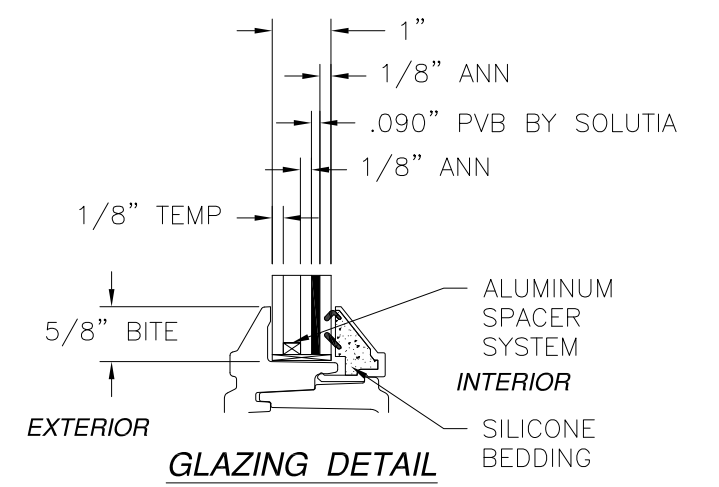
MEETING RAIL DETAIL



ASTRAGAL DETAIL



DOOR SILL



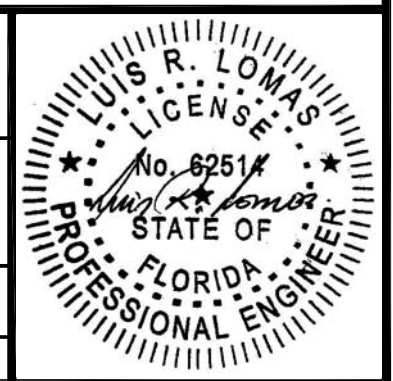
GLAZING DETAIL

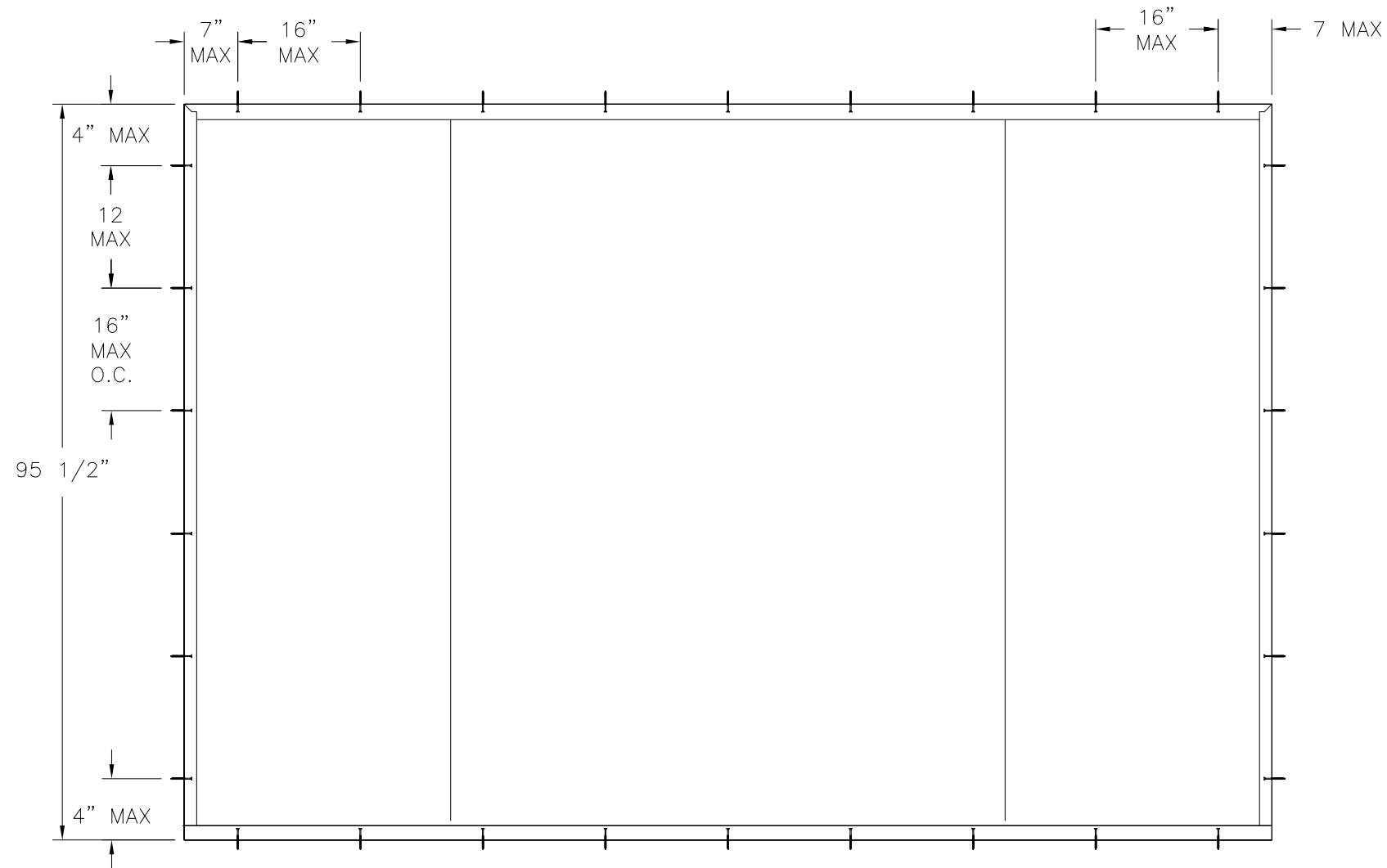
HARDWARE SCHEDULE	
A.	MULTI POINT LOCKING SYSTEM
B.	(1) DIE CAST HANDLE SET PER ACTIVE PANEL
C.	(2) STAINLESS STEEL TANDEM ROLLERS PER PANEL
D.	PVC ASTRAGAL BY NAN YA PLASTICS

NAN YA PLASTICS CORP. USA
8989 NORTH LOOP EAST
HOUSTON, TX 77029

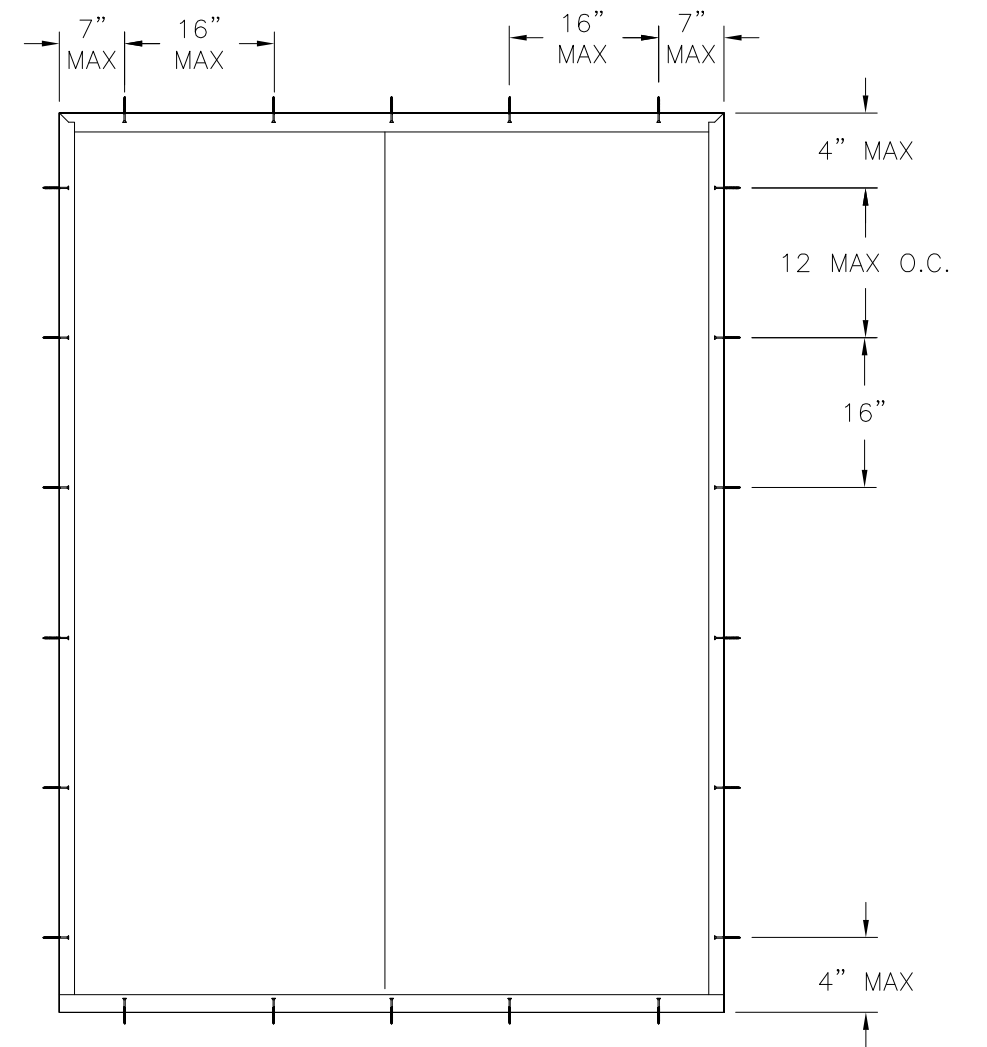
SERIES SPLS GLIDING PATIO DOOR
FIBERGLASS SLIDING DOOR W/ SIDELITES
ADDITIONAL CONFIGURATIONS AND HARDWARE

DRAWN: A.P.	DWG NO. 08-01664	REV -
SCALE NTS	DATE 07/03/12	SHEET 2 OF 5





ANCHORING LAYOUT FOR DOUBLE W/SIDELITES
EXTERIOR VIEW



ANCHORING LAYOUT FOR SINGLE W/SIDELITE
EXTERIOR VIEW

REVISIONS			
REV	DESCRIPTION	DATE	APPROVED

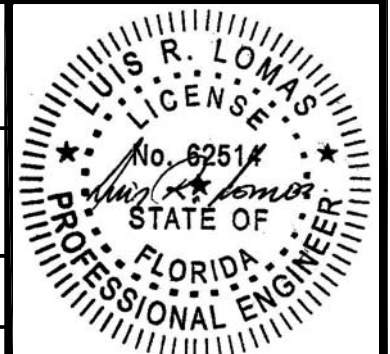
ANCHORING NOTES:

- SHIM AS REQUIRED AT EACH INSTALLATION ANCHOR WITH LOAD BEARING SHIM. SHIM WHERE SPACE OF 1/16" OR GREATER OCCURS. MAXIMUM ALLOWABLE SHIM STACK TO BE 1/4".
- FOR ANCHORING INTO WOOD FRAMING OR 2X BUCK USE #10 WOOD SCREWS WITH SUFFICIENT LENGTH TO ACHIEVE A 1 3/8" MINIMUM EMBEDMENT INTO SUBSTRATE. LOCATE ANCHORS AS SHOWN IN ELEVATIONS AND INSTALLATION DETAILS.
- FOR ANCHORING INTO MASONRY/CONCRETE USE 3/16" TAPCONS WITH SUFFICIENT LENGTH TO ACHIEVE A 1 1/4" MINIMUM EMBEDMENT INTO SUBSTRATE WITH 2 5/8" MINIMUM EDGE DISTANCE. LOCATE ANCHORS AS SHOWN IN ELEVATIONS AND INSTALLATION DETAILS.
- ALL FASTENERS TO BE CORROSION RESISTANT.
- INSTALLATION ANCHORS SHALL BE INSTALLED IN ACCORDANCE WITH ANCHOR MANUFACTURER'S INSTALLATION INSTRUCTIONS AND ANCHORS SHALL NOT BE USED IN SUBSTRATES WITH STRENGTHS LESS THAN THE MINIMUM STRENGTH SPECIFIED BELOW:
 - WOOD - MINIMUM SPECIFIC GRAVITY OF G=0.42
 - CONCRETE - MINIMUM COMPRESSIVE STRENGTH OF 3,192 PSI.
 - MASONRY - STRENGTH CONFORMANCE TO ASTM C-90, GRADE N, TYPE 1 (OR GREATER).

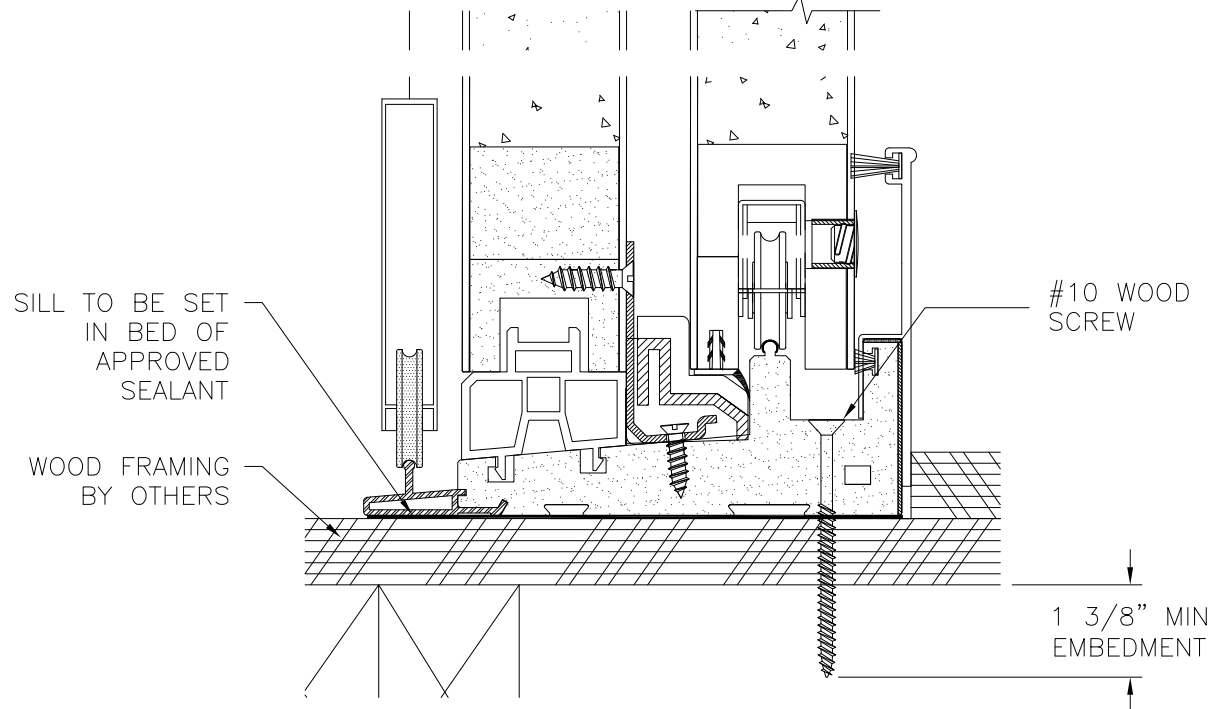
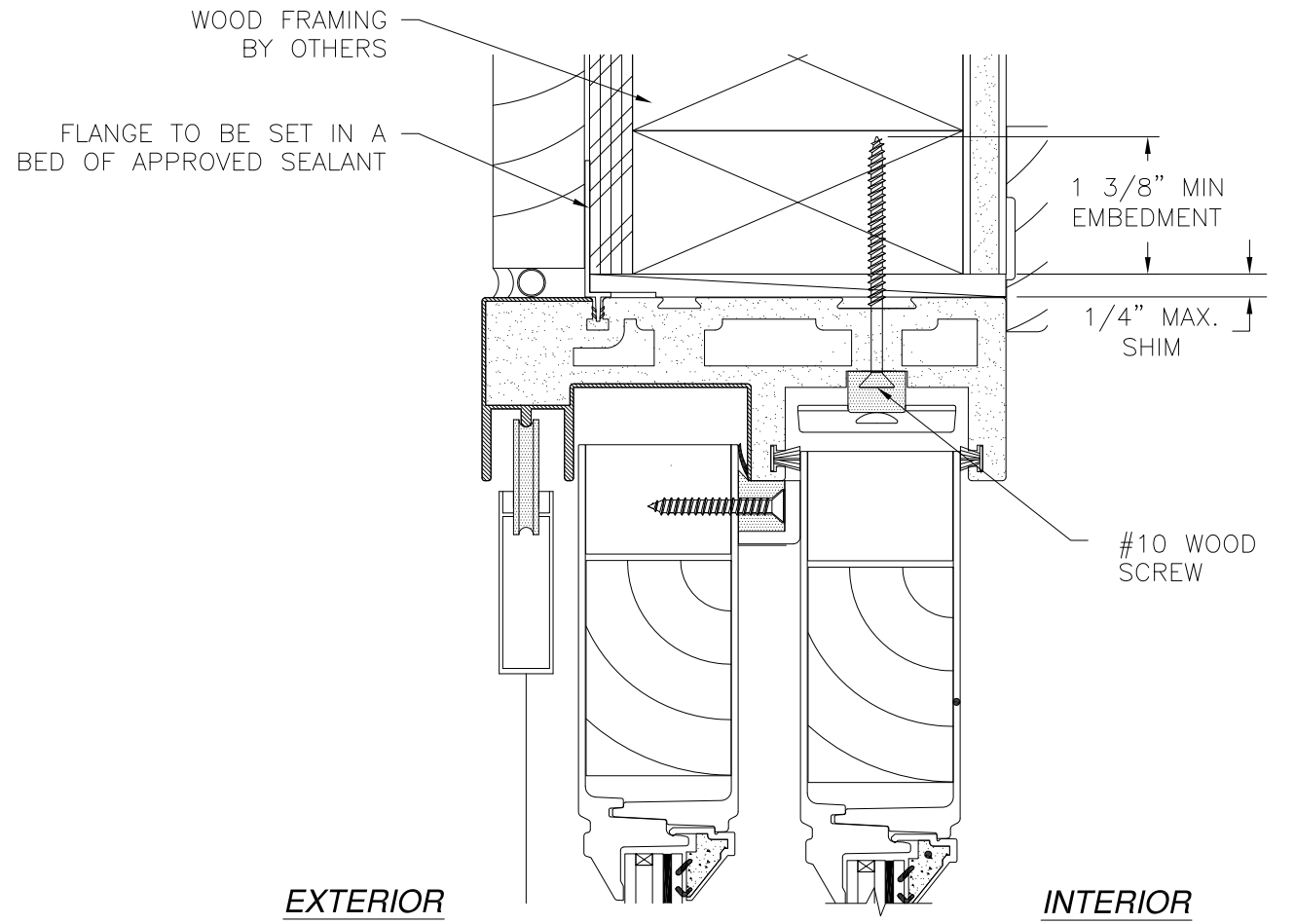
NAN YA PLASTICS CORP. USA
8989 NORTH LOOP EAST
HOUSTON, TX 77029

SERIES SPLS GLIDING PATIO DOOR
FIBERGLASS SLIDING DOOR W/ SIDELITES
ADDITIONAL CONFIGURATION AND HADWARE

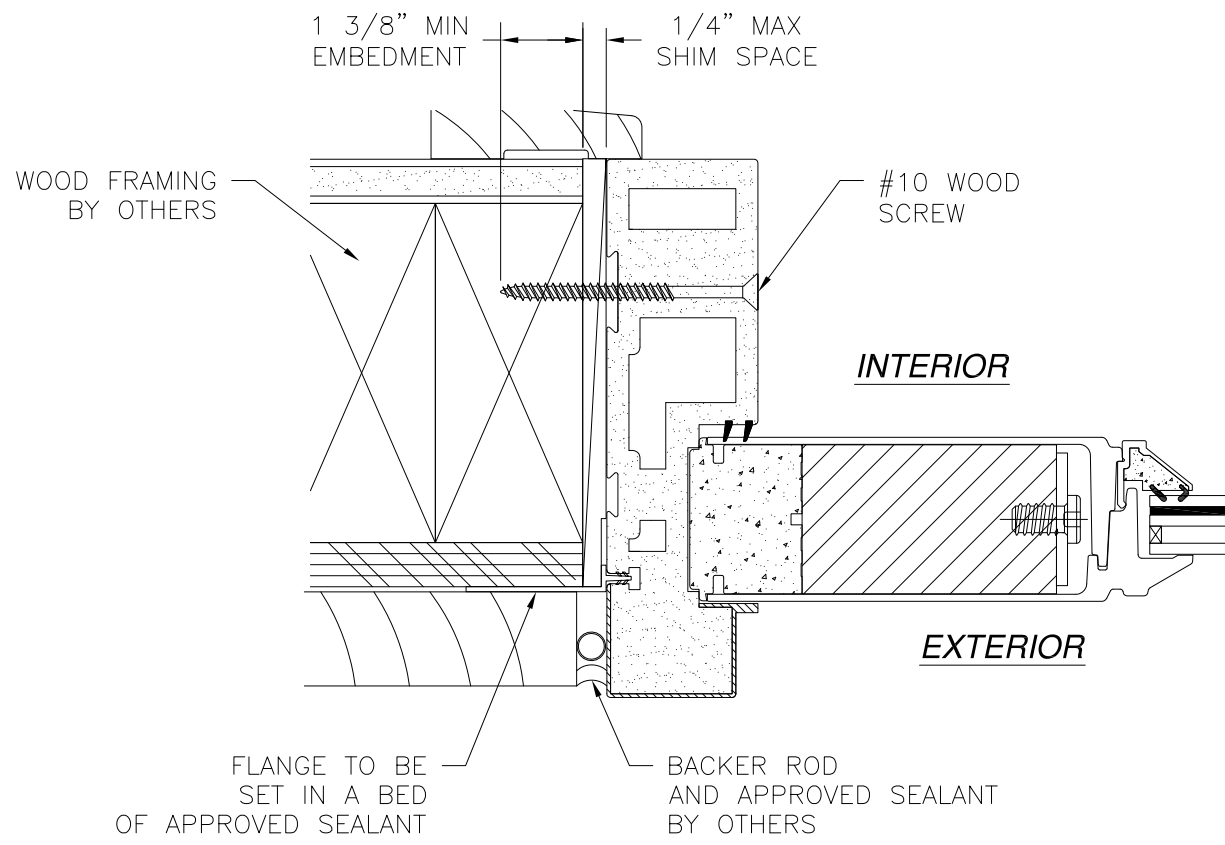
DRAWN: A.P.	DWG NO. 08-01664	REV -
SCALE NTS	DATE 07/03/12	SHEET 3 OF 5



REVISIONS			
REV	DESCRIPTION	DATE	APPROVED



VERTICAL CROSS SECTION
 DOOR SHOWN, SIDELITE SIMILAR
 2X BUCKWOOD FRAMING INSTALLATION

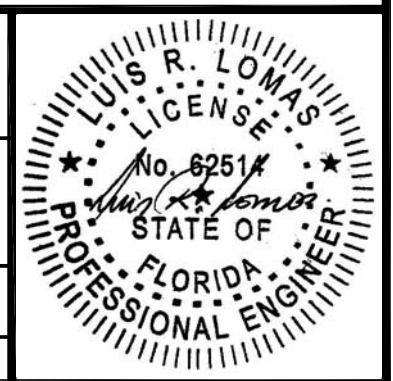


HORIZONTAL CROSS SECTION
 2X BUCKWOOD FRAMING INSTALLATION

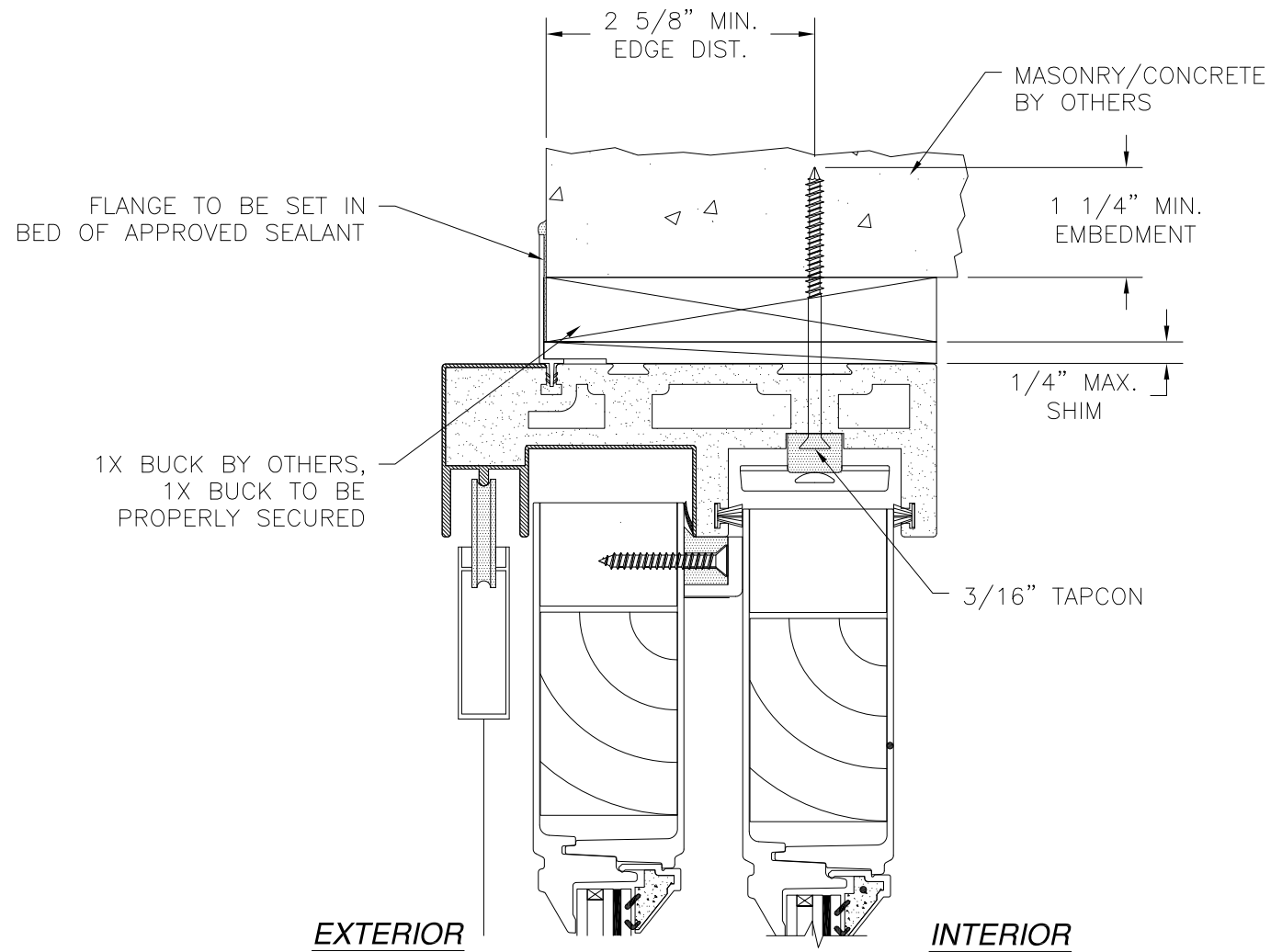
NAN YA PLASTICS CORP. USA
 8989 NORTH LOOP EAST
 HOUSTON, TX 77029

SERIES SPLS GLIDING PATIO DOOR
 FIBERGLASS SLIDING DOOR W/ SIDELITES
 INSTALLATION DETAILS

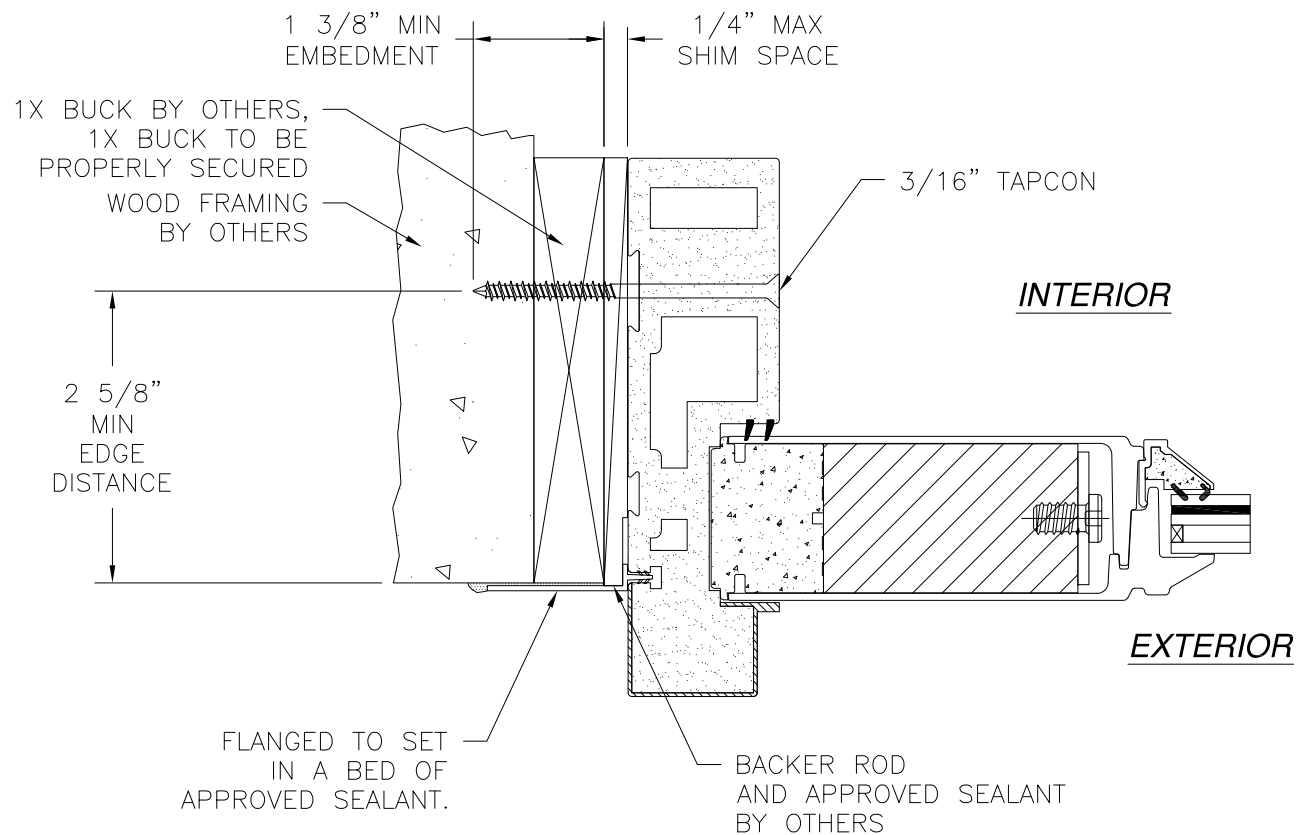
DRAWN: A.P.	DWG NO. 08-01664	REV -
SCALE NTS	DATE 07/03/12	SHEET 4 OF 5



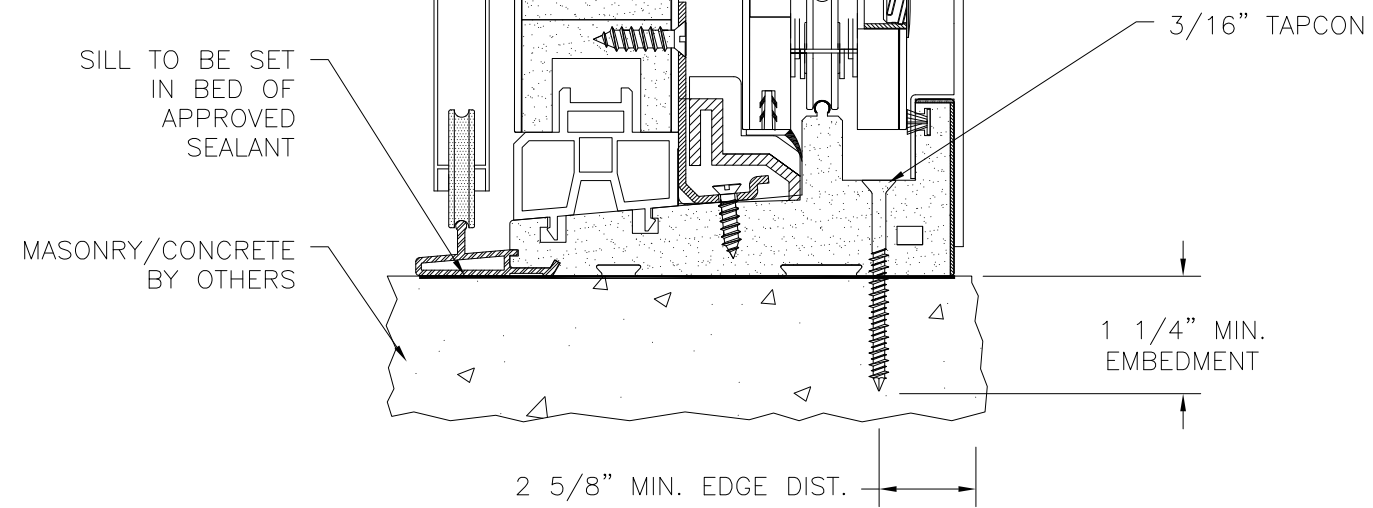
REVISIONS			
REV	DESCRIPTION	DATE	APPROVED



EXTERIOR **INTERIOR**



HORIZONTAL CROSS SECTION
MASONRY/CONCRETE INSTALLATION



VERTICAL CROSS SECTION
MASONRY/CONCRETE INSTALLATION
DOOR SHOWN SIDELITE SIMILAR

NAN YA PLASTICS CORP. USA
8989 NORTH LOOP EAST
HOUSTON, TX 77029

SERIES SPLS GLIDING PATIO DOOR
FIBERGLASS SLIDING DOOR W/ SIDELITES
INSTALLATION DETAILS

DRAWN: A.P.	DWG NO. 08-01664	REV -
SCALE NTS	DATE 07/03/12	SHEET 5 OF 5

