

Florida Building Code Product Approval

FL10182.7-R5 Impact- 12'0" x 8'0" Gliding Full Lite DP50 (with field mullion)

(X, OX, OXO, XX, OXXO)

FL #	FL10181-R5										
Application Type	Revision										
Code Version	2010										
Application Status	Approved										
	*Approved by DBPR. Approvals by DBPR shall be reviewed and ratified by the POC and/or the Commission if necessary.										
Comments											
Archived	<input type="checkbox"/>										
Product Manufacturer	Nan Ya Plastics Corporation USA										
Address/Phone/Email	8989 North Loop East Houston, TX 77029 (713) 674-7822 Ext 105 ajen96@yahoo.com.tw										
Authorized Signature	RUSKIN WU ajen96@yahoo.com.tw										
Technical Representative	Ruskin Wu										
Address/Phone/Email	8989 North Loop East Houston, TX 77029-1217 (713) 674-7822 Ext 105 ajen96@yahoo.com.tw										
Quality Assurance Representative											
Category	Exterior Doors										
Subcategory	Sliding Exterior Door Assemblies										
Compliance Method	Certification Mark or Listing										
Certification Agency	National Accreditation & Management Institute										
Validated By	National Accreditation & Management Institute,										
Referenced Standard and Year (of Standard)	<table border="0"> <thead> <tr> <th><u>Standard</u></th> <th><u>Year</u></th> </tr> </thead> <tbody> <tr> <td>AAMA/WDMA/CSA 101/I.S.2/A440</td> <td>2008</td> </tr> <tr> <td>ANSI/AAMA/NWWDA 101/I.S.2</td> <td>1997</td> </tr> <tr> <td>ASTM E1886</td> <td>2005</td> </tr> <tr> <td>ASTM E1996</td> <td>2006</td> </tr> </tbody> </table>	<u>Standard</u>	<u>Year</u>	AAMA/WDMA/CSA 101/I.S.2/A440	2008	ANSI/AAMA/NWWDA 101/I.S.2	1997	ASTM E1886	2005	ASTM E1996	2006
<u>Standard</u>	<u>Year</u>										
AAMA/WDMA/CSA 101/I.S.2/A440	2008										
ANSI/AAMA/NWWDA 101/I.S.2	1997										
ASTM E1886	2005										
ASTM E1996	2006										
Equivalence of Product Standards											

Florida Building Code Product Approval

FL10182.7-R5 Impact- 12'0" x 8'0" Gliding Full Lite DP50 (with field mullion)

(X, OX, OXO, XX, OXXO)

Certified By	
Product Approval Method	Method 1 Option A
Date Submitted	04/14/2014
Date Validated	08/06/2014
Date Pending FBC Approval	
Date Approved	08/10/2014

FL #	Model, Number or Name	Description
10181.7	SERIES "SRS GLIDING PATIO DOOR WITH FIELD MULLION"	SERIES "SRS GLIDING PATIO DOOR WITH FIELD MULLION" FIBERGLASS SLIDING DOOR WITH SIDELITE
Limits of Use Approved for use in HVHZ: No Approved for use outside HVHZ: Yes Impact Resistant: Yes Design Pressure: +50/-50 Other:		Certification Agency Certificate FL10181_R5_C_CAC_NI011034-R1.pdf Quality Assurance Contract Expiration Date 03/31/2016 Installation Instructions FL10181_R5_II_08-01534A.pdf Verified By: Luis Roberto Lomas 62514 Created by Independent Third Party: Yes Evaluation Reports FL10181_R5_AE_512175B.pdf Created by Independent Third Party: Yes

Florida Building Code Product Approval

FL10182.7-R5 Impact- 12'0" x 8'0" Gliding Full Lite DP50 (with field mullion)
(X, OX, OXO, XX, OXXO)

NOTICE OF PRODUCT CERTIFICATION



CERTIFICATION NO: NI011034-R1
 DATE: 03/29/2012
 CERTIFICATION PROGRAM: Structural
 COMPANY: Nan Ya Plastics
 CODE: 661-1
 REVISION DATE: 03/29/2012

To verify that the "Notice of Product Certification" is valid, please visit www.NAMICertification.com to assure that the product is active and currently listed. This certification represents product conformity to the applicable specification and that certification criteria has been satisfied. Please review and advise NAMI if any corrections are required to this document.

COMPANY NAME AND ADDRESS	PRODUCT DESCRIPTION
Nan Ya Plastics Corp. USA/Neuma Doors 8989 North Loop East Houston, TX 77029	Series "SRS Gliding Patio Door with Field Mullion" Fiberglass Sliding Door with Sidelite Configuration: OX/O Glazing: IG-1/8" Tempered Glass/Laminate- 1/8" Annealed Glass/0.090" DuPont PVB Interlayer/1/8" Annealed Glass Frame: W-3693mm(145.38") H-2426mm(95.50") Panel: W-1213mm(47.75") H-2346mm(92.38") DLO: W-940mm (37.00") H-2007mm(79.00")

SPECIFICATION	PRODUCT RATING
AAMA/WDMA/CSA 101/I.S.2/A440-08 ASTM E1886-02/04/05 ASTM E1996-04/06/09	Class R-PG50 3693 X 2426 (146 x 96)-SD Design Pressure: +50/-50 psf Wind Zone 4-Missile Level D Qualifies Configurations: OX/OX/XO/OXD

Product Tested By: National Certified Testing Laboratories
 Report No: NCTL-210-3789-2
 Expiration Date: March 31, 2016

Administrator's Signature: _____

**NATIONAL ACCREDITATION AND
 MANAGEMENT INSTITUTE, INC.**
 4794 George Washington Memorial Highway
 Hayes, VA 23072
 Tel: (804) 684-5124
 Fax: (804) 684-5122

Florida Building Code Product Approval

FL10182.7-R5 Impact- 12'0" x 8'0" Gliding Full Lite DP50 (with field mullion)
(X, OX, OXO, XX, OXXO)

L. Roberto Lomas P.E.

233 W. Main St.
Danville, VA 24541
434-688-0609
rlomas@rlomaspe.com

Engineering Evaluation Report

Report No.: 512175B

Manufacturer: Nan Ya Plastics Corp. USA
8989 North Loop East
Houston, TX 77029

Product Line: Series "SRS Gliding Patio Door with Field Mullion" Fiberglass Sliding Door with Sidelite

Compliance:

The above mentioned product has been evaluated for compliance with the requirements of the Florida Department of Business and Professional Regulation for Statewide Acceptance per Rule 61G20-3.005 method 1(a). The product listed herein complies with requirements of the Florida Building Code.

Supporting Technical Documentation:

1. Approval document: drawing number 08-01534 Revision A, prepared, signed and sealed by Luis Roberto Lomas P.E.
2. Report No.: NCTL-210-3789-2 signed by Gerard J. Ferrara P.E.
National Certified Testing Laboratories, York, PA
AAMA/WDMA/CSA 101/1.S.2/A440-08
Design pressure: ± 50.0 psf
Water penetration resistance: 7.5psf
ASTM E1886-02/04/05 and ASTM E1996-04/06/09
ASTM E1886/ E1996 Large Missile Impact, Level D, Wind Zone 4
ASTM E1886/ E1996 Cyclic Load Test, ± 50.0 psf design pressure
3. Anchor calculations, report number 512175-1, prepared, signed and sealed by Luis Roberto Lomas P.E.

Limitations and Conditions of use:

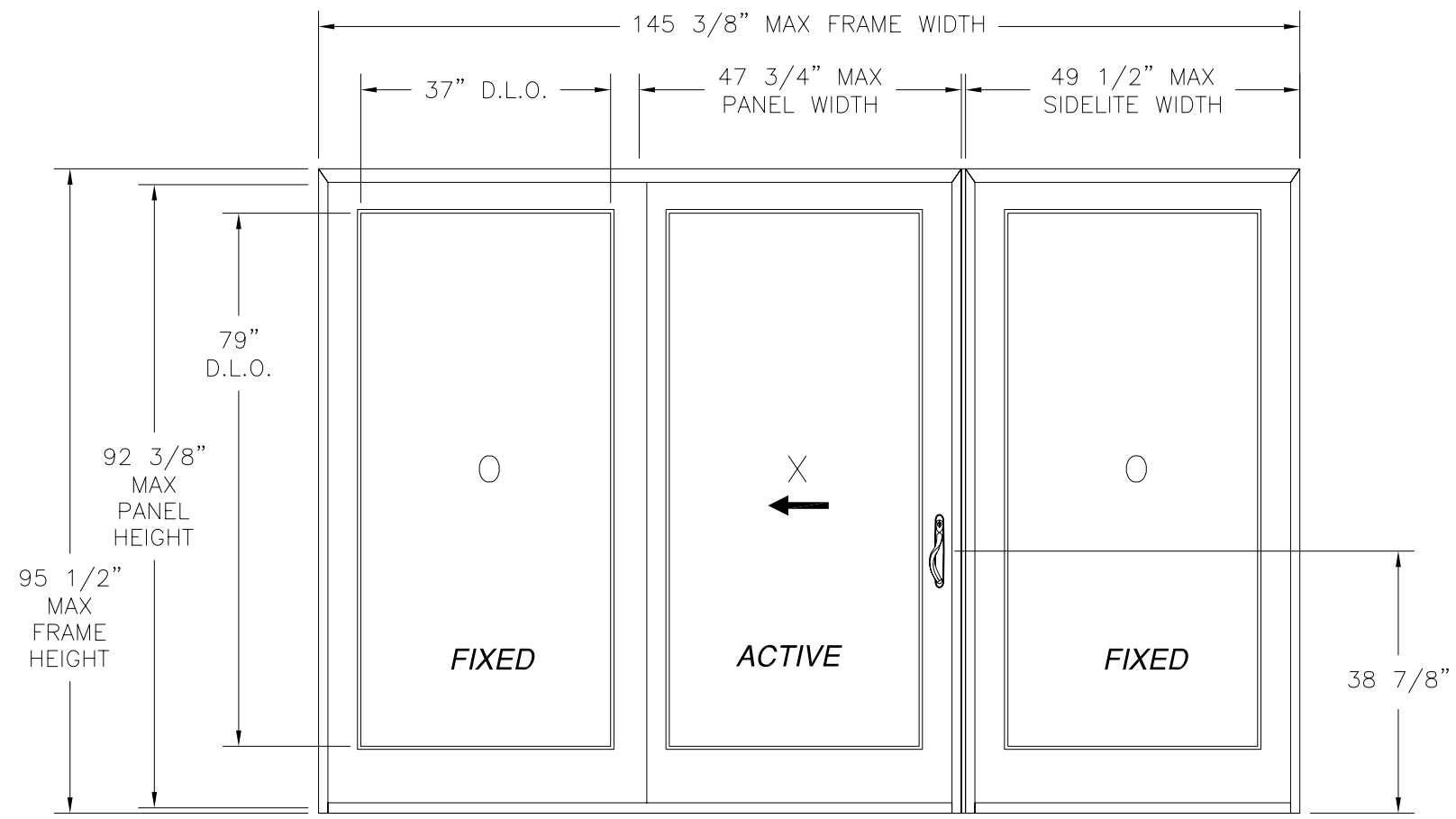
- Maximum design pressure: ± 50.0 psf
- Maximum unit size: 146 3/8" x 95 1/2"
- Units must be glazed per ASTM E 1300-04, see installation instructions for glass options.
- This product is not rated to be used in the HVHZ.
- This product is impact resistant and does not require impact protection in wind borne debris regions.

Installation: Units must be installed in accordance with approval document, 08-01534 Revision A.

Certification of Independence: Please note that I don't have nor will acquire a financial interest in any company manufacturing or distributing the product(s) for which this report is being issued. Also, I don't have nor will acquire a financial interest in any other entity involved in the approval process of the listed product(s).



REVISIONS			
REV	DESCRIPTION	DATE	APPROVED
A	REVISED ANCHOR DIMENSIONS	01/15/13	R.L.



- NOTES:
1. THE PRODUCT SHOWN HEREIN IS DESIGNED AND MANUFACTURED TO COMPLY WITH REQUIREMENTS OF THE FLORIDA BUILDING CODE.
 2. WOOD FRAMING AND MASONRY OPENING TO BE DESIGNED AND ANCHORED TO PROPERLY TRANSFER ALL LOADS TO STRUCTURE. FRAMING AND MASONRY OPENING IS THE RESPONSIBILITY OF THE ARCHITECT OR ENGINEER OF RECORD.
 3. 1X BUCK OVER MASONRY/CONCRETE IS OPTIONAL. WHERE 1X BUCK IS NOT USED DISSIMILAR MATERIALS MUST BE SEPARATED WITH APPROVED COATING OR MEMBRANE. SELECTION OF COATING OR MEMBRANE IS THE RESPONSIBILITY OF THE ARCHITECT OR ENGINEER OF RECORD.
 4. UNITS MUST BE GLAZED PER ASTM E1300-04, SEE SHEET 3 FOR GLASS OPTIONS.
 5. APPROVED IMPACT PROTECTIVE SYSTEM IS NOT REQUIRED FOR THIS PRODUCT IN WIND BORNE DEBRIS REGIONS.
 6. FRAME JAMB AND HEAD MATERIAL: CO-EXTRUDED PVC FOAM 1 1/2" THICK.
 7. FRAME SILL MATERIAL: CO-EXTRUDED PVC FOAM 2" THICK WITH ALUMINUM CLADDING .063" THICK.
 8. DOOR PANEL AND SIDELITE MATERIAL: .075" THICK FIBERGLASS SKIN WITH PVC FOAM TOP AND BOTTOM RAILS, AND PVC FOAM VERTICAL STILES WITH PINE REINFORCEMENTS AND POLYURETHANE FOAM CORE.
 9. APPROVED CONFIGURATIONS: OX, XO, AND OXO. SEE SHEET 2.

SERIES SRS GLIDING PATIO DOOR W/FIELD MULLION W/ SIDELITE
EXTERIOR VIEW

DESIGN PRESSURE RATING	IMPACT RATING
±50.0PSF	LARGE AND SMALL MISSILE IMPACT

MISSILE LEVEL D, WIND ZONE 4

SIGNED: 01/16/2013

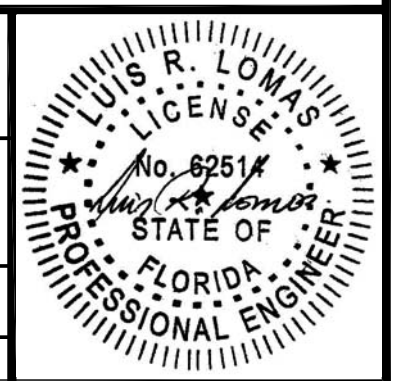
TABLE OF CONTENTS	
SHEET NO.	DESCRIPTION
1	OX/O ELEVATION AND NOTES
2	ADDITIONAL CONFIGURATIONS ANCHOR LAYOUTS & HARDWARE
3 - 5	INSTALLATION DETAILS

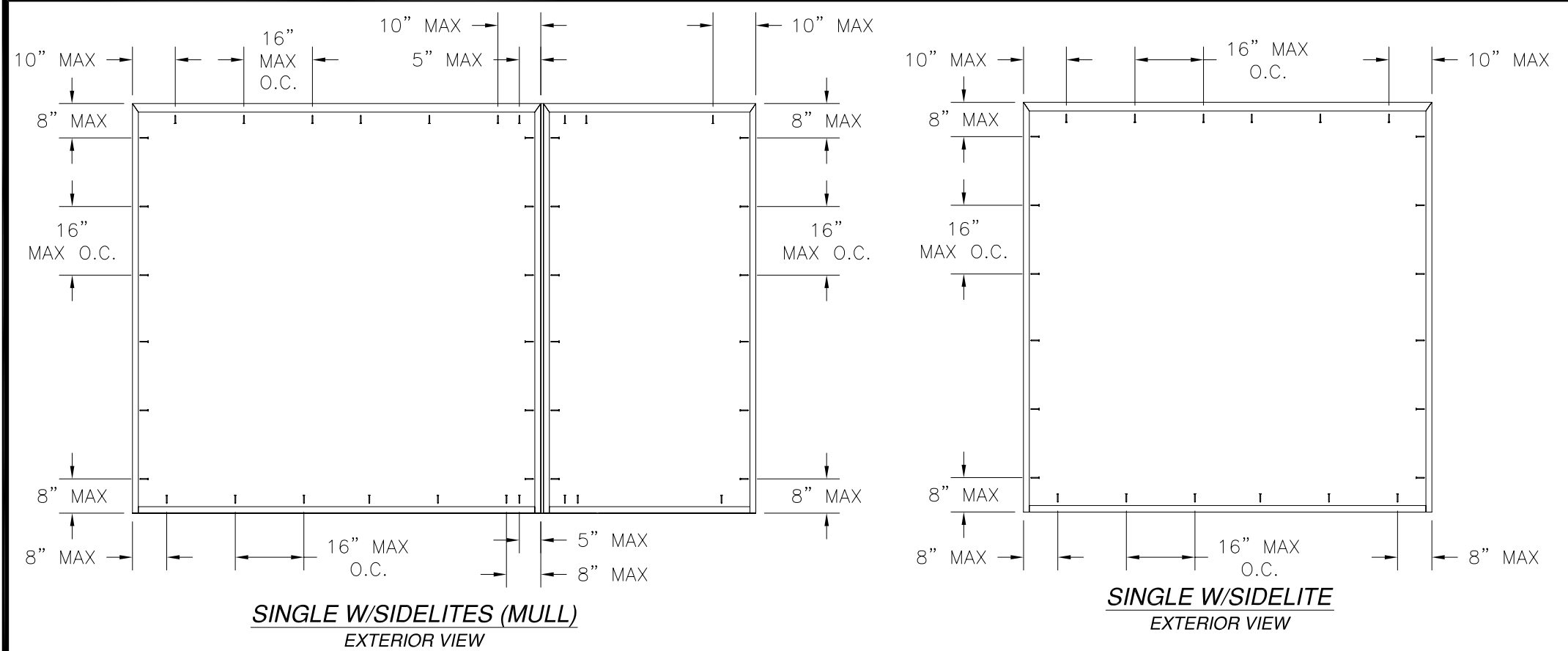
NAN YA PLASTICS CORP. USA
8989 NORTH LOOP EAST
HOUSTON, TX 77029

SERIES SRS GLIDING PATIO DOOR W/FIELD MULLION
FIBERGLASS SLIDING DOOR W/SIDELITE
OX/O ELEVATION AND NOTES

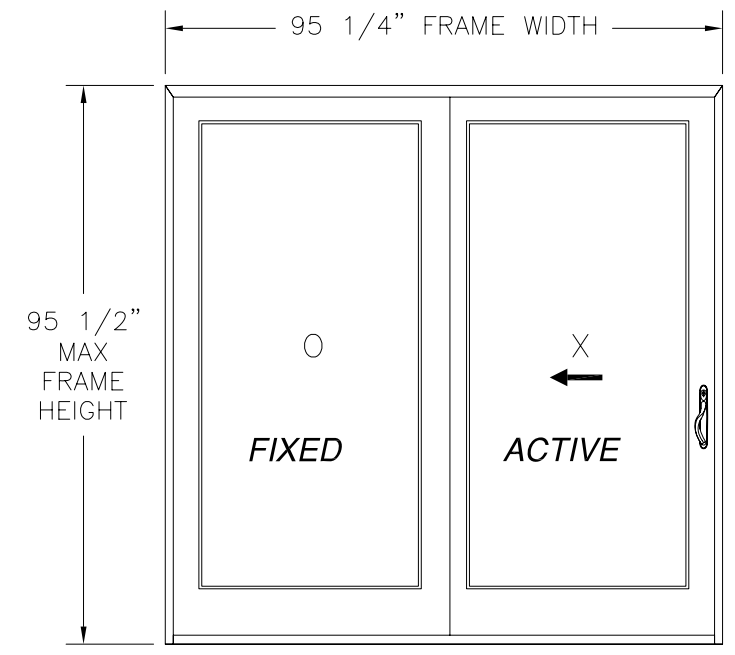
DRAWN: V.L. DWG NO. 08-01534 REV A

SCALE NTS DATE 04/02/12 SHEET 1 OF 5

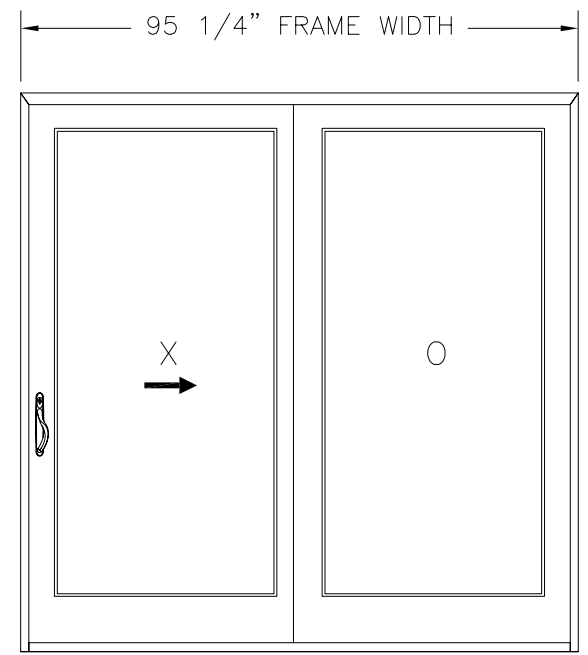




REVISIONS			
REV	DESCRIPTION	DATE	APPROVED
A	REVISED ANCHOR DIMENSIONS	01/15/13	R.L.



SINGLE W/SIDELITE
EXTERIOR VIEW



SINGLE W/SIDELITE
EXTERIOR VIEW

ANCHORING NOTES:

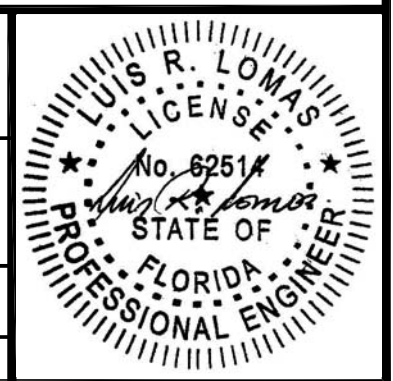
1. SHIM AS REQUIRED AT EACH INSTALLATION ANCHOR WITH LOAD BEARING SHIM. SHIM WHERE SPACE OF 1/16" OR GREATER OCCURS. MAXIMUM ALLOWABLE SHIM STACK TO BE 1/4".
2. FOR ANCHORING INTO WOOD FRAMING OR 2X BUCK USE #10 WOOD SCREWS WITH SUFFICIENT LENGTH TO ACHIEVE A 1 3/8" MINIMUM EMBEDMENT INTO SUBSTRATE. LOCATE ANCHORS AS SHOWN IN ELEVATIONS AND INSTALLATION DETAILS.
3. FOR ANCHORING INTO MASONRY/CONCRETE USE 3/16" TAPCONS WITH SUFFICIENT LENGTH TO ACHIEVE A 1 1/4" MINIMUM EMBEDMENT INTO SUBSTRATE WITH 2 5/8" MINIMUM EDGE DISTANCE. LOCATE ANCHORS AS SHOWN IN ELEVATIONS AND INSTALLATION DETAILS.
4. ALL FASTENERS TO BE CORROSION RESISTANT.
5. INSTALLATION ANCHORS SHALL BE INSTALLED IN ACCORDANCE WITH ANCHOR MANUFACTURER'S INSTALLATION INSTRUCTIONS AND ANCHORS SHALL NOT BE USED IN SUBSTRATES WITH STRENGTHS LESS THAN THE MINIMUM STRENGTH SPECIFIED BELOW:
 A. WOOD – MINIMUM SPECIFIC GRAVITY OF G=0.42
 B. CONCRETE – MINIMUM COMPRESSIVE STRENGTH OF 3,192 PSI.
 C. MASONRY – STRENGTH CONFORMANCE TO ASTM C-90, GRADE N, TYPE 1 (OR GREATER).

HARDWARE SCHEDULE	
A.	4 POINT LOCKING SYSTEM
B.	(1) DIE CAST HANDLE SET
C.	(2) STAINLESS STEEL TANDEM ROLLERS
D.	ALUMINUM & PVC FOAM ASTRAGAL BY NAN YA PLASTICS
E.	ALUMINUM & PVC FOAM MULLION BY NAN YA PLASTICS

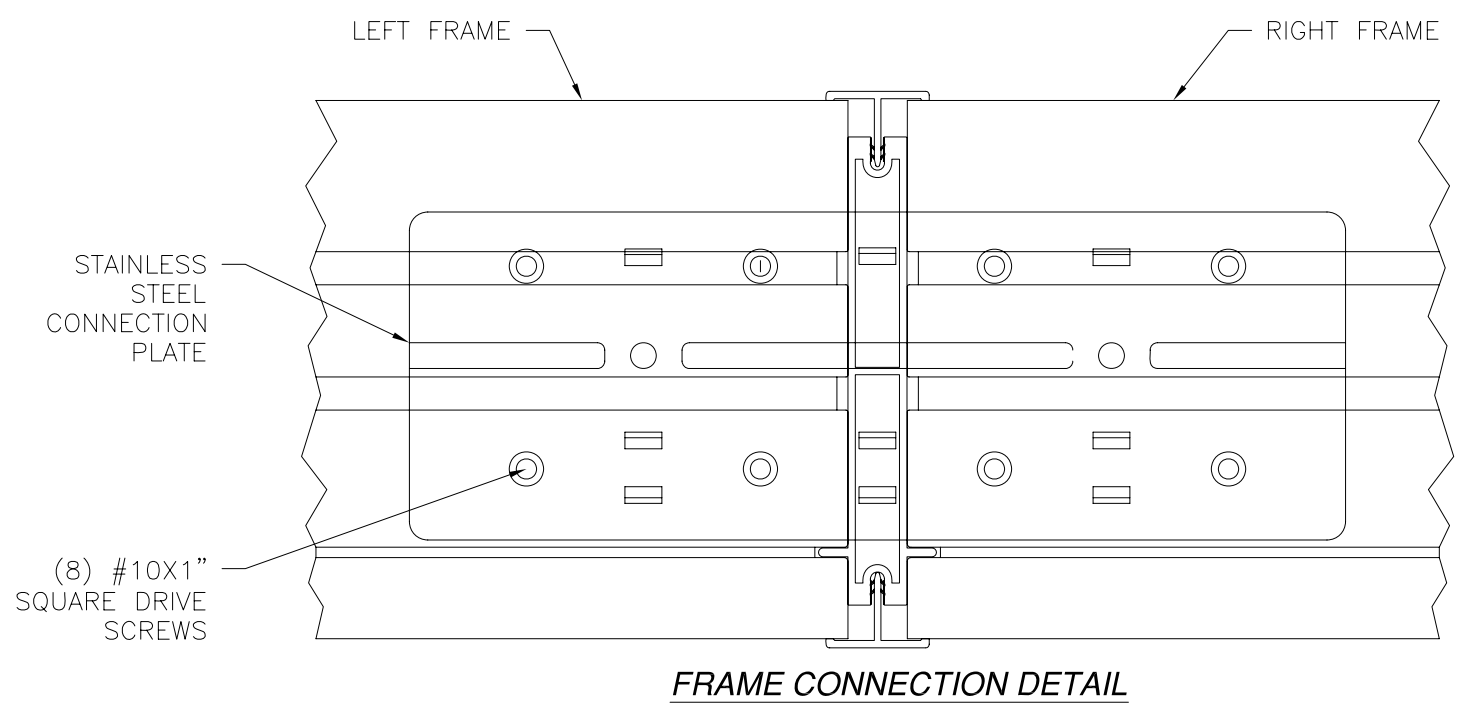
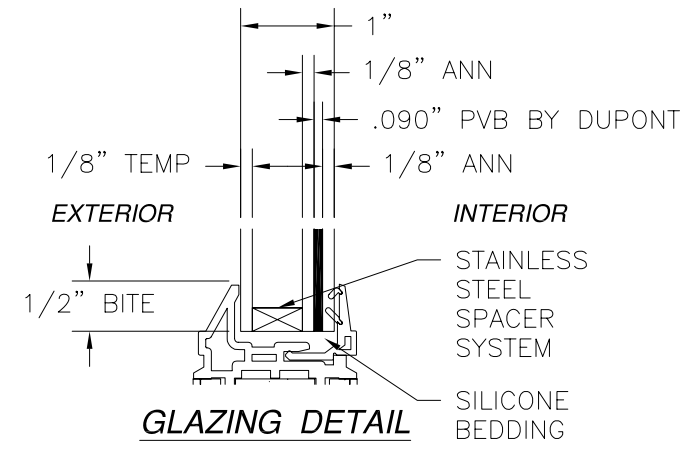
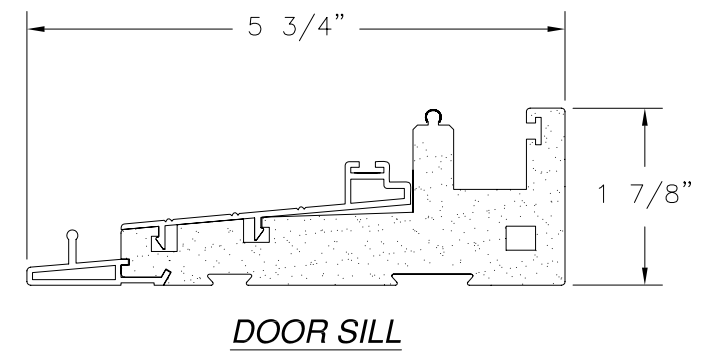
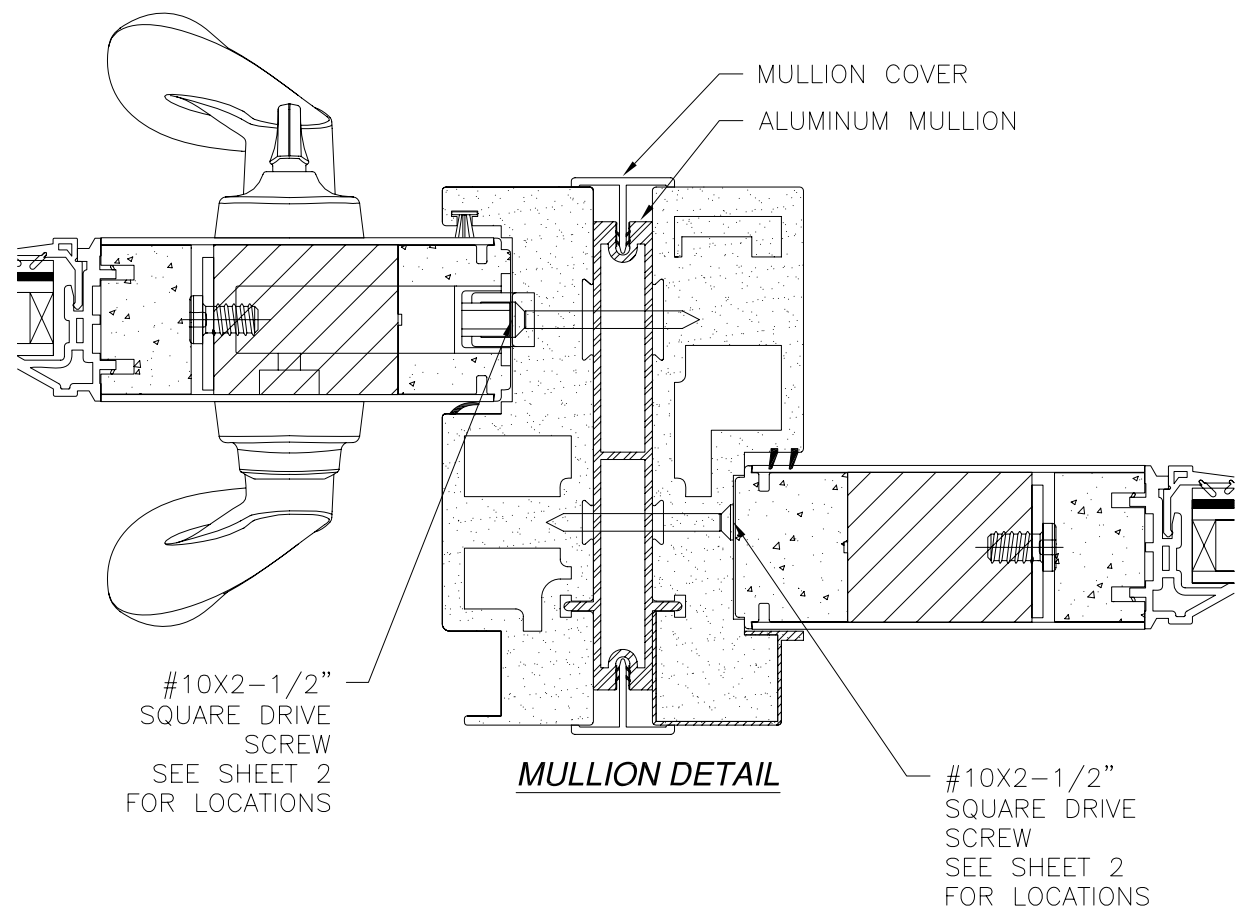
NAN YA PLASTICS CORP. USA
 8989 NORTH LOOP EAST
 HOUSTON, TX 77029

SERIES SRS GLIDING PATIO DOOR W/FIELD MULLION
 FIBERGLASS SLIDING DOOR W/SIDELITE
 ADDITIONAL CONFIGURATIONS AND HARDWARE

DRAWN: V.L.	DWG NO. 08-01534	REV A
SCALE NTS	DATE 04/02/12	SHEET 2 OF 5



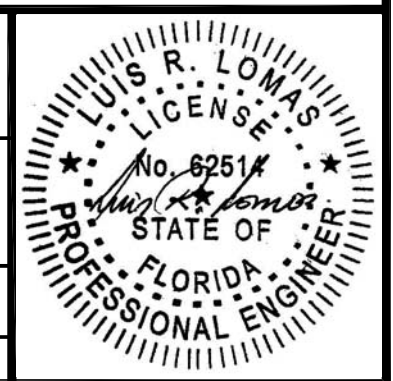
REVISIONS			
REV	DESCRIPTION	DATE	APPROVED
A	REVISED ANCHOR DIMENSIONS	01/15/13	R.L.



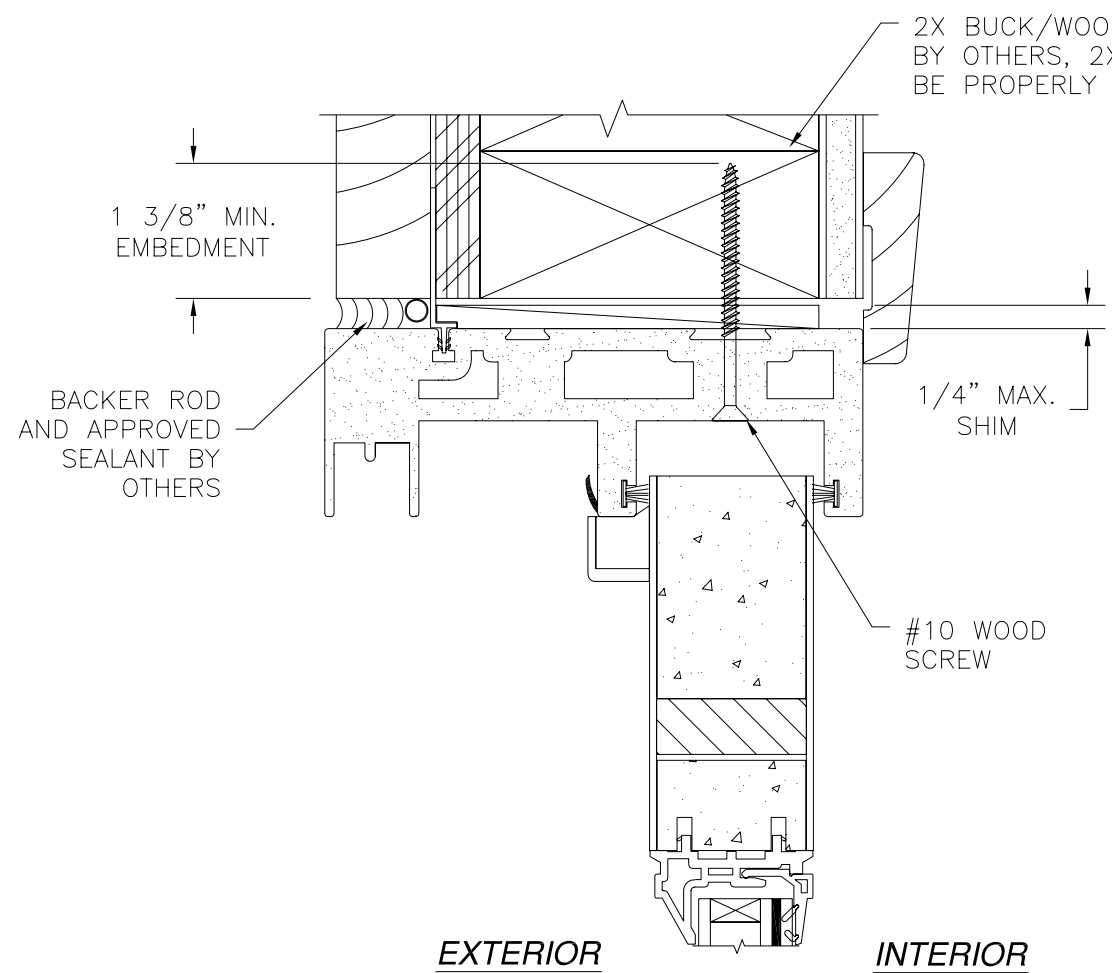
NAN YA PLASTICS CORP. USA
8989 NORTH LOOP EAST
HOUSTON, TX 77029

SERIES SRS GLIDING PATIO DOOR W/FIELD MULLION
FIBERGLASS SLIDING DOOR W/SIDELITE
INSTALLATION DETAILS

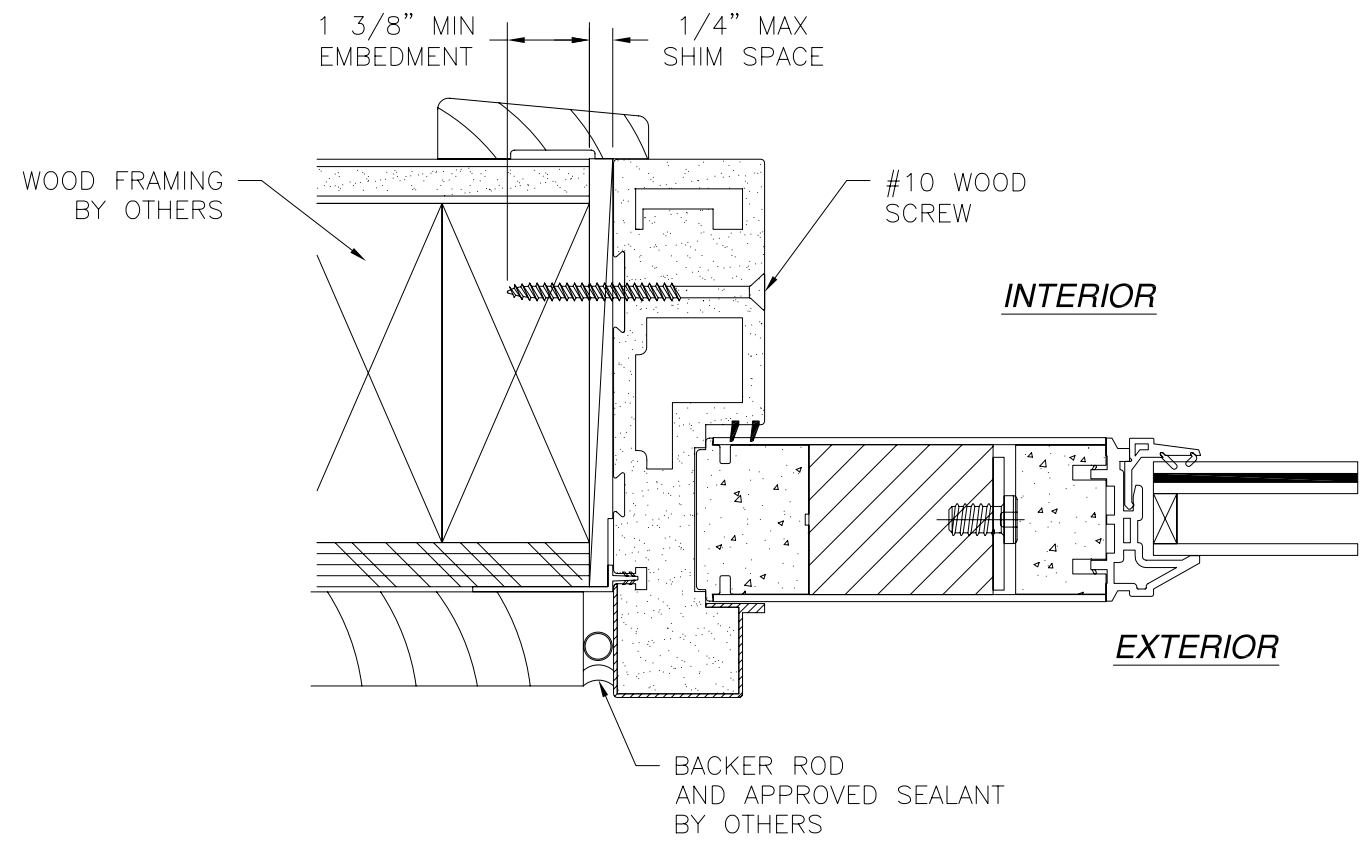
DRAWN: V.L.	DWG NO. 08-01534	REV A
SCALE NTS	DATE 04/02/12	SHEET 3 OF 5



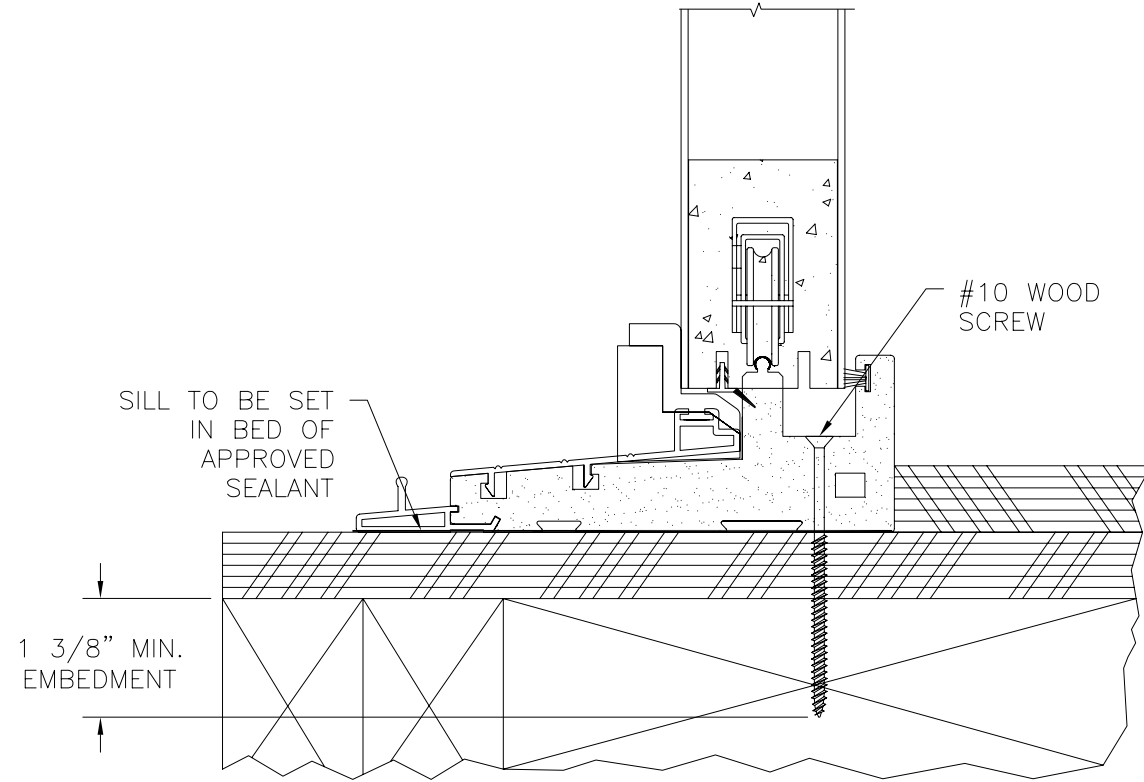
REVISIONS			
REV	DESCRIPTION	DATE	APPROVED
A	REVISED ANCHOR DIMENSIONS	01/15/13	R.L.



EXTERIOR **INTERIOR**



HORIZONTAL CROSS SECTION
2X BUCK/WOOD FRAMING INSTALLATION

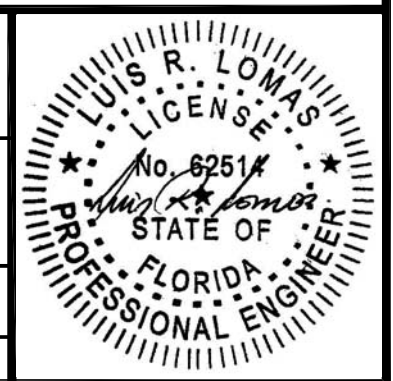


VERTICAL CROSS SECTION
DOOR SHOWN, SIDELITE SIMILAR
2X BUCK/WOOD FRAMING INSTALLATION

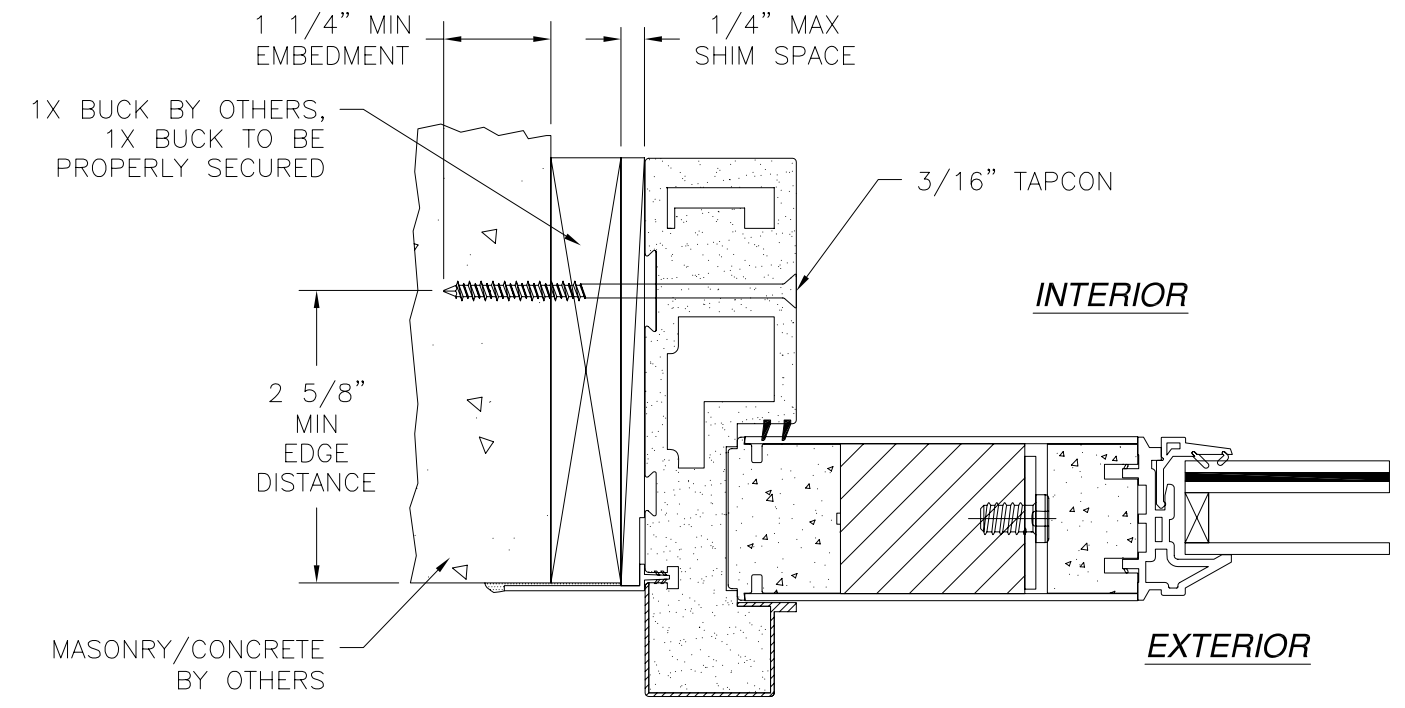
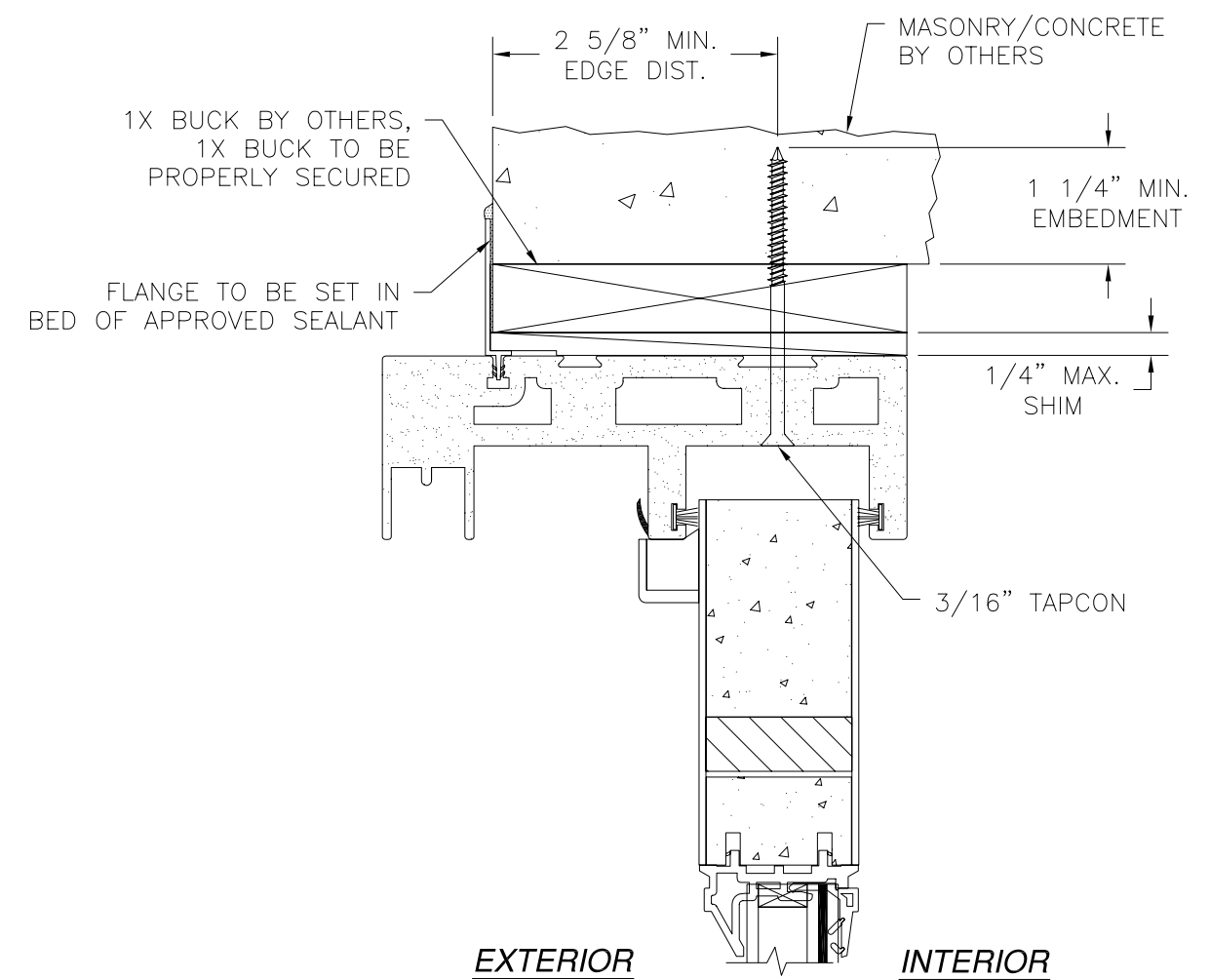
NAN YA PLASTICS CORP. USA
8989 NORTH LOOP EAST
HOUSTON, TX 77029

SERIES SRS GLIDING PATIO DOOR W/FIELD MULLION
FIBERGLASS SLIDING DOOR W/SIDELITE
INSTALLATION DETAILS

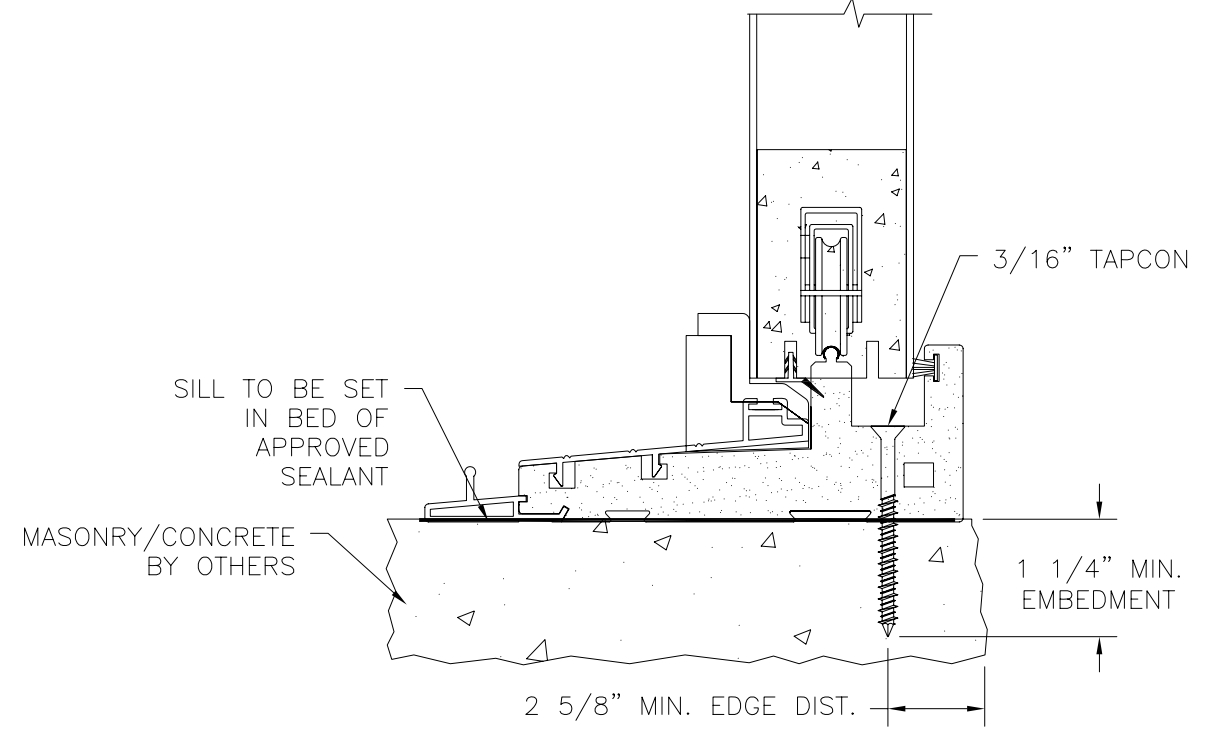
DRAWN: V.L.	DWG NO. 08-01534	REV A
SCALE NTS	DATE 04/02/12	SHEET 4 OF 5



REVISIONS			
REV	DESCRIPTION	DATE	APPROVED
A	REVISED ANCHOR DIMENSIONS	01/15/13	R.L.



HORIZONTAL CROSS SECTION
MASONRY/CONCRETE INSTALLATION



VERTICAL CROSS SECTION
MASONRY/CONCRETE INSTALLATION
DOOR SHOWN SIDELITE SIMILAR

NAN YA PLASTICS CORP. USA
8989 NORTH LOOP EAST
HOUSTON, TX 77029

SERIES SRS GLIDING PATIO DOOR W/FIELD MULLION
FIBERGLASS SLIDING DOOR W/SIDELITE
INSTALLATION DETAILS

DRAWN: V.L.	DWG NO. 08-01534	REV A
SCALE NTS	DATE 04/02/12	SHEET 5 OF 5

