

# Florida Building Code Product Approval

FL10181.2-R5 Non-Impact- 6'0" x 6'8" Gliding Full Lite DP50 (X, OX, OXO, XX, OXXO)

FL #	FL10181-R5										
Application Type	Revision										
Code Version	2010										
Application Status	Approved										
	*Approved by DBPR. Approvals by DBPR shall be reviewed and ratified by the POC and/or the Commission if necessary.										
Comments											
Archived	<input type="checkbox"/>										
Product Manufacturer	Nan Ya Plastics Corporation USA										
Address/Phone/Email	8989 North Loop East Houston, TX 77029 (713) 674-7822 Ext 105 ajen96@yahoo.com.tw										
Authorized Signature	RUSKIN WU ajen96@yahoo.com.tw										
Technical Representative	Ruskin Wu										
Address/Phone/Email	8989 North Loop East Houston, TX 77029-1217 (713) 674-7822 Ext 105 ajen96@yahoo.com.tw										
Quality Assurance Representative											
Category	Exterior Doors										
Subcategory	Sliding Exterior Door Assemblies										
Compliance Method	Certification Mark or Listing										
Certification Agency	National Accreditation & Management Institute										
Validated By	National Accreditation & Management Institute,										
Referenced Standard and Year (of Standard)	<table border="0"> <thead> <tr> <th><u>Standard</u></th> <th><u>Year</u></th> </tr> </thead> <tbody> <tr> <td>AAMA/WDMA/CSA 101/I.S.2/A440</td> <td>2008</td> </tr> <tr> <td>ANSI/AAMA/NWWDA 101/I.S.2</td> <td>1997</td> </tr> <tr> <td>ASTM E1886</td> <td>2005</td> </tr> <tr> <td>ASTM E1996</td> <td>2006</td> </tr> </tbody> </table>	<u>Standard</u>	<u>Year</u>	AAMA/WDMA/CSA 101/I.S.2/A440	2008	ANSI/AAMA/NWWDA 101/I.S.2	1997	ASTM E1886	2005	ASTM E1996	2006
<u>Standard</u>	<u>Year</u>										
AAMA/WDMA/CSA 101/I.S.2/A440	2008										
ANSI/AAMA/NWWDA 101/I.S.2	1997										
ASTM E1886	2005										
ASTM E1996	2006										
Equivalence of Product Standards Certified By											

# Florida Building Code Product Approval

FL10181.2-R5 Non-Impact- 6'0" x 6'8" Gliding Full Lite DP50 (X, OX, OXO, XX, OXXO)

Product Approval Method	Method 1 Option A
Date Submitted	04/14/2014
Date Validated	08/06/2014
Date Pending FBC Approval	
Date Approved	08/10/2014

FL #	Model, Number or Name	Description
10181.2	Gliding Two Panel Patio Door	Gliding Two Panel Patio Door - Non-Impact
<b>Limits of Use</b> Approved for use in HVHZ: No Approved for use outside HVHZ: Yes Impact Resistant: No Design Pressure: +50/-50 Other:		<b>Certification Agency Certificate</b> <a href="#">FL10181_R5_C_CAC_NI010809-R1.pdf</a> <b>Quality Assurance Contract Expiration Date</b> 07/31/2015 <b>Installation Instructions</b> <a href="#">FL10181_R5_II_08-01099B.pdf</a> Verified By: Luis R. Lomas 62514 Created by Independent Third Party: Yes <b>Evaluation Reports</b> <a href="#">FL10181_R5_AE_511659A.pdf</a> Created by Independent Third Party: Yes

# Florida Building Code Product Approval

FL10181.2-R5 Non-Impact- 6'0" x 6'8" Gliding Full Lite DP50 (X, OX, OXO, XX, OXXO)

## NOTICE OF PRODUCT CERTIFICATION



CERTIFICATION NO: NI010809-R1  
 DATE: 08/11/2011  
 CERTIFICATION PROGRAM: Structural  
 COMPANY: Nan Ya Plastics  
 CODE: N-661-1  
 REVISION DATE: 08/17/2011


The "Notice of Product Certification" is valid only when Administrator's Seal is applied to the upper left hand portion of this form and a certification label is applied to the product. This certification seal represents product conformity to the applicable specification and that all certification criteria has been satisfied.

The product described below is approved for listing in the Directory of Certified Products at [www.NAMICertification.com](http://www.NAMICertification.com). Please review, and advise NAMI immediately if data, as shown, requires corrections.

COMPANY NAME AND ADDRESS	PRODUCT DESCRIPTION
<p>Nan Ya Plastics Corp. USA                      8989 North Loop Road                      Houston, TX 77029</p>	<p>Series "Gliding Two Panel Patio Door"                      Vinyl Sliding Glass Door</p> <p>Configuration: OX                      Glazing: IG-1/8" Tempered Glass</p> <p>Frame: W-1813mm(71.38") H-2019mm(79.5")                      Panel: W-908mm(35.75") H-1946mm(76.63")                      STP: Pos+3591Pa (75.0 psf) Neg-3591Pa (75.0 psf)</p>

SPECIFICATION	PRODUCT RATING
AAMA/WDMA/CSA 101/LS.2/A440-08	Class R-PG50 1813 X 2019 (71.375 x 79.60) SCD

Product Tested By: Florida Testing Laboratory, Inc.  
 Report No: FTL 6550  
 Expiration Date: July 31, 2015

Administrator's Signature: 

**NATIONAL ACCREDITATION AND  
 MANAGEMENT INSTITUTE, INC.**  
 4794 George Washington Memorial Highway  
 Hayes, VA 23072  
 Tel: (804) 684-5124  
 Fax: (804) 684-5122

# Florida Building Code Product Approval

## FL10181.2-R5 Non-Impact- 6'0" x 6'8" Gliding Full Lite DP50 (X, OX, OXO, XX, OXXO)

*L. Roberto Lomas P.E.*

233 W. Main St  
Danville, VA 24541  
434-688-0609  
[rlomas@rlomaspe.com](mailto:rlomas@rlomaspe.com)

### Engineering Evaluation Report

Report No.: 511659A

**Manufacturer:** Nan Ya Plastics Corp. USA  
8989 North Loop East  
Houston, TX 77029

**Product Line:** Gliding two Panel Patio Door - Non-Impact

**Compliance:**

The above mentioned product has been evaluated for compliance with the requirements of the Florida Department of Business and Professional Regulation for Statewide Acceptance per Rule 61G20-3.005 method 1(a). The product listed herein complies with requirements of the Florida Building Code.

**Supporting Technical Documentation:**

1. Approval document: drawing number 08-01099 Revision B, prepared, signed and sealed by Luis Roberto Lomas P.E.
2. Test report No. FTL 6550 signed by Manny Sanchez.  
Fenestration Testing Laboratory Inc. Medley, FL  
AAMA/WDMA/CSA 101/I.S.Z/A440-08  
Design pressure: ±50.0psf  
Water penetration resistance 7.5psf
3. Anchor calculations, report number 511659-1, prepared, signed and sealed by Luis Roberto Lomas P.E.

**Limitations and Conditions of use:**

- Maximum design pressure: ±50.0psf
- Maximum unit size: 71 3/8" x 79 1/2"
- Approved configurations: XO and OX
- Units must be glazed with per ASTM E1300-04 with safety glass.
- This product is not rated to be used in the HVHZ.
- This product is not impact resistant and requires impact protection in wind borne debris regions.

**Installation:** Units must be installed in accordance with approval document, 08-01099 Revision B.

**Certification of Independence:** Please note that I don't have nor will acquire a financial interest in any company manufacturing or distributing the product(s) for which this report is being issued. Also, I don't have nor will acquire a financial interest in any other entity involved in the approval process of the listed product(s).



REVISIONS			
REV	DESCRIPTION	DATE	APPROVED
A	REVISED PER NEW TESTING	08/17/11	R.L.
B	REVISED PER NEW REQUIREMENTS	07/29/14	R.L.

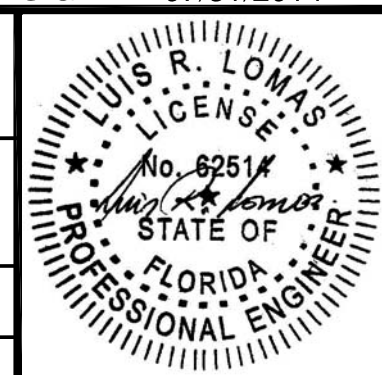
NOTES:

1. THE PRODUCT SHOWN HEREIN IS DESIGNED AND MANUFACTURED TO COMPLY WITH REQUIREMENTS OF THE FLORIDA BUILDING CODE.
2. WOOD FRAMING AND MASONRY OPENING TO BE DESIGNED AND ANCHORED TO PROPERLY TRANSFER ALL LOADS TO STRUCTURE. FRAMING AND MASONRY OPENING IS THE RESPONSIBILITY OF THE ARCHITECT OR ENGINEER OF RECORD.
3. WHERE SHIM OR BUCK THICKNESS IS LESS THAN 1-1/2" WINDOW UNITS MUST BE ANCHORED THROUGH THE FRAME IN ACCORDANCE WITH MANUFACTURER'S PUBLISHED INSTALLATION INSTRUCTIONS. ANCHORS SHALL BE SECURELY FASTENED DIRECTLY INTO MASONRY, CONCRETE OR OTHER STRUCTURAL SUBSTRATE MATERIAL.
4. WHERE WOOD BUCK THICKNESS IS 1-1/2" OR GREATER, BUCK SHALL BE SECURELY FASTENED TO MASONRY, CONCRETE OR OTHER STRUCTURAL SUBSTRATE. WINDOW UNITS MAY BE ANCHORED THROUGH FRAME TO SECURED WOOD BUCK IN ACCORDANCE WITH MANUFACTURER'S PUBLISHED INSTALLATION INSTRUCTIONS.
5. BUCKS SHALL EXTEND BEYOND WINDOW INTERIOR FACE SO THAT FULL FRAME SUPPORT IS PROVIDED.
6. FOR FIN INSTALLATION SHIM AS NEEDED. FOR FRAME INSTALLATION SHIM AS REQUIRED AT EACH ANCHOR LOCATION WITH LOAD BEARING SHIM. SHIM WHERE SPACE OF 1/16" OR GREATER OCCURS. MAXIMUM ALLOWABLE SHIM STACK TO BE 1/4".
7. SHIMS SHALL BE LOCATED, APPLIED AND MADE FROM MATERIALS AND THICKNESS CAPABLE OF SUSTAINING APPLICABLE LOADS.
8. WIND LOAD DURATION FACTOR Cd=1.6 WAS USED FOR WOOD ANCHOR CALCULATIONS.
9. UNITS MUST BE GLAZED PER ASTM E1300-04, SEE SHEET 3 FOR GLASS OPTIONS.
10. APPROVED IMPACT PROTECTIVE SYSTEM IS REQUIRED FOR THIS PRODUCT IN WIND BORNE DEBRIS REGIONS.
11. FOR ANCHORING INTO WOOD FRAMING OR 2X BUCK USE #12 WOOD SCREWS WITH SUFFICIENT LENGTH TO ACHIEVE A 1 3/8" MINIMUM EMBEDMENT INTO SUBSTRATE. LOCATE ANCHORS AS SHOWN IN ELEVATIONS AND INSTALLATION DETAILS.
12. ALL FASTENERS TO BE CORROSION RESISTANT.
13. INSTALLATION ANCHORS SHALL BE INSTALLED IN ACCORDANCE WITH ANCHOR MANUFACTURER'S INSTALLATION INSTRUCTIONS AND ANCHORS SHALL NOT BE USED IN SUBSTRATES WITH STRENGTHS LESS THAN THE MINIMUM STRENGTH SPECIFIED BELOW:
  - A. WOOD - MINIMUM SPECIFIC GRAVITY OF G=0.42
14. FRAME JAMB AND HEAD MATERIAL: CO-EXTRUDED PVC FOAM 3/4" THICK.
15. FRAME SILL MATERIAL: CO-EXTRUDED PVC FOAM 1 1/32" THICK.
16. DOOR PANEL MATERIAL: PVC COMPOSITE FOAM WITH AN EXTRUDED PVC SKIN .031" THICK.
17. APPROVED CONFIGURATIONS: XO, OX.

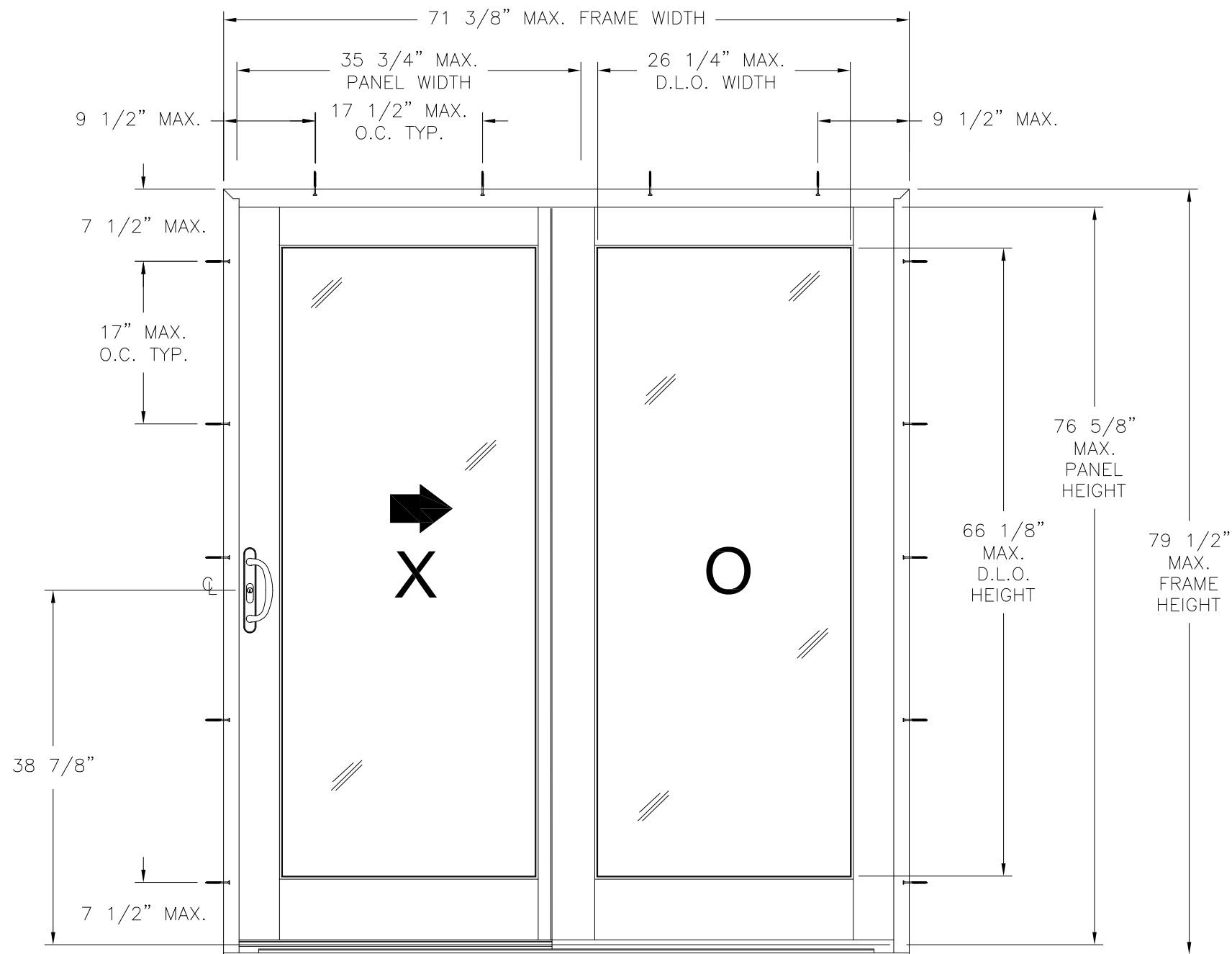
TABLE OF CONTENTS	
SHEET NO.	DESCRIPTION
1	NOTES
2	ELEVATION, ANCHORING LAYOUT
3	INSTALLATION DETAILS
4	COMPONENTS, GLAZING DETAIL AND HARDWARE

<b>NAN YA PLASTICS CORP. USA</b> 8989 NORTH LOOP EAST HOUSTON, TX 77029		
GLIDING TWO PANEL PATIO DOOR 71 3/8" x 79 1/2" ELEVATION, ANCHORING LAYOUT		
DRAWN: TJH	DWG NO. 08-01099	REV B
SCALE NTS	DATE 08/19/10	SHEET 1 OF 4

SIGNED: 07/31/2014



REVISIONS			
REV	DESCRIPTION	DATE	APPROVED
A	REVISED PER NEW TESTING	08/17/11	R.L.
B	REVISED PER NEW REQUIREMENTS	07/29/14	R.L.



**GLIDING TWO PANEL PATIO DOOR**  
EXTERIOR VIEW

DESIGN PRESSURE RATING	IMPACT RATING
±50PSF	NONE

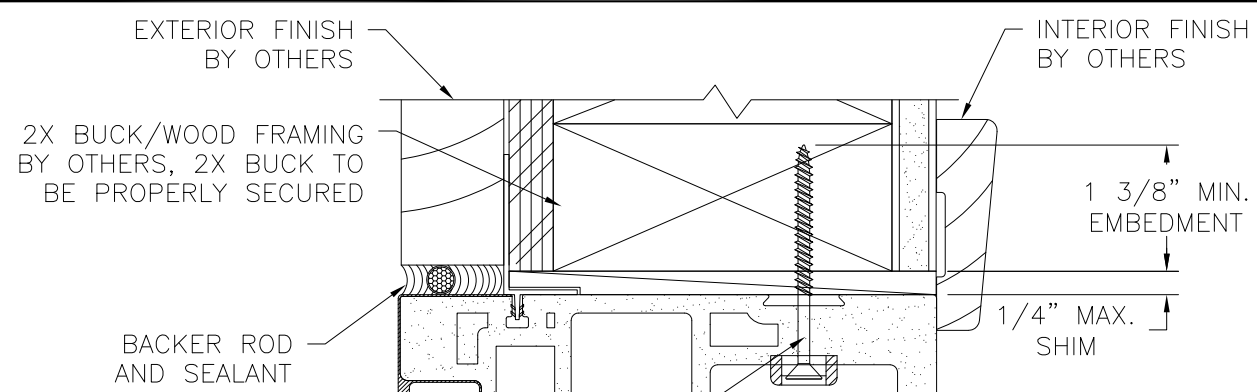
**NAN YA PLASTICS CORP. USA**  
8989 NORTH LOOP EAST  
HOUSTON, TX 77029

GLIDING TWO PANEL PATIO DOOR  
71 3/8" x 79 1/2"  
ELEVATION, ANCHORING LAYOUT

DRAWN: TJH	DWG NO. 08-01099	REV B
SCALE NTS	DATE 08/19/10	SHEET 2 OF 4

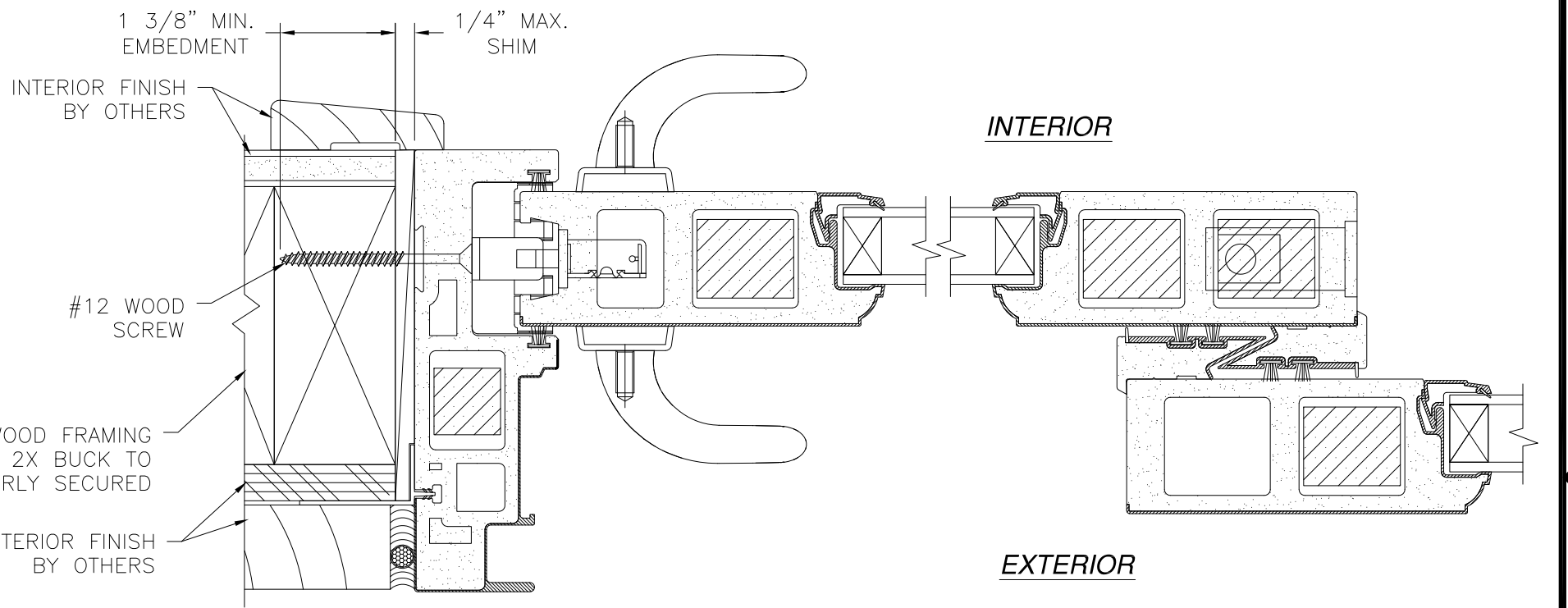


REVISIONS			
REV	DESCRIPTION	DATE	APPROVED
A	REVISED PER NEW TESTING	08/17/11	R.L.
B	REVISED PER NEW REQUIREMENTS	07/29/14	R.L.

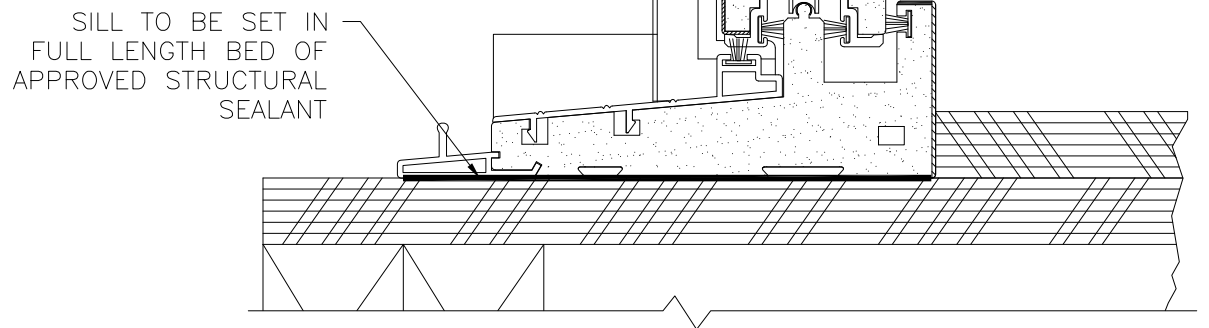


EXTERIOR

INTERIOR



HORIZONTAL CROSS SECTION  
2X BUCK/WOOD FRAMING

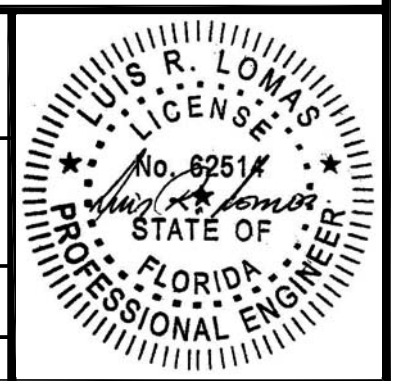


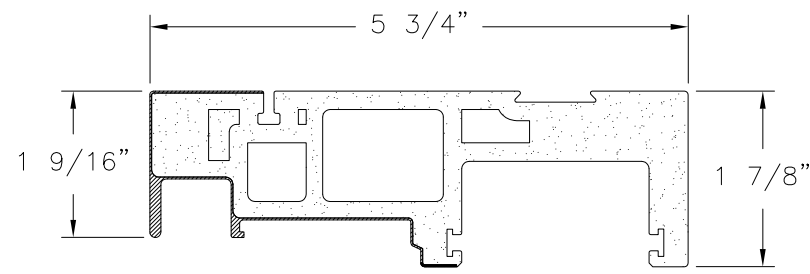
VERTICAL CROSS SECTION  
2X BUCK/WOOD FRAMING

NAN YA PLASTICS CORP. USA  
8989 NORTH LOOP EAST  
HOUSTON, TX 77029

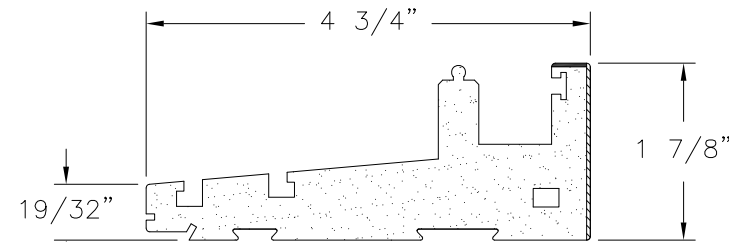
GLIDING TWO PANEL PATIO DOOR  
71 3/8" x 79 1/2"  
INSTALLATION DETAILS

DRAWN: TJH	DWG NO. 08-01099	REV B
SCALE NTS	DATE 08/19/10	SHEET 3 OF 4

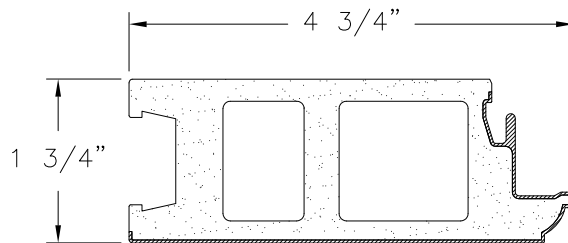




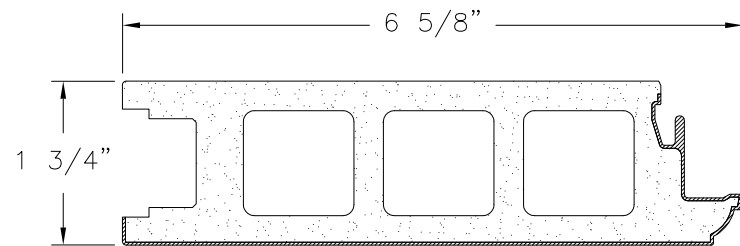
**5 3/4" FRAME HEAD AND JAMB**  
CO-EXTRUDED PVC FOAM .75" THICK



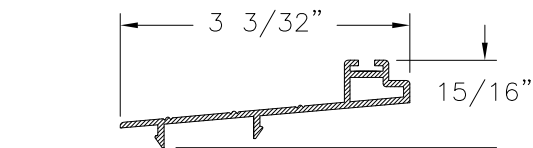
**4 3/4" GLIDING SILL**  
CO-EXTRUDED PVC FOAM  
1.032" THICK



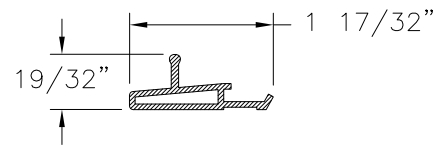
**4 3/4" STILE AND TOP RAIL**  
PVC COMPOSITE FOAM WITH  
.031" THICK EXTRUDED PVC SKIN



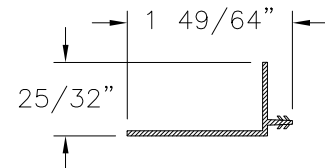
**6 5/8" BOTTOM RAIL**  
PVC COMPOSITE FOAM WITH  
.031" THICK EXTRUDED PVC SKIN



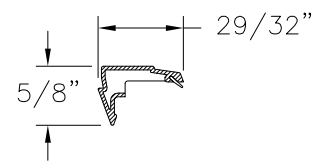
**THRESHOLD**  
EXTRUDED ALUMINUM 6063-T6 .059" THICK



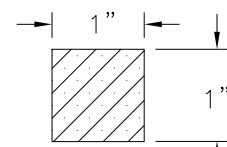
**SCREEN RAIL**  
EXTRUDED ALUMINUM 6063-T6 .059" THICK



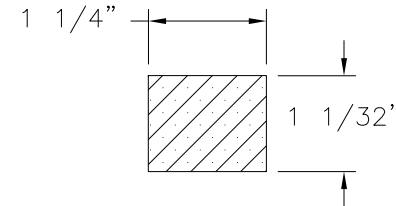
**FRAME FIN**  
EXTRUDED RIGID PVC .051" THICK



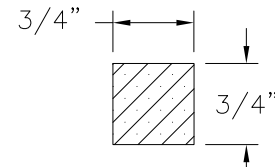
**1" GLAZING BEAD**  
EXTRUDED RIGID PVC .039" THICK



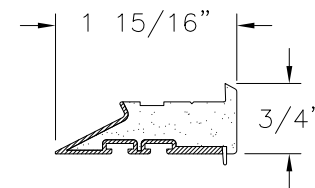
**PANEL BOTTOM RAIL REINFORCEMENT**  
PINE



**PANEL STILE REINFORCEMENT**  
PINE

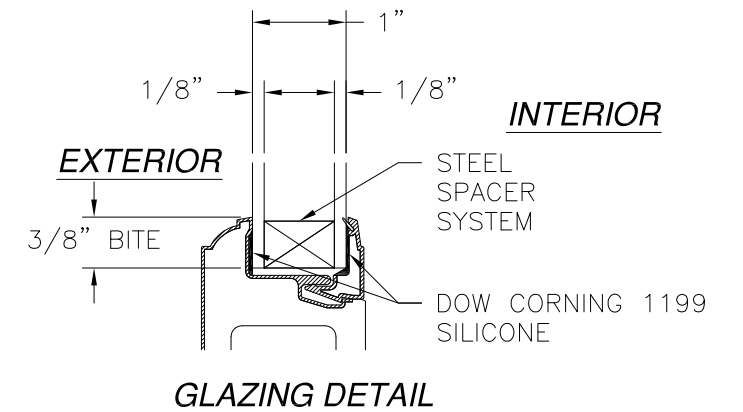


**JAMB REINFORCEMENT**  
PINE



**MEETING STILE INTERLOCK**  
CO-EXTRUDED PVC FOAM .75" THICK

REVISIONS			
REV	DESCRIPTION	DATE	APPROVED
A	REVISED PER NEW TESTING	08/17/11	R.L.
B	REVISED PER NEW REQUIREMENTS	07/29/14	R.L.



**GLAZING DETAIL**

HARDWARE SCHEDULE	
A.	ADJUSTABLE ROLLER (2) PER ACTIVE PANEL
B.	FLUSH BOLT WITH KEEPER (1) TOP OF ACTIVE PANEL
C.	SINGLE LOCKING SYSTEM WITH KEEPER (1) PER ACTIVE PANEL
D.	GLIDING HANDLE SET (1) PER ACTIVE PANEL

NAN YA PLASTICS CORP. USA  
8989 NORTH LOOP EAST  
HOUSTON, TX 77029

GLIDING TWO PANEL PATIO DOOR  
71 3/8" x 79 1/2"  
COMPONENTS, GLAZING DETAIL AND HARDWARE

DRAWN: TJH	DWG NO. 08-01099	REV B
SCALE NTS	DATE 08/19/10	SHEET 4 OF 4

