

Florida Building Code Product Approval
FL10185.3-R3 Non-Impact- 6'0" x 24" Transom DP80

FL #	FL10185-R3
Application Type	Revision
Code Version	2010
Application Status	Approved
	*Approved by DBPR. Approvals by DBPR shall be reviewed and ratified by the POC and/or the Commission if necessary.
Comments	
Archived	<input type="checkbox"/>
Product Manufacturer	Nan Ya Plastics Corporation USA
Address/Phone/Email	8989 North Loop East Houston, TX 77029 (713) 674-7822 Ext 105 ajen96@yahoo.com.tw
Authorized Signature	RUSKIN WU ajen96@yahoo.com.tw
Technical Representative	Ruskin Wu
Address/Phone/Email	8989 North Loop East Houston, TX 77029-1217 (713) 674-7822 Ext 105 ajen96@yahoo.com.tw
Quality Assurance Representative	
Address/Phone/Email	
Category	Windows
Subcategory	Fixed
Compliance Method	Certification Mark or Listing
Certification Agency	National Accreditation & Management Institute
Validated By	National Accreditation & Management Institute,

Florida Building Code Product Approval

FL10185.3-R3 Non-Impact- 6'0" x 24" Transom DP80

FL #	Model, Number or Name	Description
10185.3	GTI 6020 GLAZED TRANSOM	GTI 6020 GLAZED TRANSOM VINYL FIXED WINDOW
Limits of Use Approved for use in HVHZ: No Approved for use outside HVHZ: Yes Impact Resistant: No Design Pressure: +80/-80 Other:		Certification Agency Certificate FL10185_R3_C_CAC_NI006558-R2.pdf Quality Assurance Contract Expiration Date 02/28/2016 Installation Instructions FL10185_R3_II_08-01546A.pdf Verified By: Luis Roberto Lomas 62514 Created by Independent Third Party: Yes Evaluation Reports FL10185_R3_AE_512192A.pdf Created by Independent Third Party: Yes

Florida Building Code Product Approval

FL10185.3-R3 Non-Impact- 6'0" x 24" Transom DP80

NOTICE OF PRODUCT CERTIFICATION



CERTIFICATION NO: NI006558-R2
 DATE: 05/25/2006
 CERTIFICATION PROGRAM: Structural
 COMPANY: NanYa
 CODE: 661-1
 REVISION DATE: 04/03/2012

To verify that the "Notice of Product Certification" is valid, please visit www.NAMICertification.com to assure that the product is active and currently listed. This certification represents product conformity to the applicable specification and that certification criteria has been satisfied. Please review and advise NAMI if any corrections are required to this document.

COMPANY NAME AND ADDRESS	PRODUCT DESCRIPTION
Nan Ya Plastics/Plastpro, Inc. 8989 North Loop East Houston, TX 77029	Series "GTI 6020" Glazed Transom Vinyl Fixed Window Configuration: O Glazing: Insulating Glass (Tempered) Frame: W-1810mm(71.2") H-610mm(24") DLO: W-1736mm(68") H-536mm(21")

SPECIFICATION	PRODUCT RATING
AAMA/WDMA 101/I.S.2/A440-05 ASTM F588-04	TR-LC80 FER-Passed

Product Tested By: Architectural Testing, Inc.
 Report No: 62716.01-801-44 (Structural/FER)
 Expiration Date: **February 28, 2016**

Administrator's Signature: _____

**NATIONAL ACCREDITATION AND
 MANAGEMENT INSTITUTE, INC.**
 4794 George Washington Memorial Highway
 Hayes, VA 23072
 Tel: (804) 684-5124
 Fax: (804) 684-5122

Florida Building Code Product Approval

FL10185.3-R3 Non-Impact- 6'0" x 24" Transom DP80

L. Roberto Lomas P.E.

1432 Woodford Rd.
Lewisville, NC 27023
336-945-9695
rlomas@rlomaspe.com

Engineering Evaluation Report

Report No.: 512192A

Manufacturer: Nan Ya Plastics Corporation
8989 North Loop East
Houston, TX 77029

Product Line: GTI 6020 Glazed Transom Vinyl Fixed Window

Compliance:

The above mentioned product has been evaluated for compliance with the requirements of the Florida Department of Community Affairs for Statewide Acceptance per Rule 9N-3.005 method 1(a). The product listed herein complies with requirements of the Florida Building Code.

Supporting Technical Documentation:

1. Approval document: drawing number 08-01546 Revision A, titled GTI 6020 Glazed Transom Vinyl Fixed Window, prepared, signed and sealed by Luis Roberto Lomas P.E.
2. Report No.: ATI-62716.01-801-44 signed by Andy Cost
Architectural Testing Inc., Southlake, TX
AAMA/WDMA/CSA 101/I.S.2/A440-05
Design pressure: ±80.0psf
Water penetration resistance 12.11psf
3. Anchor calculations, report number 512192-1, prepared, signed and sealed by Luis Roberto Lomas P.E.

Limitations and Conditions of use:

- Maximum design pressure: ±80.0psf (GTI 6020)
- Maximum unit size: 71 1/4" x 24" (GTI 6020)
- Units must be glazed per ASTM E 1300-04, see installation instructions for glass options.
- This product is not rated to be used in the HVHZ.
- This product is not impact resistant and requires impact protection in wind borne debris regions.
- Frame material to be foam PVC.

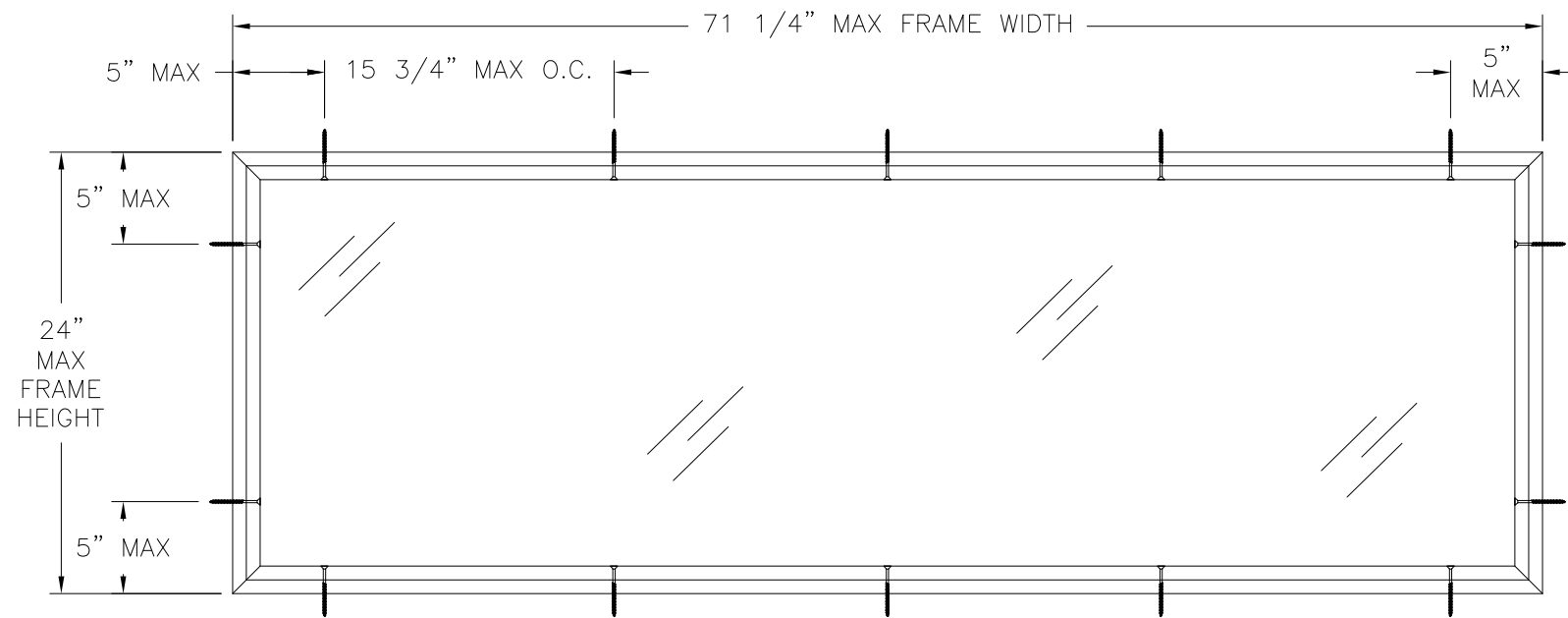
Installation: Units must be installed in accordance with approval document, 08-01546 Revision A.

Certification of Independence: Please note that I don't have nor will acquire a financial interest in any company manufacturing or distributing the product(s) for which this report is being issued. Also, I don't have nor will acquire a financial interest in any other entity involved in the approval process of the listed product(s).



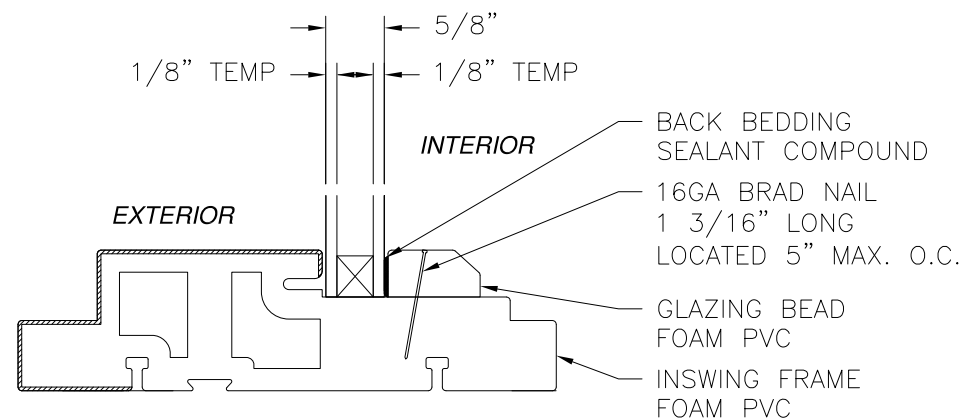
Luis R. Lomas, P.E.
FL No.: 62514
03/25/2013

REVISIONS			
REV	DESCRIPTION	DATE	APPROVED
A	REMOVED TRIPLE UNIT	03/25/13	R.L.



GTI 6020 GLAZED TRANSOM
EXTERIOR VIEW

DESIGN PRESSURE RATING	IMPACT RATING
±80.0PSF	NONE



GLAZING DETAIL

TABLE OF CONTENTS	
SHEET NO.	DESCRIPTION
1	ELEVATIONS AND NOTES
2	INSTALLATION DETAILS

NOTES:

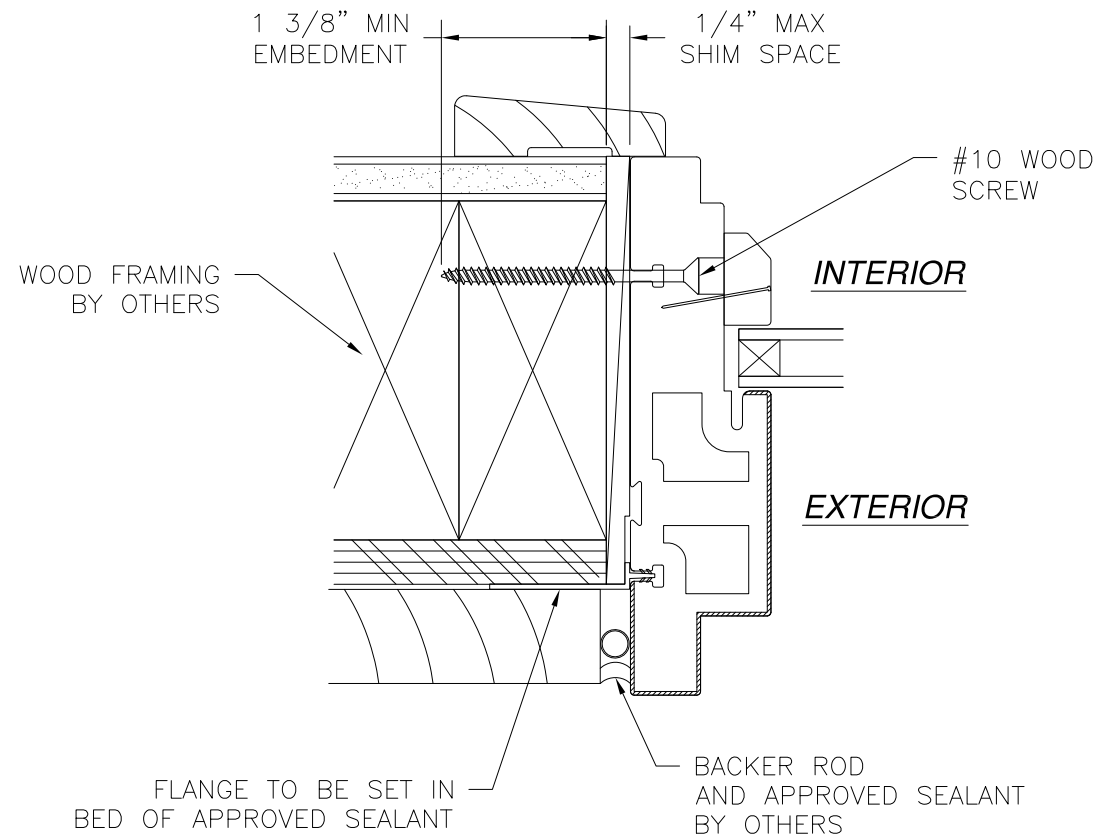
1. THE PRODUCT SHOWN HEREIN IS DESIGNED AND MANUFACTURED TO COMPLY WITH REQUIREMENTS OF THE FLORIDA BUILDING CODE.
2. WOOD FRAMING AND MASONRY OPENING TO BE DESIGNED AND ANCHORED TO PROPERLY TRANSFER ALL LOADS TO STRUCTURE. FRAMING AND MASONRY OPENING IS THE RESPONSIBILITY OF THE ARCHITECT OR ENGINEER OF RECORD.
3. 1X BUCK OVER MASONRY/CONCRETE IS OPTIONAL. WHERE 1X BUCK IS NOT USED DISSIMILAR MATERIALS MUST BE SEPARATED WITH APPROVED COATING OR MEMBRANE. SELECTION OF COATING OR MEMBRANE IS THE RESPONSIBILITY OF THE ARCHITECT OR ENGINEER OF RECORD.
4. ALLOWABLE STRESS INCREASE OF 1/3 WAS NOT USED IN THE DESIGN OF THE PRODUCT SHOWN HEREIN. WIND LOAD DURATION FACTOR Cd=1.6 WAS USED FOR WOOD ANCHOR CALCULATIONS.
5. FRAME MATERIAL: EXTRUDED RIGID FOAM PVC.
6. UNITS MUST BE GLAZED PER ASTM E1300-04, SEE SHEET 1 FOR GLASS OPTIONS.
7. APPROVED IMPACT PROTECTIVE SYSTEM IS REQUIRED FOR THIS PRODUCT IN WIND BORNE DEBRIS REGIONS.
8. SHIM AS REQUIRED AT EACH INSTALLATION ANCHOR WITH LOAD BEARING SHIM. SHIM WHERE SPACE OF 1/16" OR GREATER OCCURS. MAXIMUM ALLOWABLE SHIM STACK TO BE 1/4".
9. FOR ANCHORING INTO WOOD FRAMING OR 2X BUCK USE #10 WOOD SCREWS WITH SUFFICIENT LENGTH TO ACHIEVE A 1 3/8" MINIMUM EMBEDMENT INTO SUBSTRATE. LOCATE ANCHORS AS SHOWN IN ELEVATIONS AND INSTALLATION DETAILS.
10. FOR ANCHORING INTO MASONRY/CONCRETE USE 3/16" TAPCONS WITH SUFFICIENT LENGTH TO ACHIEVE A 1 1/4" MINIMUM EMBEDMENT INTO SUBSTRATE WITH 2 5/8" MINIMUM EDGE DISTANCE. LOCATE ANCHORS AS SHOWN IN ELEVATIONS AND INSTALLATION DETAILS.
11. ALL FASTENERS TO BE CORROSION RESISTANT.
12. INSTALLATION ANCHORS SHALL BE INSTALLED IN ACCORDANCE WITH ANCHOR MANUFACTURER'S INSTALLATION INSTRUCTIONS AND ANCHORS SHALL NOT BE USED IN SUBSTRATES WITH STRENGTHS LESS THAN THE MINIMUM STRENGTH SPECIFIED BELOW:
 - A. WOOD – MINIMUM SPECIFIC GRAVITY OF G=0.42
 - B. CONCRETE – MINIMUM COMPRESSIVE STRENGTH OF 3,192 PSI.
 - C. MASONRY – STRENGTH CONFORMANCE TO ASTM C-90, GRADE N, TYPE 1 (OR GREATER).
13. TRANSOM UNITS MAY BE INSTALLED VERTICALLY OR HORIZONTALLY.

SIGNED: 03/25/2013

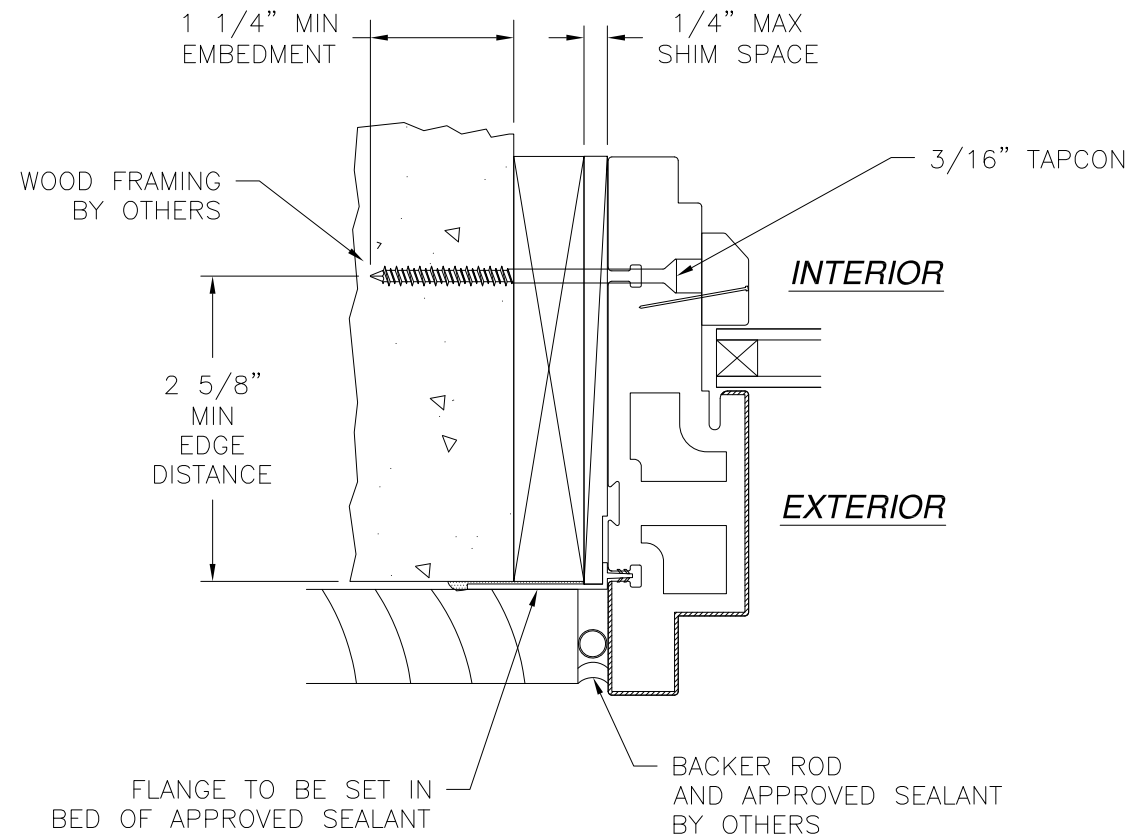
NAN YA PLASTICS CORP. USA 8989 NORTH LOOP EAST HOUSTON, TX 77029		
GTI 6020 GLAZED TRANSOM VINYL FIXED WINDOW ELEVATION AND NOTES		
DRAWN: V.L.	DWG NO. 08-01546	REV A
SCALE NTS	DATE 04/13/12	SHEET 1 OF 2



REVISIONS			
REV	DESCRIPTION	DATE	APPROVED
A	REMOVED TRIPLE UNIT	03/25/13	R.L.



HORIZONTAL CROSS SECTION
2X BUCK/WOOD FRAMING INSTALLATION
JAMB SHOWN HEAD AND SILL SIMILAR



HORIZONTAL CROSS SECTION
MASONRY/CONCRETE INSTALLATION
JAMB SHOWN HEAD AND SILL SIMILAR

NAN YA PLASTICS CORP. USA
 8989 NORTH LOOP EAST
 HOUSTON, TX 77029

GTI 6020 GLAZED TRANSOM
 VINYL FIXED WINDOW
 INSTALLATION DETAILS

DRAWN: V.L.	DWG NO. 08-01546	REV A
SCALE NTS	DATE 04/13/12	SHEET 2 OF 2

