

TEXAS DEPARTMENT OF INSURANCE

Engineering Services Program / MC 103-3A 333 Guadalupe Street P.O. Box 149104 Austin, Texas 78714-9104
Phone No. (512) 322-2212 Fax No. (512) 463-6693

PRODUCT EVALUATION
DR-653

Effective Date: November 1, 2013
Reevaluation Date: **March 2016**

The following product has been evaluated for compliance with the wind loads specified in the **International Residential Code (IRC)** and the **International Building Code (IBC)**.

This product evaluation is not an endorsement of this product or a recommendation that this product be used. The Texas Department of Insurance has not authorized the use of any information contained in the product evaluation for advertising, or other commercial or promotional purpose.

This product evaluation is intended for use by those individuals who are following the design wind load criteria in Chapter 3 of the IRC and Section 1609 of the IBC. The design loads determined for the building or structure shall not exceed the design load rating specified for the products shown in the limitations section of this product evaluation. This product evaluation does not relieve a Texas licensed engineer of his responsibilities as outlined in the Texas Insurance Code, the Texas Administrative Code and the Texas Engineering Practice Act.

Series SRS Fiberglass Gliding Patio Doors with Field Mullion with Sidelite, Non-impact Resistant, manufactured by

Nan Ya Plastics Corporation USA / Neuma Doors
8989 North Loop East
Houston, Texas 77029
Telephone: (713) 674-7822

General Description:

System	Description	Label Rating	Design Pressure Rating
1	Series SRS Fiberglass Gliding Patio Doors with Field Mullion with Sidelite	R-PG50 146 x 96-SD	+50/-50 psf

Product Dimensions:

System	Overall Size	Active/Passive Panel Size	Sidelite Panel Size	Glass Daylight Opening Size
1	145.375" x 95.50"	Two: 47.75" x 92.375"	One: 47.75" x 92.375"	37.00" x 79.00"

Product Identification (Certification Agency Label on Door):

System		
1	Certification Agency	NAMI
	Manufacturer's Name or Code Name	Nan Ya Plastics USA
	Product Name	SRS Gliding Fiberglass Patio Door w/Field Mullion w/ or w/o Sidelites
	Test Standards	AAMA/WDMA/CSA 101/I.S.2/A440-08

Impact Resistance:

Impact Resistant	Requirement
No	Impact protective system required when product is installed in areas where windborne debris protection is required

Qualified Configurations: O / X / OX / XO / OXO. Sidelites may be installed without doors.

Installation:

Design Drawings: The doors shall be installed in accordance with Drawing No. 08-01540, titled "Series SRS Gliding Patio Door w/Field Mullion Fiberglass Sliding Door w/Sidelite," sheets 1 through 5 of 5, dated May 14, 2012, signed and sealed by Luis R. Lomas., P.E on May 16, 2012. The stated drawings will be referred to as the approved drawings in this evaluation report.

Wall Framing Construction: The doors may be mounted to several types of wall framing construction. The types of wall framing construction allowed include:

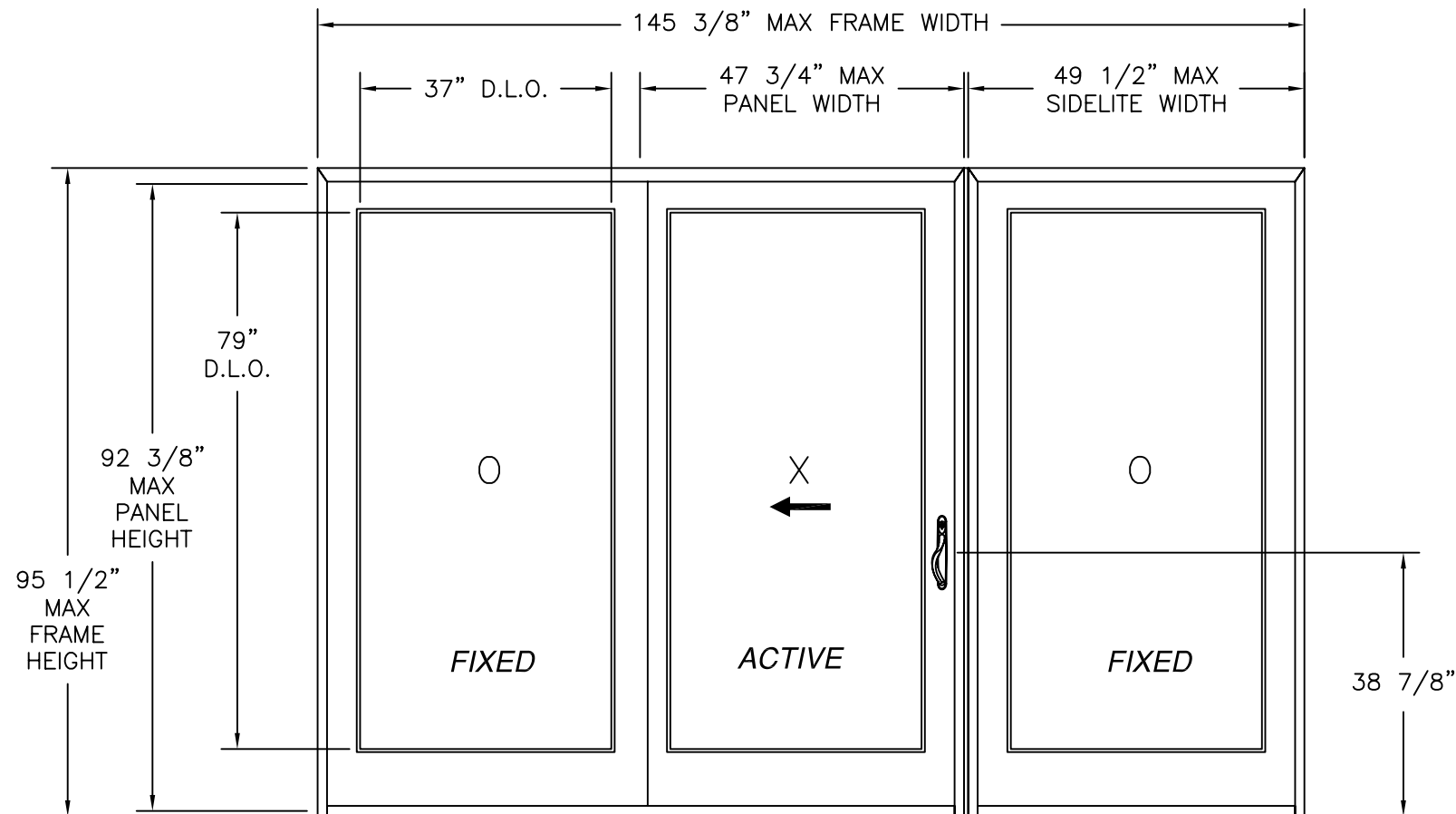
- Concrete (minimum compressive strength: 3,192 psi)
- Hollow concrete block; ASTM C-90, Grade N, Type 1 (or greater)
- Wood dimension lumber (minimum Spruce-Pine-Fir)

Installation:

- Refer to Sheet 1 of 5 of the approved drawings for the elevation and notes.
- Refer to Sheet 2 of 5 of the approved drawings for the anchor layout and notes.
- Refer to Sheets 4 of 5, and 5 of 5 of the approved drawings for installation details.
- The approved drawings indicate the minimum embedment depths for the fasteners and the minimum edge distances (minimum distance fastener must be from the edge of the substrate material) for the fasteners.

Note: The manufacturer's installation instructions shall be available on the job site during installation. All fasteners shall be corrosion resistant as specified in the International Residential Code (IRC), the International Building Code (IBC), and the Texas Revisions.

REVISIONS			
REV	DESCRIPTION	DATE	APPROVED



NOTES:

1. THE PRODUCT SHOWN HEREIN IS DESIGNED AND MANUFACTURED TO COMPLY WITH REQUIREMENTS OF THE 2006 IRC, 2006 IBC WITH STATE OF TEXAS MODIFICATIONS.
2. WOOD FRAMING AND MASONRY OPENING TO BE DESIGNED AND ANCHORED TO PROPERLY TRANSFER ALL LOADS TO STRUCTURE. FRAMING AND MASONRY OPENING IS THE RESPONSIBILITY OF THE ARCHITECT OR ENGINEER OF RECORD.
3. 1X BUCK OVER MASONRY/CONCRETE IS OPTIONAL. WHERE 1X BUCK IS NOT USED DISSIMILAR MATERIALS MUST BE SEPARATED WITH APPROVED COATING OR MEMBRANE. SELECTION OF COATING OR MEMBRANE IS THE RESPONSIBILITY OF THE ARCHITECT OR ENGINEER OF RECORD.
4. UNITS MUST BE GLAZED PER ASTM E1300-04, SEE SHEET 3 FOR GLASS OPTIONS.
5. APPROVED IMPACT PROTECTIVE SYSTEM IS REQUIRED FOR THIS PRODUCT IN WIND BORNE DEBRIS REGIONS.
6. FRAME JAMB AND HEAD MATERIAL: CO-EXTRUDED PVC FOAM 1 1/2" THICK.
7. FRAME SILL MATERIAL: CO-EXTRUDED PVC FOAM 2" THICK WITH ALUMINUM CLADDING .063" THICK.
8. DOOR PANEL AND SIDELITE MATERIAL: .075" THICK FIBERGLASS SKIN WITH PVC FOAM TOP AND BOTTOM RAILS, AND PVC FOAM VERTICAL STILES WITH PINE REINFORCEMENTS AND POLYURETHANE FOAM CORE.
9. APPROVED CONFIGURATIONS: OX, XO, AND OXO. SEE SHEET 2.

SERIES SRS GLIDING PATIO DOOR W/FIELD MULLION W/ SIDELITE
EXTERIOR VIEW

DESIGN PRESSURE RATING	IMPACT RATING
±50PSF	NONE

SIGNED: 05/16/2012

TABLE OF CONTENTS	
SHEET NO.	DESCRIPTION
1	OX/O ELEVATION AND NOTES
2	ADDITIONAL CONFIGURATIONS ANCHOR LAYOUTS & HARDWARE
3 - 5	INSTALLATION DETAILS

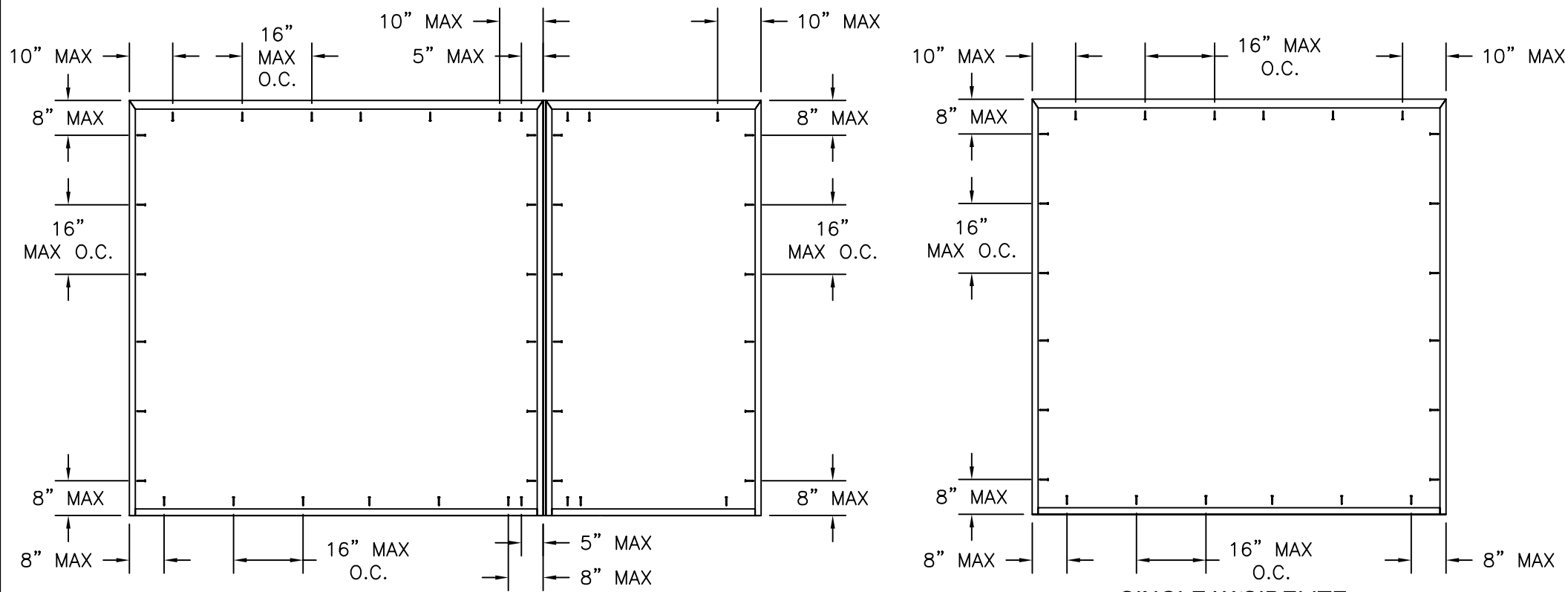
NAN YA PLASTIC CORP. USA
8989 NORTH LOOP EAST
HOUSTON, TX 77029

SERIES SRS GLIDING PATIO DOOR W/ FIELD MULLION
FIBERGLASS SILDING DOOR W/ SIDELITE
OX/O ELEVATION AND NOTES

DRAWN: LMP	DWG NO. 08-01540	REV -
SCALE NTS	DATE 05/14/2012	SHEET 1 OF 5



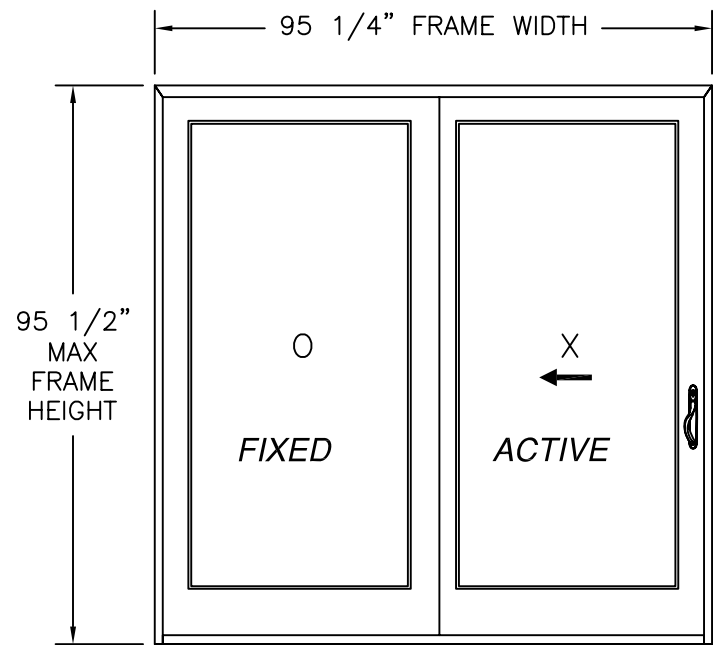
Luis R. Lomas P.E.
Texas No. 101889



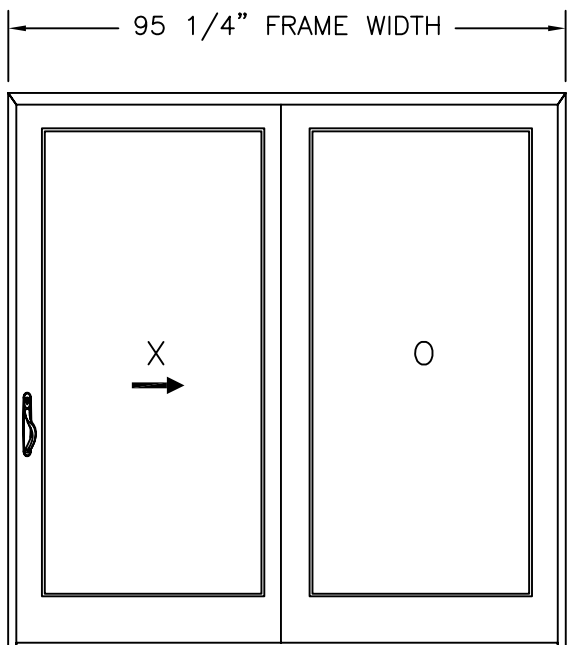
SINGLE W/SIDELITES (MULL)
EXTERIOR VIEW

SINGLE W/SIDELITE
EXTERIOR VIEW

REVISIONS			
REV	DESCRIPTION	DATE	APPROVED



SINGLE W/SIDELITE
EXTERIOR VIEW



SINGLE W/SIDELITE
EXTERIOR VIEW

ANCHORING NOTES:

1. SHIM AS REQUIRED AT EACH INSTALLATION ANCHOR WITH LOAD BEARING SHIM. SHIM WHERE SPACE OF 1/16" OR GREATER OCCURS. MAXIMUM ALLOWABLE SHIM STACK TO BE 1/4".
2. FOR ANCHORING INTO WOOD FRAMING OR 2X BUCK USE #10 WOOD SCREWS WITH SUFFICIENT LENGTH TO ACHIEVE A 1 3/8" MINIMUM EMBEDMENT INTO SUBSTRATE. LOCATE ANCHORS AS SHOWN IN ELEVATIONS AND INSTALLATION DETAILS.
3. FOR ANCHORING INTO MASONRY/CONCRETE USE 3/16" TAPCONS WITH SUFFICIENT LENGTH TO ACHIEVE A 1 1/4" MINIMUM EMBEDMENT INTO SUBSTRATE WITH 2 5/8" MINIMUM EDGE DISTANCE. LOCATE ANCHORS AS SHOWN IN ELEVATIONS AND INSTALLATION DETAILS.
4. ALL FASTENERS TO BE CORROSION RESISTANT.
5. INSTALLATION ANCHORS SHALL BE INSTALLED IN ACCORDANCE WITH ANCHOR MANUFACTURER'S INSTALLATION INSTRUCTIONS AND ANCHORS SHALL NOT BE USED IN SUBSTRATES WITH STRENGTHS LESS THAN THE MINIMUM STRENGTH SPECIFIED BELOW:
 - A. WOOD – MINIMUM SPECIFIC GRAVITY OF G=0.42
 - B. CONCRETE – MINIMUM COMPRESSIVE STRENGTH OF 3,192 PSI.
 - C. MASONRY – STRENGTH CONFORMANCE TO ASTM C-90, GRADE N, TYPE 1 (OR GREATER).

HARDWARE SCHEDULE	
A.	4 POINT LOCKING SYSTEM
B.	(1) DIE CAST HANDLE SET
C.	(2) STAINLESS STEEL TANDEM ROLLERS
D.	ALUMINUM & PVC FOAM ASTRAGAL BY NAN YA PLASTICS
E.	ALUMINUM & PVC FOAM MULLION BY NAN YA PLASTICS

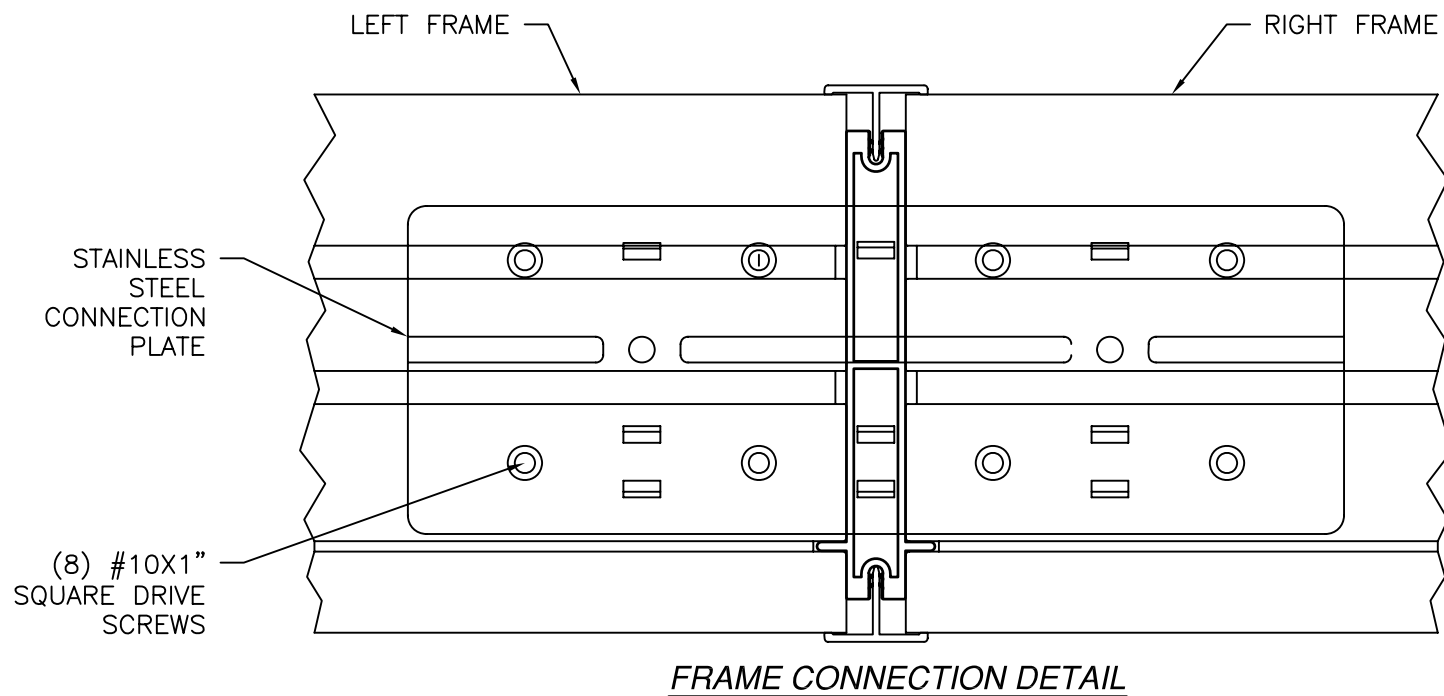
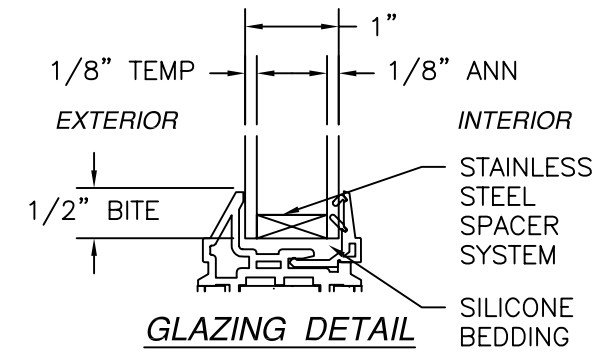
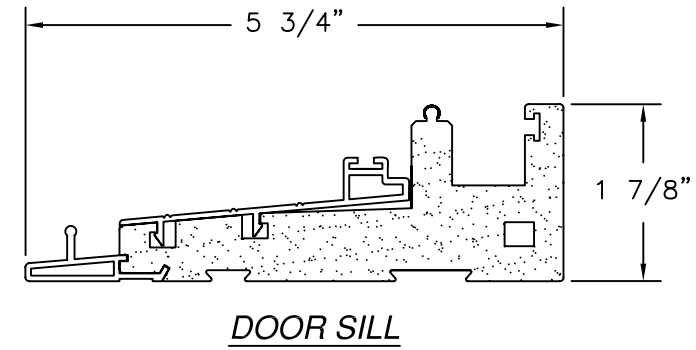
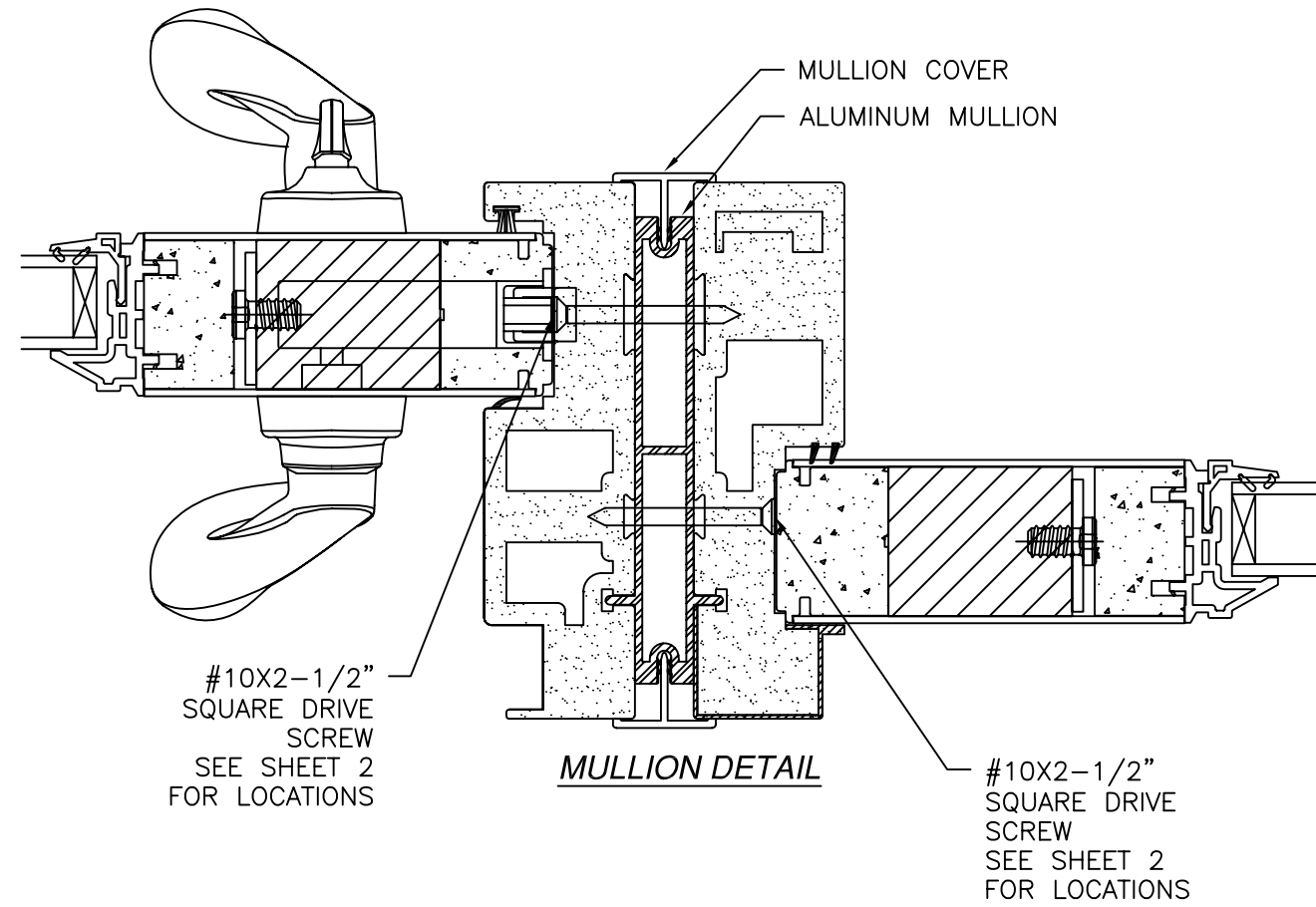
NAN YA PLASTIC CORP. USA
8989 NORTH LOOP EAST
HOUSTON, TX 77029

**SERIES SRS GLIDING PATIO DOOR W/ FIELD MULLION
FIBERGLASS SLIDING DOOR W/ SIDELITE
ADDITIONAL CONFIGURATIONS AND HARDWARE**

DRAWN: LMP	DWG NO. 08-01540	REV -
SCALE NTS	DATE 05/14/2012	SHEET 2 OF 5

Luis R. Lomas P.E.
Texas No. 101889

REVISIONS			
REV	DESCRIPTION	DATE	APPROVED



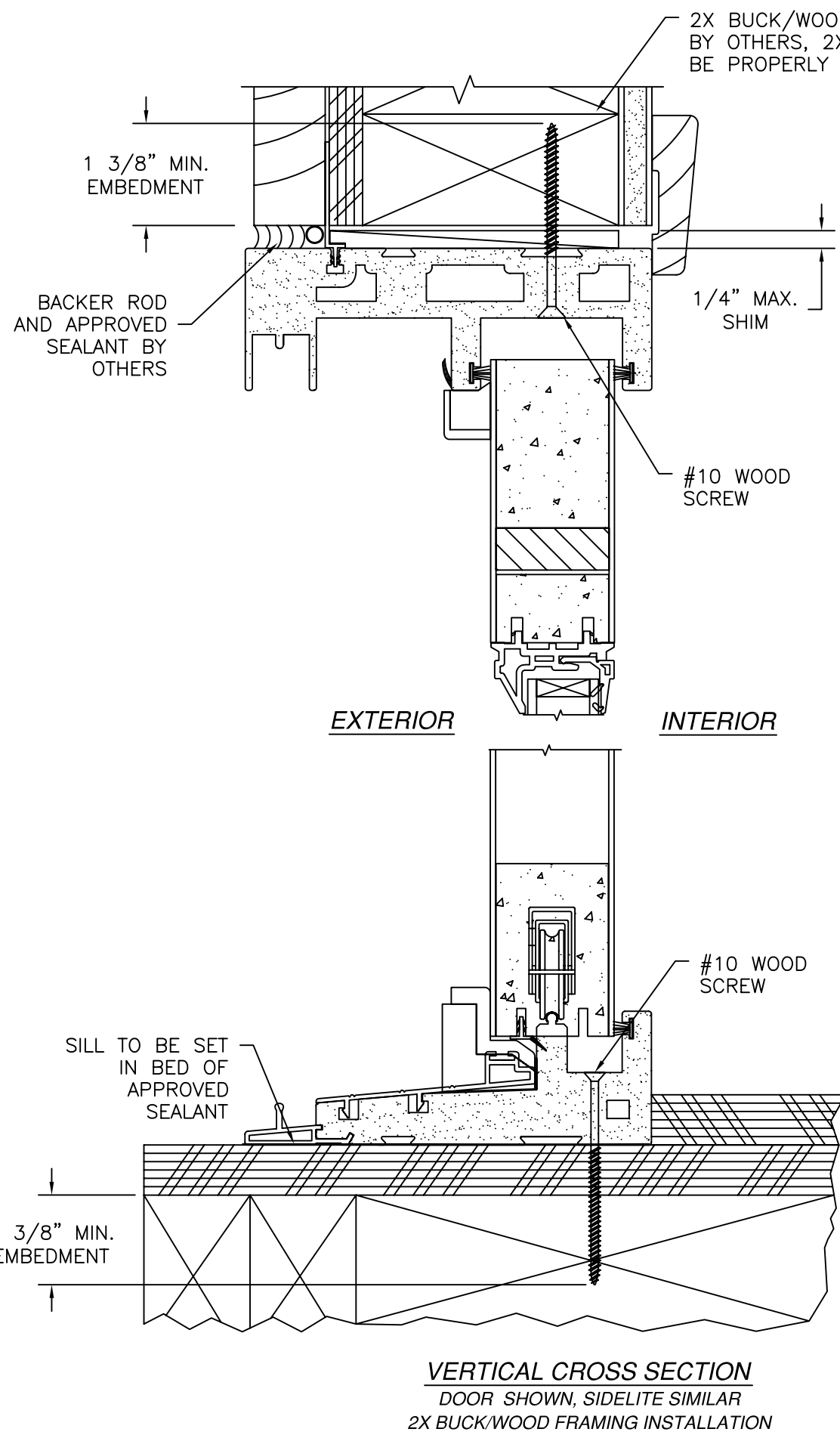
NAN YA PLASTIC CORP. USA
8989 NORTH LOOP EAST
HOUSTON, TX 77029

SERIES SRS GLIDING PATIO DOOR W/ FIELD MULLION
FIBERGLASS SIDLING DOOR W/ SIDELITE
INSTALLATION DETAILS

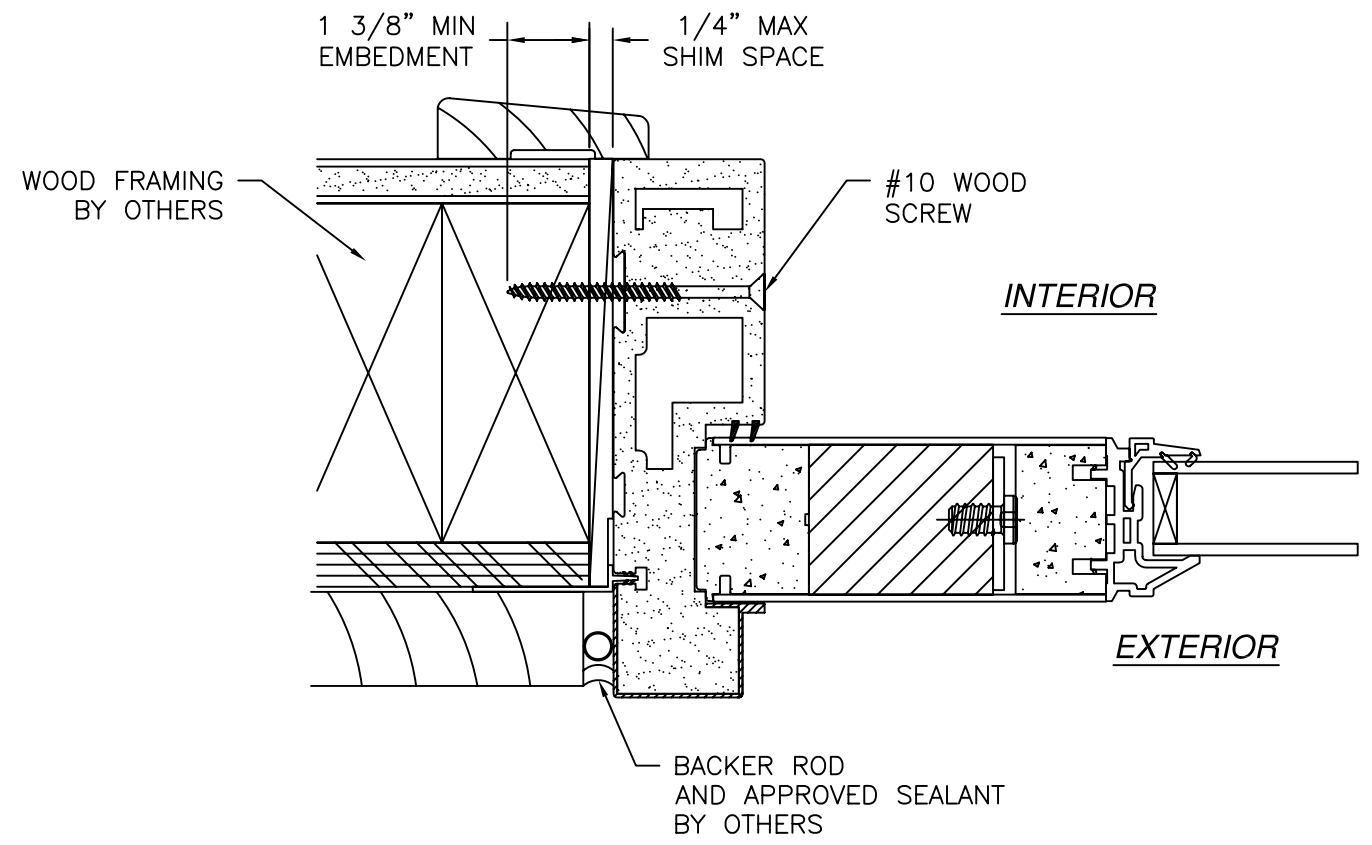
DRAWN: LMP	DWG NO. 08-01540	REV -
SCALE NTS	DATE 05/14/2012	SHEET 3 OF 5

Luis R. Lomas P.E.
Texas No. 101889

REVISIONS			
REV	DESCRIPTION	DATE	APPROVED



VERTICAL CROSS SECTION
 DOOR SHOWN, SIDELITE SIMILAR
 2X BUCKWOOD FRAMING INSTALLATION



HORIZONTAL CROSS SECTION
 2X BUCKWOOD FRAMING INSTALLATION

NAN YA PLASTIC CORP. USA
 8989 NORTH LOOP EAST
 HOUSTON, TX 77029

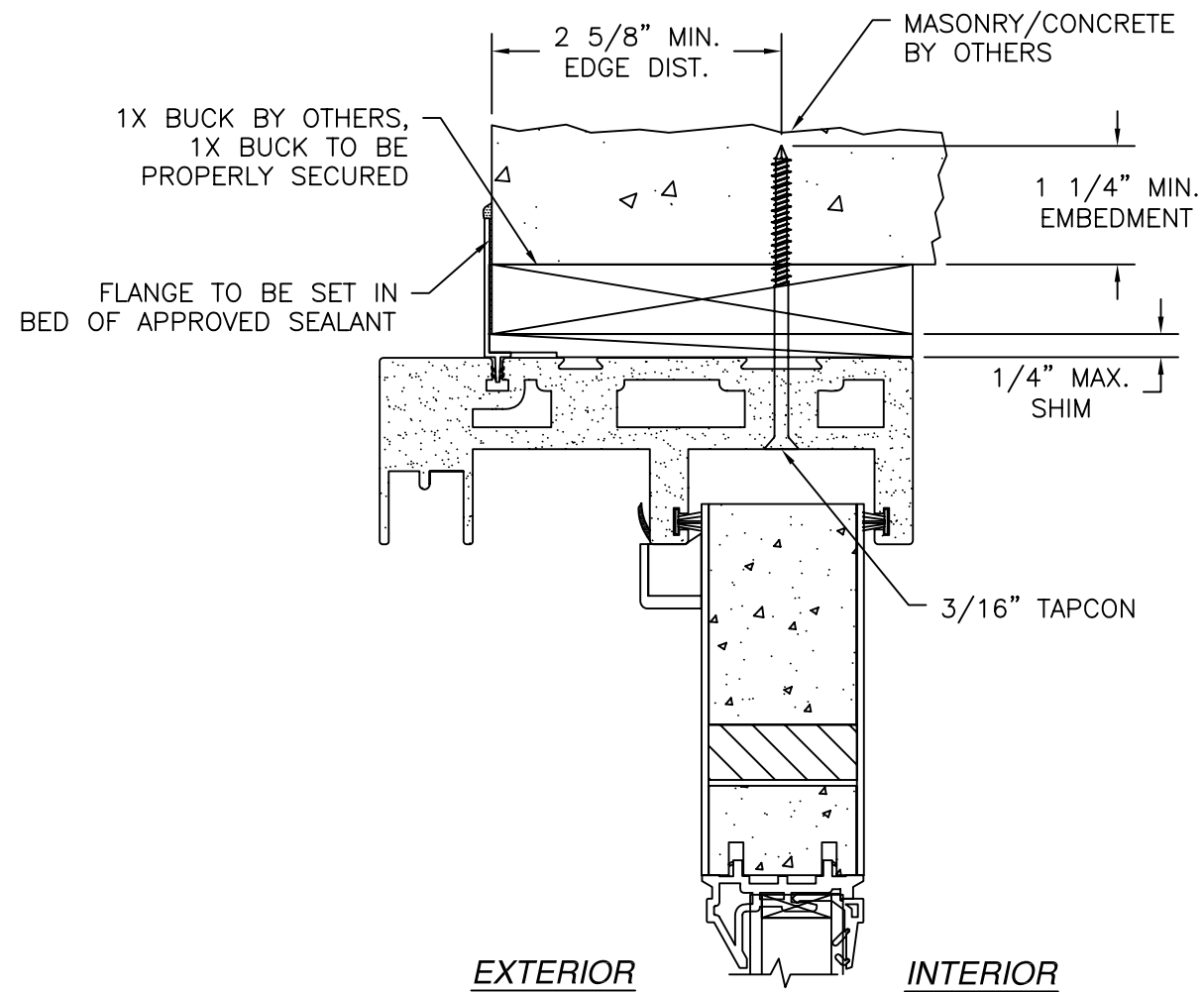
SERIES SRS GLIDING PATIO DOOR W/ FIELD MULLION
 FIBERGLASS SIDLING DOOR W/ SIDELITE
 INSTALLATION DETAILS

DRAWN: LMP	DWG NO. 08-01540	REV -
SCALE NTS	DATE 05/14/2012	SHEET 4 OF 5

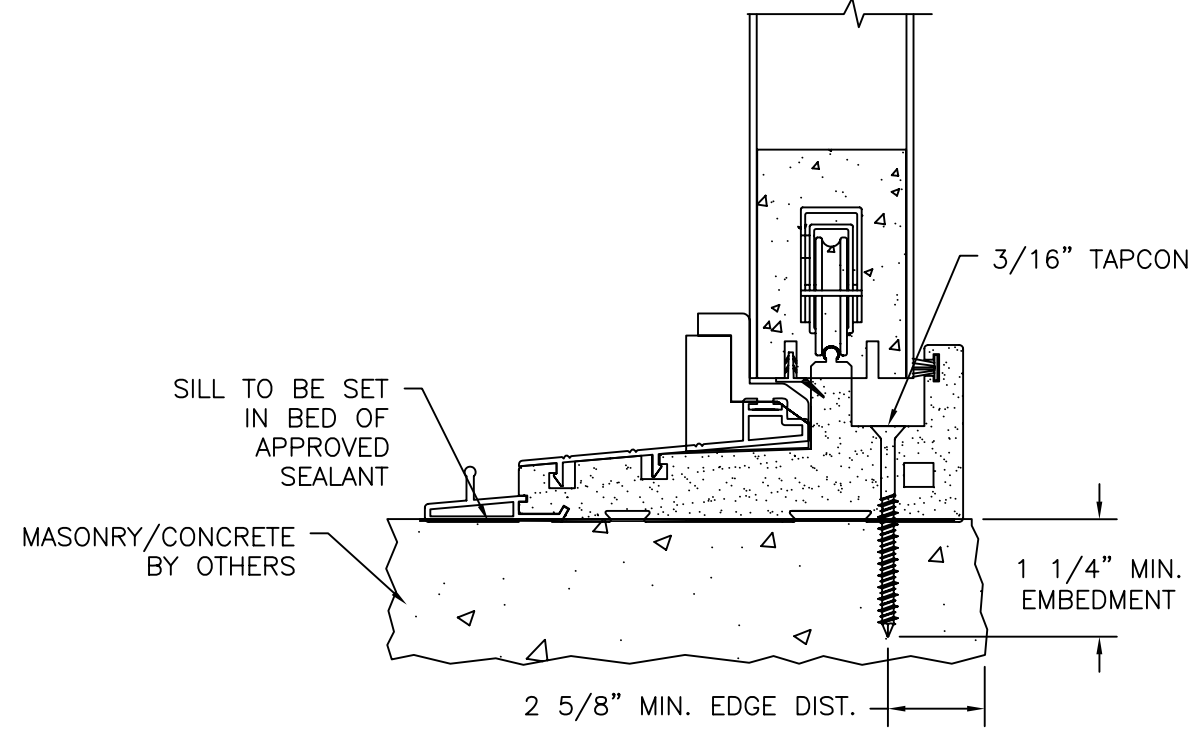


Luis R. Lomas P.E.
 Texas No. 101889

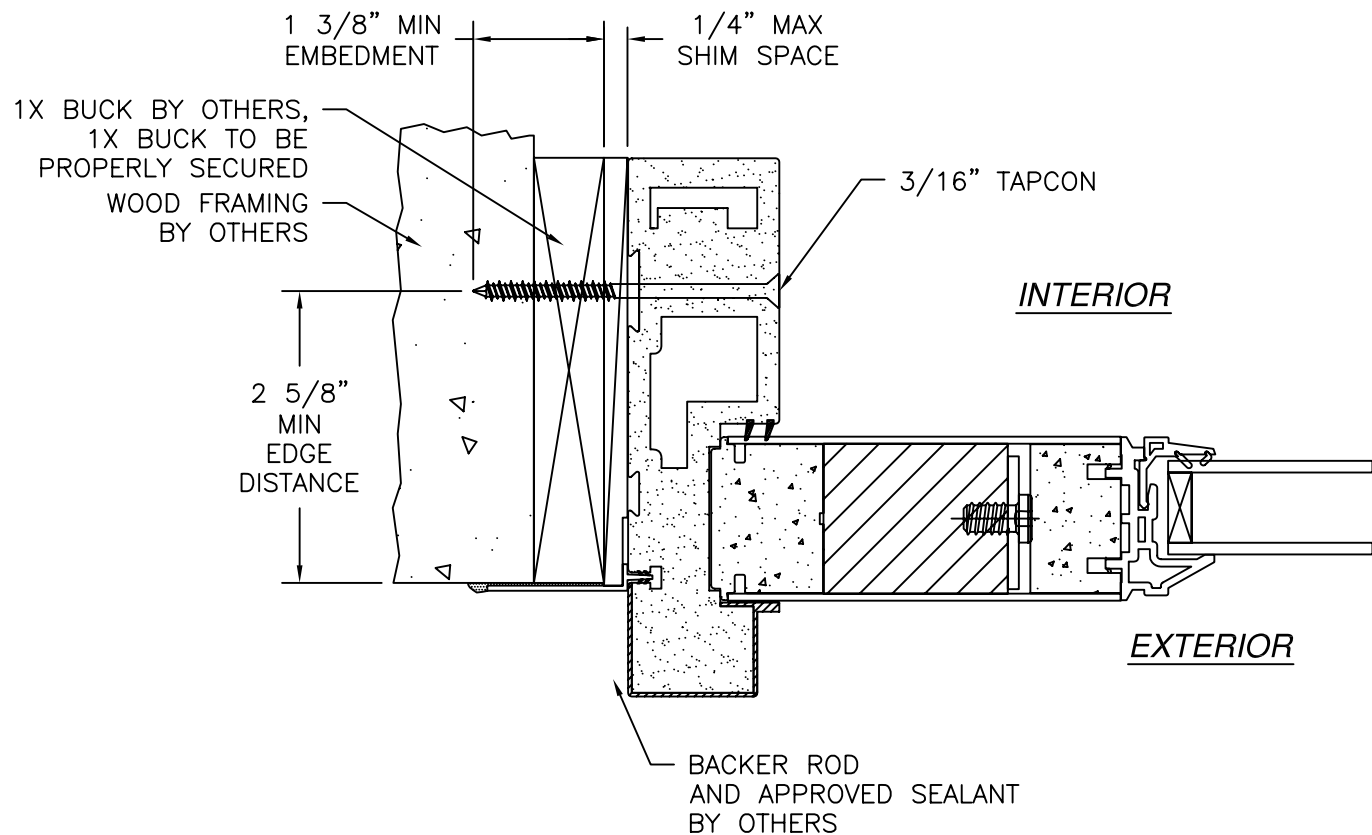
REVISIONS			
REV	DESCRIPTION	DATE	APPROVED



EXTERIOR *INTERIOR*



VERTICAL CROSS SECTION
MASONRY/CONCRETE INSTALLATION
DOOR SHOWN SIDELITE SIMILAR



HORIZONTAL CROSS SECTION
MASONRY/CONCRETE INSTALLATION

NAN YA PLASTIC CORP. USA
8989 NORTH LOOP EAST
HOUSTON, TX 77029

SERIES SRS GLIDING PATIO DOOR W/ FIELD MULLION
FIBERGLASS SILDING DOOR W/ SIDELITE
INSTALLATION DETAILS

DRAWN: LMP	DWG NO. 08-01540	REV -
SCALE NTS	DATE 05/14/2012	SHEET 5 OF 5

Luis R. Lomas P.E.
Texas No. 101889